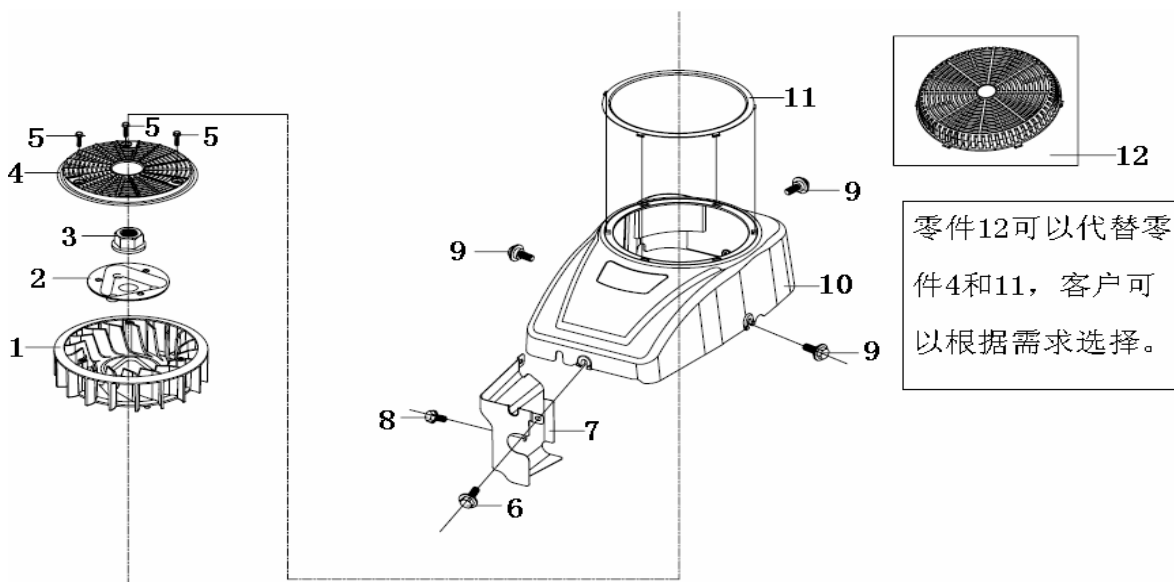
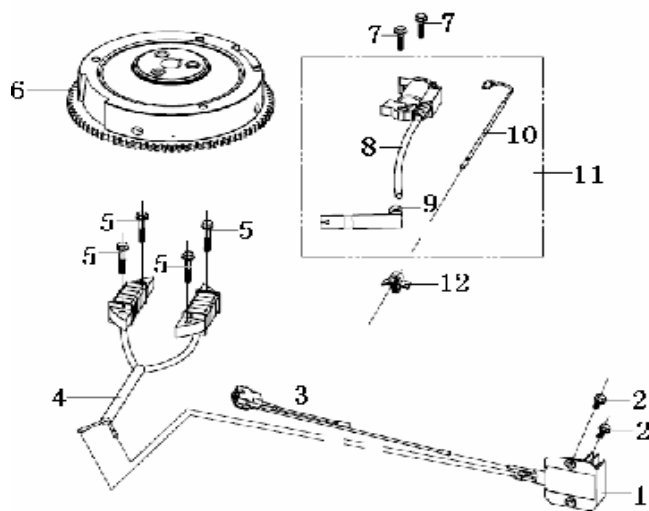


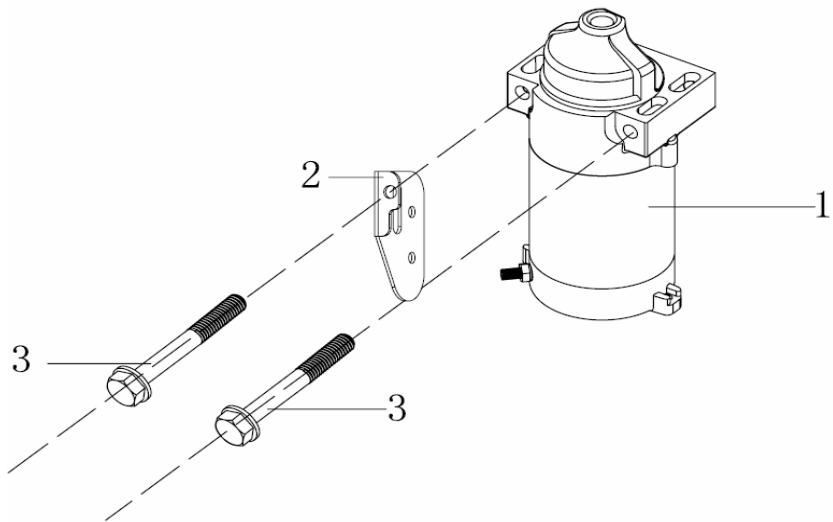
Gear Box Assy			
NO	ART	NAME	QTY
1	U092-F0001	Pin,Dowel	2
2	U092-F0004	Gasket,Cylinder	1
3	U092-F0005	Bolt,Stud	2
4	U092-F0007	Head Comp.,Cylinder	1
5	U092-F0008	Spark Plug	1
6	U092-F0009	Bolt,Cylinder Head	4
7	U092-F0010	Packing,Head Cover	1
8	U092-F0011	Cover Comp.,Head,Left	1
9	U092-F0012	Bolt,Hexagonal 6×16.5-8×3.5	4



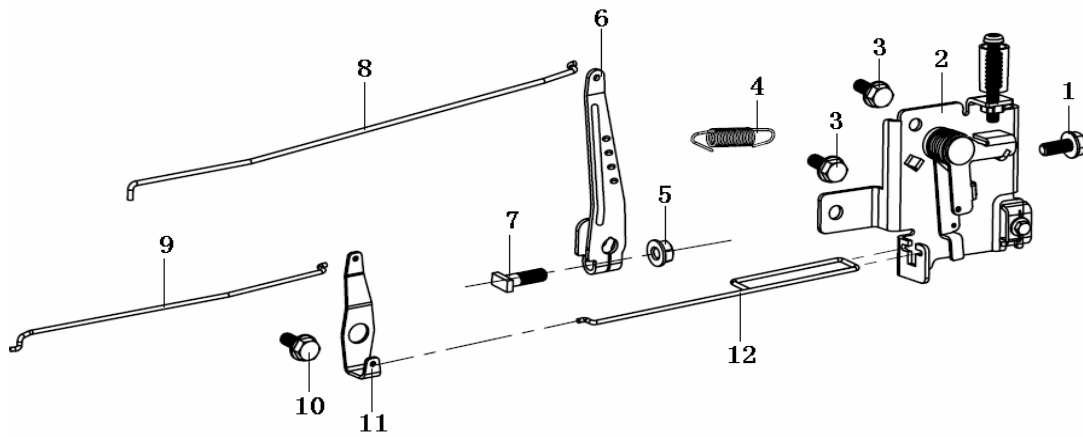
Blower Housing			
NO	ART	NAME	QTY
1	U092-F0013	Fan,Cooling	1
2	U092-F0014	Pulley,Starter	1
3	U092-F0015	Nut,Special	1
4	U092-F0016	Fan,Cover	1
5	U092-F0017	Bolt,Hexagonal	1
6	U092-F0018	Shroud Comp	1
7	U065-FA097	Bolt,Flange,M6×12	1
8	U092-F0019	Bolt,Hexagonal	3
9	U092-F0020	Cover Comp.,Fan	1
10	U092-F0021	Retaining Ring,Housing	1
11	U092-F0022	Case,Starter Outer	1



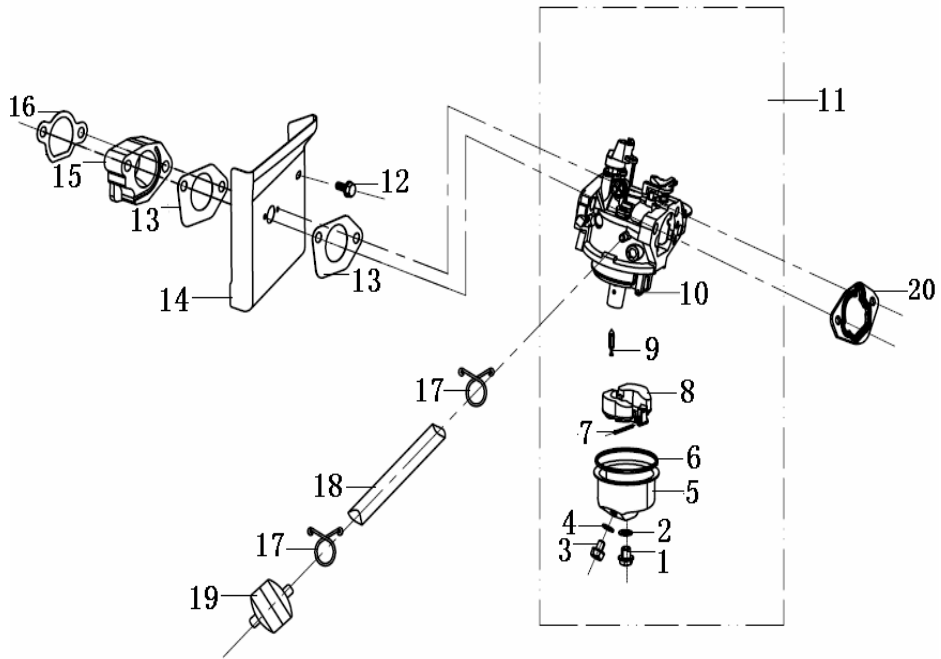
Flywheel			
NO	ART	NAME	QTY
1	U092-F0023	Rectifier	1
2	U065-FA097	Bolt,Flange M6×12	2
3	U092-F0024	Output Wire,Rectifier	1
4	U092-F0025	Coil Assy,Charge	1
5	U092-F0026	Bolt,Flange M6×30	4
6	U092-F0027	Flywheel Comp	1
7	U077-F0061	Bolt,Flange M6×25	2
8	U092-F0028	Coil,Ignition	1
9	U092-F0029	Rubber,Spark Plug Cap	1
10	U092-F0030	Wire,Stopping Engine	1
11	U092-F0031	Coil Assy,Ignition	1



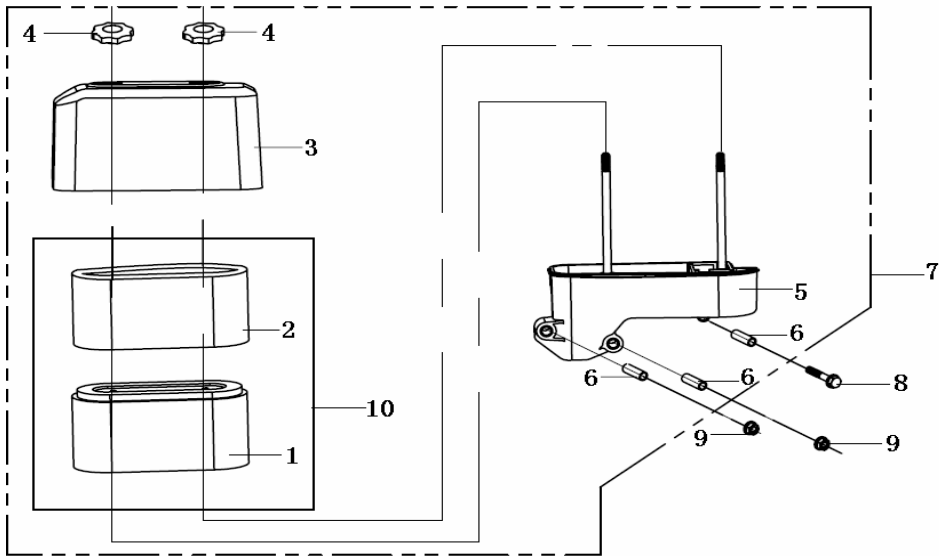
Starting Motor Assy			
NO	ART	NAME	QTY
1	U092-F0032	Starter Motor	1
2	U092-F0033	Bracket	1
3	U077-F0102	Bolt, Flange M8x80	2



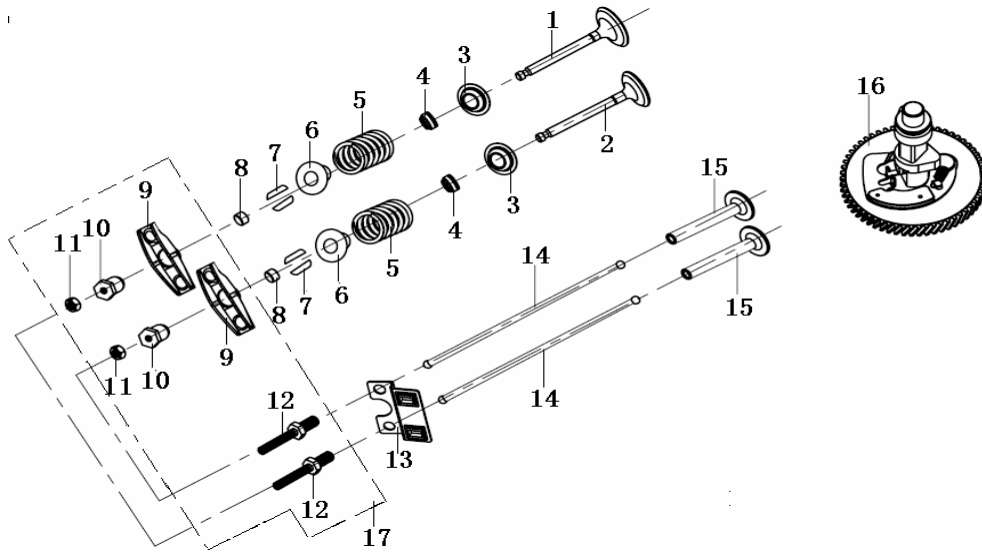
Governor			
NO	ART	NAME	QTY
1	U092-F0034	Bolt M6×16	1
2	U092-F0035	Contorl assy	1
3	U065-FE021	Bolt,Flange M6×14	2
4	U092-F0036	Spring,Governor	1
5	U065-FA065	Nut,Flange M6	1
6	U092-F0037	Arm,Governor	1
7	U092-F0038	Bolt,Governor Arm	1
8	U092-F0039	Rod,Governor	1
9	U092-F0040	Rod,Choke	1
10	U092-F0041	Bolt,Hexagonal	1
11	U092-F0042	Stay Comp.,Choke	1
12	U092-F0043	Rod,Throttle	1



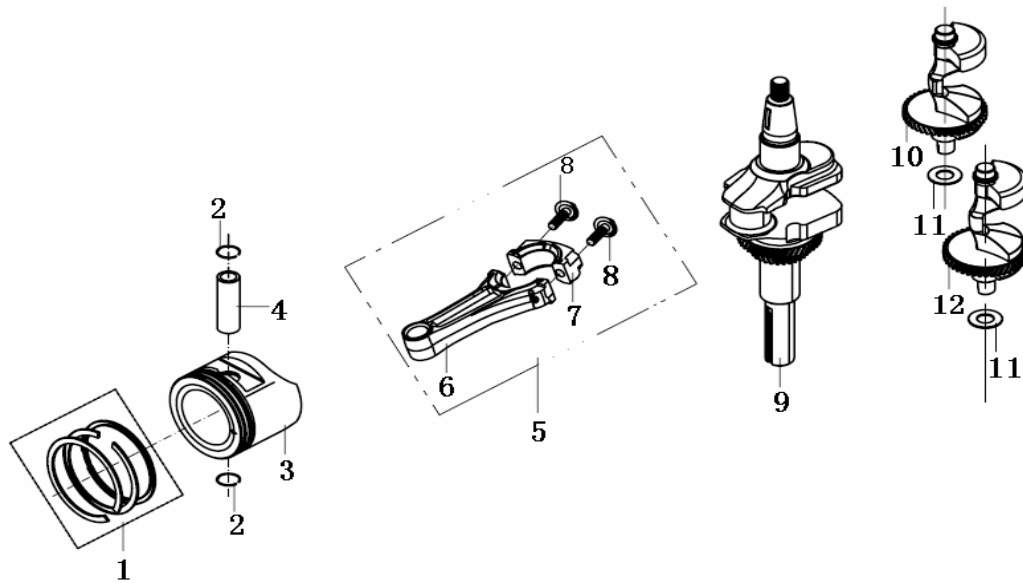
Carburetor			
NO	ART	NAME	QTY
1	U092-F0044	Bolt,Oil Cup	1
2	U092-F0045	Washer,oil cup bolt	1
3	U092-F0046	Drain Plug,Oil Cup	1
4	U092-F0047	Gasket,Oil Cup	1
5	U092-F0048	Oil cup	1
6	U092-F0049	Gasket,Oil Cup	1
7	U092-F0050	Pin,Float	1
8	U092-F0051	Float	1
9	U092-F0052	Valve,Float	1
10	U092-F0053	Noumenon,Carburetor	1
11	U092-F0077	Carburetor Assy	1
12	U065-FA097	Bolt, Flange	1
13	U092-F0079	Packing,Carburetor	2
14	U092-F0058	Shroud Comp	1
15	U092-F0059	Insulatir,Carburetor	1
16	U092-F0060	Packing,Carburetor	1
17	U092-F0061	Tube	2
18	U092-F0062	Oil Pipeline11*6.5*50	1
19	U092-F0063	Strainer,Fuel	1
20	U092-F0064	Packing,Carburetor	1



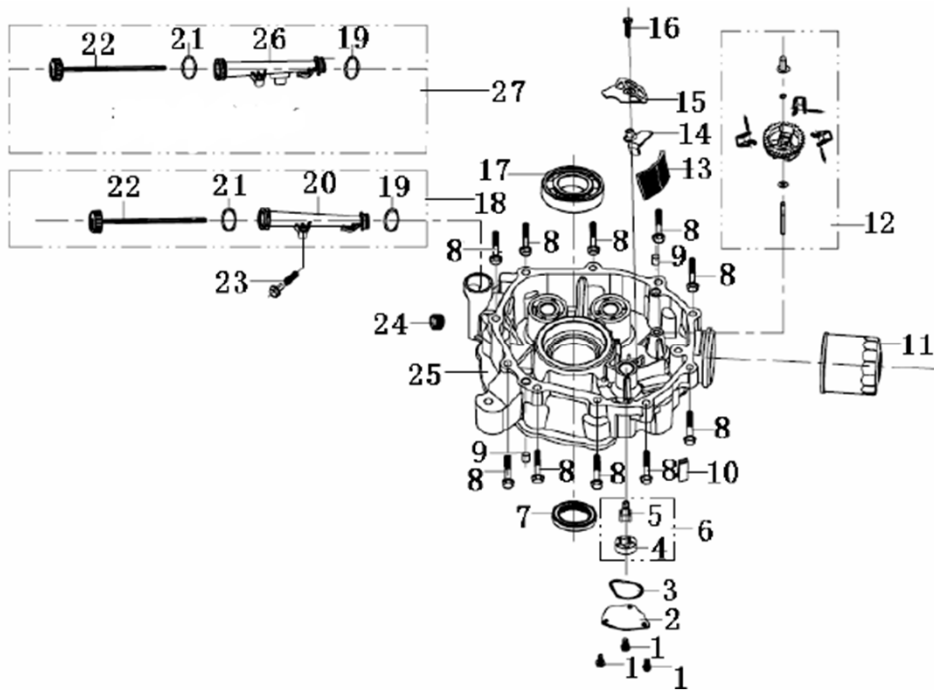
Air Cleaner			
NO	ART	NAME	QTY
1	U092-F0094	Element	1
2	U092-F0095	Filter,outer	1
3	U092-F0096	Cover,Air Cleaner	1
4	U075-F0075	Handle,Air Cleaner Bolt	2
5	U092-F0097	Elbow comp.,air cleaner	1
6	U092-F0098	Collar,Long	3
7	U092-F0099	Air Cleaner Assy	1
8	U092-F0100	Bolt,Flange M6×35	1
9	U092-F0101	Nut M6	2
10	U092-F0102	Element,Left	1



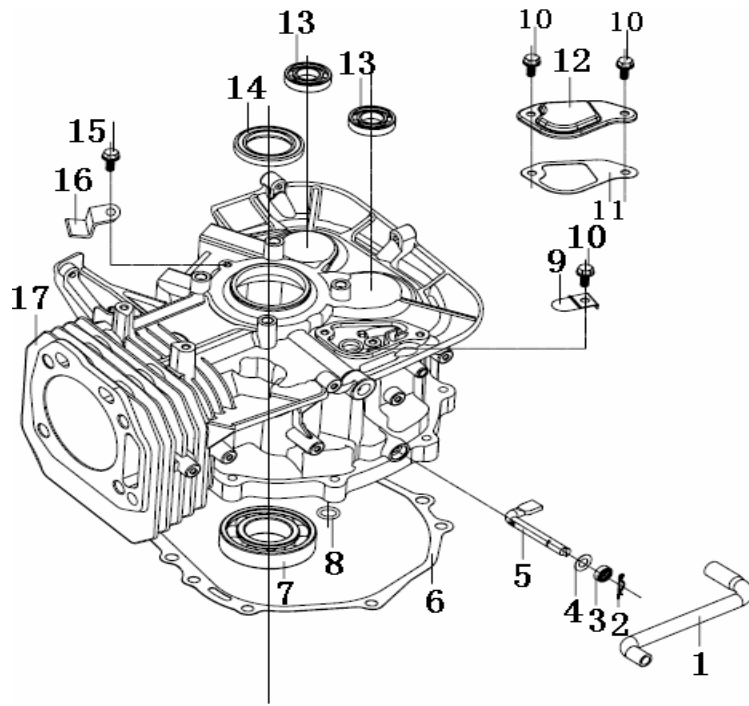
Valve			
NO	ART	NAME	QTY
1	U092-F0104	Valve,In.	1
2	U092-F0106	Valve,Ex.	1
3	U092-F0107	Seat,Valve Spring	2
4	U092-F0108	Seal,Valve Stem	2
5	U092-F0109	Spring,Valve	2
6	U092-F0110	Retainer,Ex.Valve Spring	2
7	U092-F0111	Valve Keeper	4
8	U092-F0114	Rocker Arm	2
9	U092-F0115	Pivot Rocker Arm	2
10	U092-F0116	Nut,Pivot Adjusting	2
11	U092-F0117	Bolt Povit	2
12	U092-F0119	Plate,Assy	1
13	U092-F0120	Rod Push	2
14	U092-F0121	Lifter,Valve	2
15	U092-F0122	Camshaft	1
16	U092-F0124	Valve Rocker Assy	2



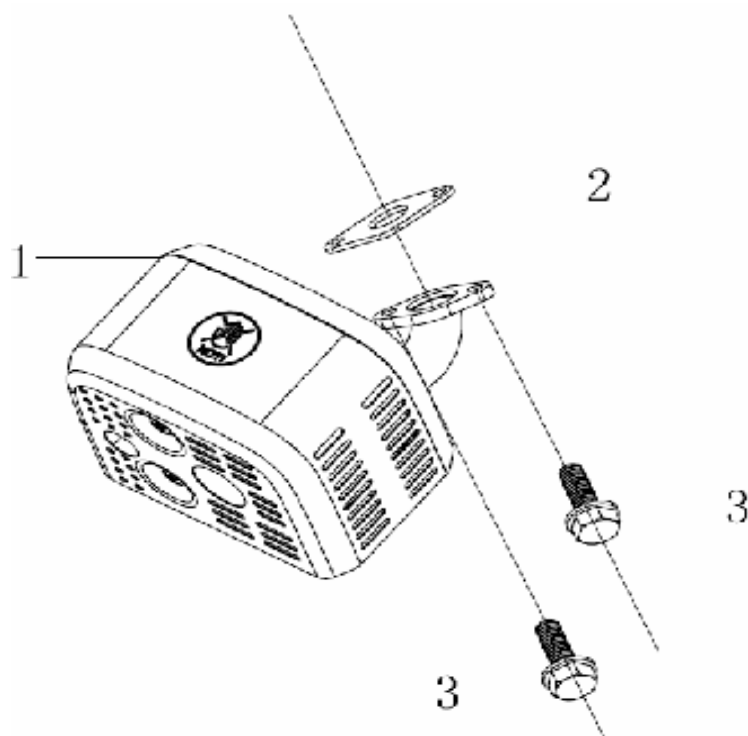
Crankshaft			
NO	ART	NAME	QTY
1	U092-F0127	Ring Set	1
2	U092-F0128	Clip,Piston Pin	2
3	U092-F0131	Piston	1
4	U092-F0132	Pin,Piston	1
5	U092-F0133	Rod Assy.,Connecting	1
6	U092-F0134	Connecting Rod	1
7	U092-F0135	Connecting Rod Cover	1
8	U092-F0136	Bolt,Connecting Rod	2
9	U092-F0137	Crankshaft Comp	1
10	U092-F0138	Weight,Balancer	1
11	U092-F0139	Washer	2
12	U092-F0140	Weight,Balancer	1



Crankshaft Cover			
NO	ART	NAME	QTY
1	U092-F0141	Bolt,Flange M6×16	3
2	U092-F0142	Oil Pump Cover	1
3	U092-F0143	Seal Ring,Oil Pump	1
4	U092-F0144	Rotor,Outer	1
5	U092-F0145	Rotor,Inner	1
6	U092-F0146	Pump,Oil	1
7	U092-F0147	Oil Seal,φ 35×φ 52×7	1
8	U092-F0148	Bolt,Flange M8×40	10
9	U092-F0149	Pin,Dowel φ 10×12	2
10	U092-F0150	Rubber,oil deflector	1
11	U077-F0050	OILFILTER.ASSY	1
12	U092-F0152	Governor Assy	1
13	U092-F0153	Oil Strainer	1
14	U092-F0154	Oil Baffle Plate	1
15	U092-F0155	Cover,Oil Strainer	1
16	U092-F0156	Bolt,Flange F6×25	1
17	U092-F0157	Eddp Groove Ball Bearing	1
18	U092-F0158	Cap Assy	1
19	U092-F0159	O-Ring	1
20	U092-F0160	Extension	1
21	U092-F0161	O-Ring	1
22	U092-F0162	Oil Filler Cap	1
23	U092-F0163	Bolt,Flange M6×35	1
24	U092-F0164	Drain Bolt 3/8-18 Nptf	1
25	U092-F0165	Cover,Breather Side	1
	U092-F0166	Cover,Breather Side	1
26	U092-F0167	Extension	1
27	U092-F0168	Cap Assy	1



Crankcase			
No	ART	NAME	QTY
1	U092-F0169	Tube,Breather	1
2	U075-F0020	Pin,Lock	1
3	U092-F0170	Oil Seal	1
4	U092-F0171	Washer	1
5	U092-F0172	Shaft,Governor Arm	1
6	U092-F0173	Packing,Case Cover	1
7	U092-F0174	Eddp Groove Ball Beaeing	1
8	U092-F0175	O-Ring 12×2.5	1
9	U092-F0176	Reed Valve	1
10	U092-F0177	Bolt,Flange M6×12	3
11	U092-F0178	Packing,Breather Chamber	1
12	U092-F0179	Cap,Breather Chamber	1
13	U092-F0180	Eddp Groove Ball Beaeing	2
14	U092-F0181	Oil Seal,φ 35×φ 52×7	1
15	U092-F0182	Bolt,Flange M6×14	1
16	U092-F0183	Valve,Breather Chamber	1
17	U092-F0186	Crank Case Comp	1



Muffler			
NO	ART	NAME	QTY
1	U092-F0187	Muffler	1
2	U092-F0188	Gasket,Ex.Pipe	1
3	U092-F0189	Bolt,Flange	2