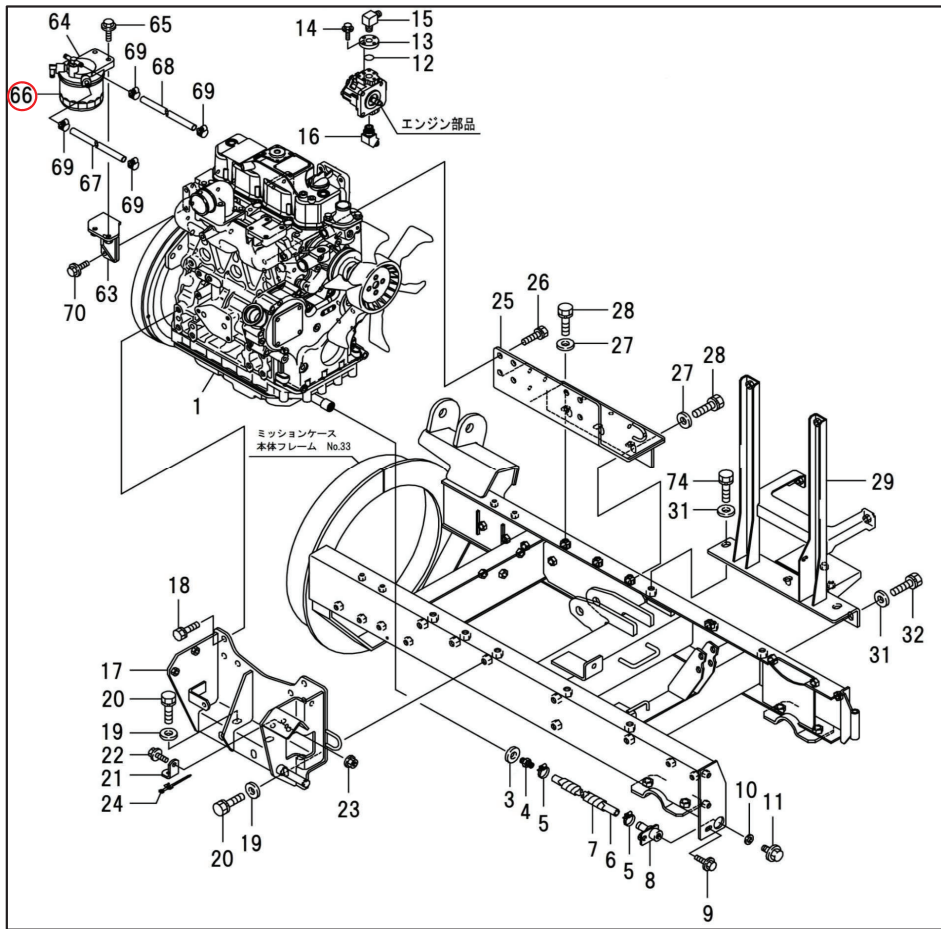
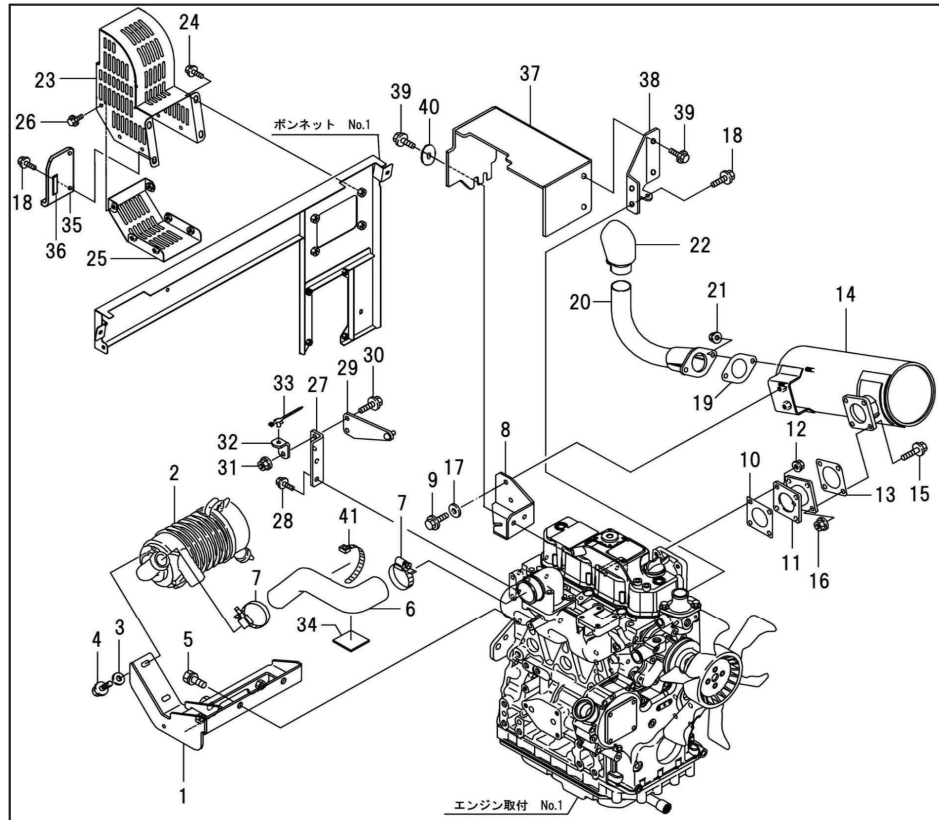


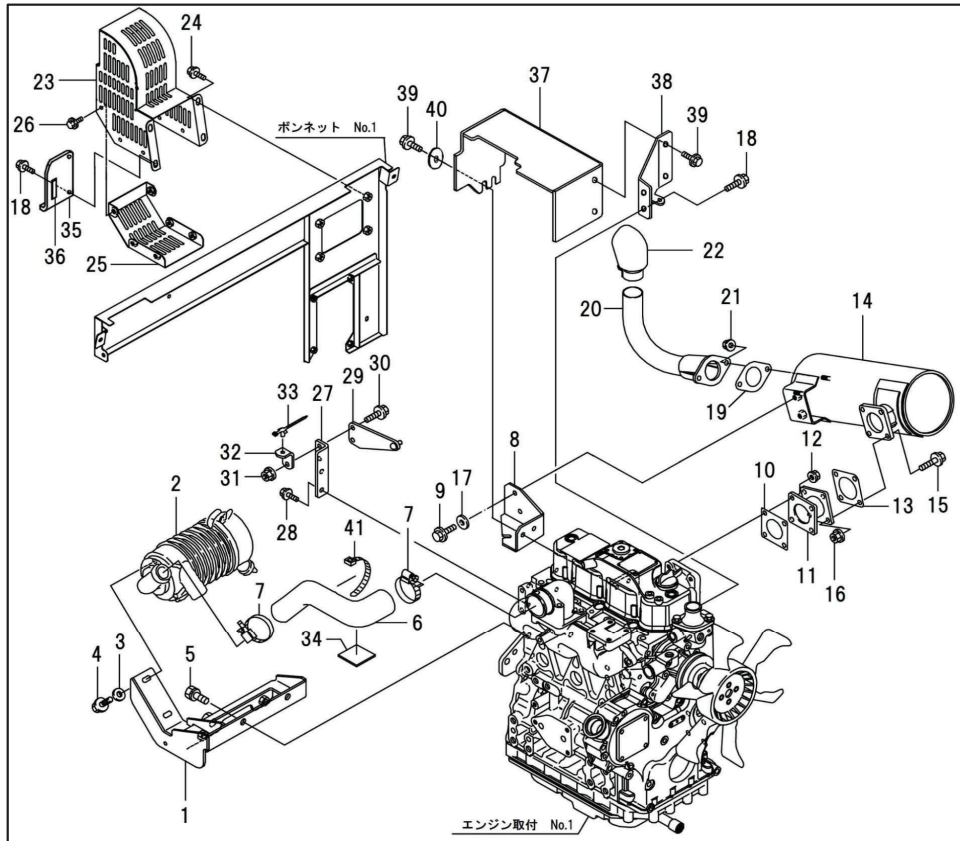
No	Parts Number	Parts Name	Quantity	Recommend Rank	Remark
1	01001-B97-000	ENGINE, 3TNV82A-BNSR	1		
3	22190-160002	WASHER, SEAL 16	1		
4	129459-39150	DRAIN, OIL EXTENSION	1		
5	91323-019	CLAMP, HOSE 19	2		
6	91542-1506001	HOSE, 15 × 600	1		
7	91382-1905401	CORRUGATE, 19 × 540	1		
8	02700-B56-000	JOINT COMP, DRAIN	1		
9	93100-0802017	BOLT, FLANGE 8 × 20	1		
10	91691-1222205	PACKING, 12.5 × 22 × 2.0	1	A	
11	93300-1201617	BOLT, FLANGE 12 × 1.25 × 16	1	A	
12	98310-02024	RING O, P20	1		
13	67902-A63-000	FLANGE, HYDRAULIC	1		
14	93100-0602517	BOLT, FLANGE 6 × 25	4		
15	51902-B54-001	JOINT, ELBOW PT3/8 × PF1/2 90°	1		
16	51901-B84-000	JOINT, ELBOW PF3/8 × PF1/4 45°	1		
17	02100-B54-830	BASE L COMP, ENGINE	1		
18	93000-1202517	BOLT, SPECIAL 12 × 25	5		
19	94101-12010	WASHER, PLAIN 12	6		
20	93000-1203017	BOLT, SPECIAL 12 × 30	6		
21	03908-B56-800	HOLDER, CABLE	1		



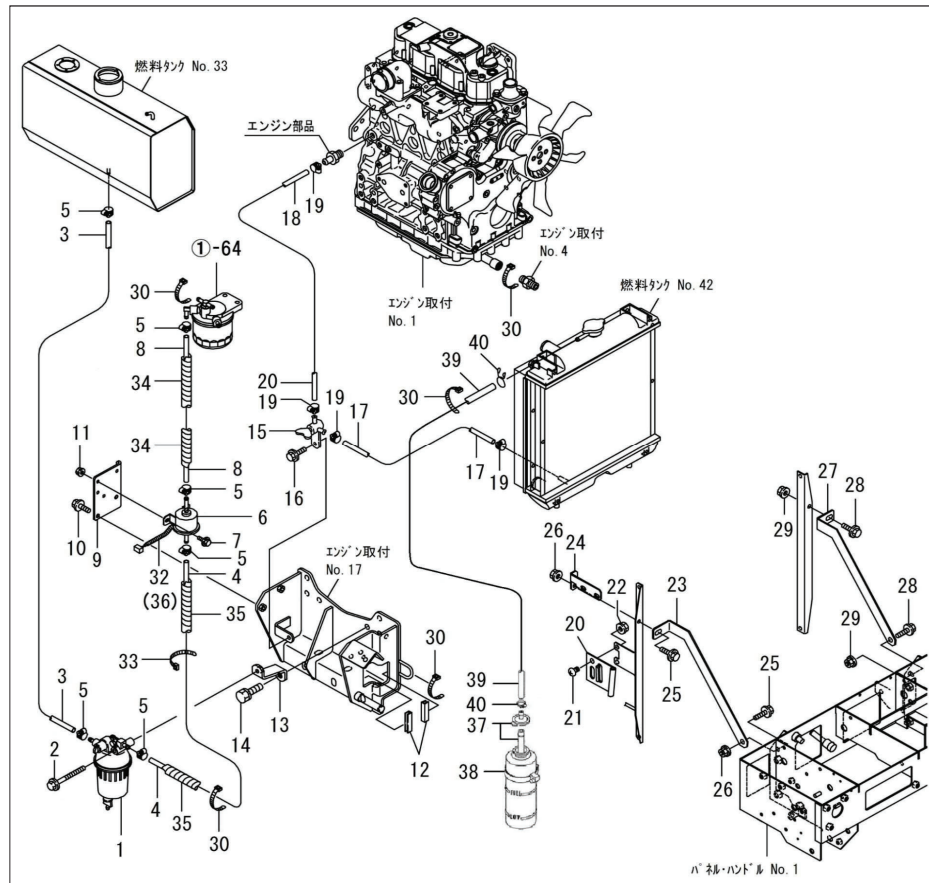
No	Parts Number	Parts Name	Quantity	Recommend Rank	Note
22	93100-0802017	BOLT, FLANGE 8×20	1		
23	94002-08410	NUT, FLANGE 8	1		
24	91314-119P7	STRAP, CABLE 1-19P7	1		
25	02200-B97-800	BASE R COMP, ENGINE	1		
26	93000-1202517	BOLT, SPECIAL 12×25	8		
27	94101-12010	WASHER, PLAIN 12	6		
28	93000-1203017	BOLT, SPECIAL 12×30	6		
29	02800-B56-801	BASE COMP, FUEL TANK	1		
31	94101-12010	WASHER, PLAIN 12	5		
32	93000-1203017	BOLT, SPECIAL 12×30	4		
74	93000-1202517	BOLT, SPECIAL 12×25	1		
63	04100-B54-800	BRACKET COMP, FUEL FILTER	1		
64	129004-55612	STAY, FO FILTER	1		
65	93100-0803017	BOLT, FLANGE 8×30	2		
66	119802-55801	FILTER, FO	1	A	
67	91543-0750231	HOSE, BLADE 7.5×230	1		
68	91543-0750321	HOSE, BLADE 7.5×320	1		
69	91324-013	BAND, HOSE 13	4		
70	93100-0801617	BOLT, FLANGE 8×16	2		



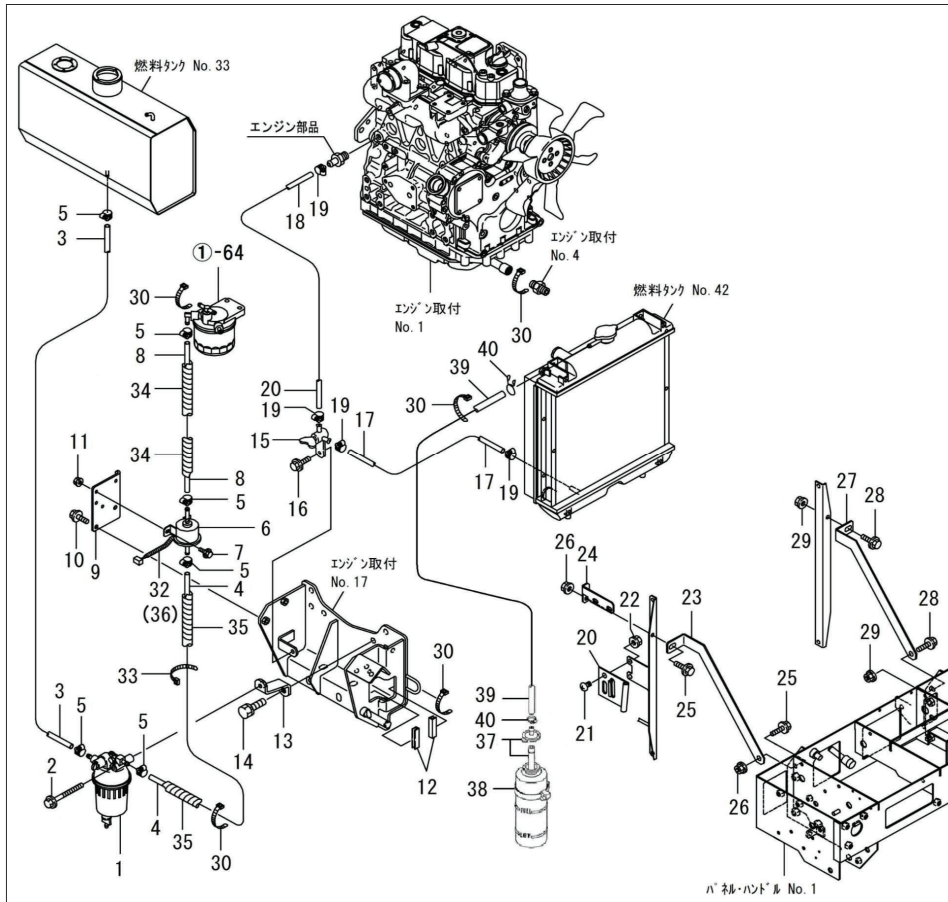
No	Parts Number	Parts Name	Quantity	Recommend Rank	Remark
1	02500-B74-801	BRACKET COMP, AIR CLEANER	1		
2	129065-12510	CLEANER COMP, AIR	1		
3	94101-08015	WASHER, PLAIN 8	2		
4	93100-0802017	BOLT, FLANGE 8×20	2		
5	93000-1002517	BOLT, SPECIAL 10×25	2		
6	129261-12020	PIPE, INTAKE	1		
7	91323-065	CLAMP, HOSE 65	2		
8	02907-B54-800	BRACKET, MUFFLER	1		
9	93100-0801617	BOLT, FLANGE 8×16	2		
10	129004-13200	GASKET, SILENCER	1		
11	02500-B54-031	JOINT COMP, MUFFLER	1		
12	94002-08410	NUT, FLANGE 8	4		
13	129004-13200	GASKET, SILENCER	1		
14	129065-13500	SILENCER	1		
15	93100-0802517	BOLT, FLANGE 8×25	4		
16	94002-08410	NUT, FLANGE 8	4		
17	94101-08015	WASHER, PLAIN 8	2		
18	93100-0802017	BOLT, FLANGE 8×20	2		
19	129107-13550	GASKET, MUFFLER CAP	1		
20	02600-B54-032	PIPE B COMP, EX	1		



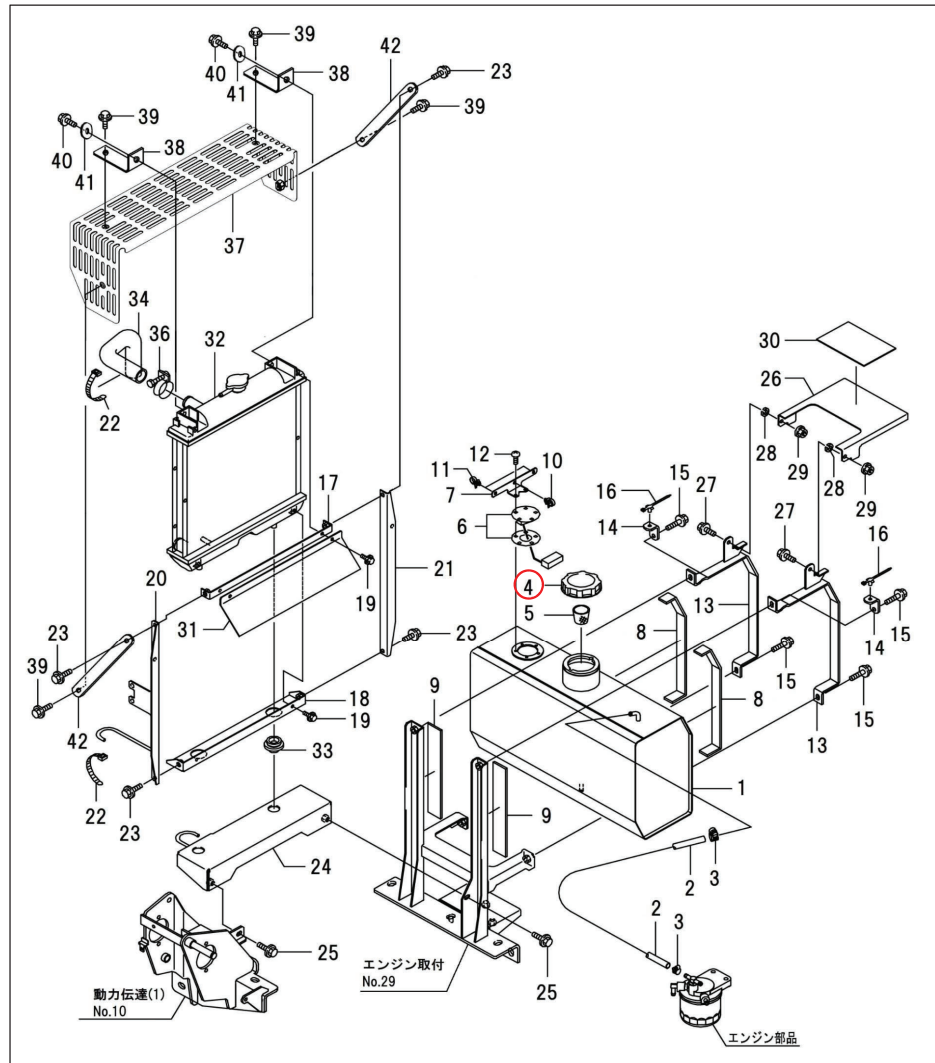
No	Parts Number	Parts Name	Quantity	Recommend Rank	Remark
21	94002-08410	NUT, FLANGE 8	2		
22	105198-13610	CAP COMP, MUFFLER	1		
23	03200-B72-801	COVER COMP, MUFFLER	1		
24	93100-0801617	BOLT, FLANGE 8×16	4		
25	03300-B72-801	COVER COMP, MUFFLER UNDER	1		
26	93100-0601217	BOLT, FLANGE 6×12	6		
27	03907-B56-800	BRACKET, BD	1		
28	93100-0801617	BOLT, FLANGE 8×16	2		
29	04200-B54-801	BRACKET COMP, DAMPER	1		
30	93100-0802517	BOLT, FLANGE 8×25	2		
31	94002-08410	NUT, FLANGE 8	2		
32	03908-B56-800	HOLDER, CABLE	1		
33	91314-119P7	STRAP, CABLE 1-19P7	1		
34	21905-B18-000	RUBBER, 50×50×3.0	2		
35	48905-B97-800	STOPPER, FRONT COVER	1		
36	03902-H09-000	SPONGE, 15×40	1		
37	05100-B97-800	COVER COMP, MANIFOLD	1		
38	05901-B97-800	STAY, MANIFOLD COVER	1		
39	93100-0802017	BOLT, FLANGE 8×20	4		
40	94101-08015	WASHER, PLAIN 8	2		
41	91311-250	BAND, REPEAT RF250	2		



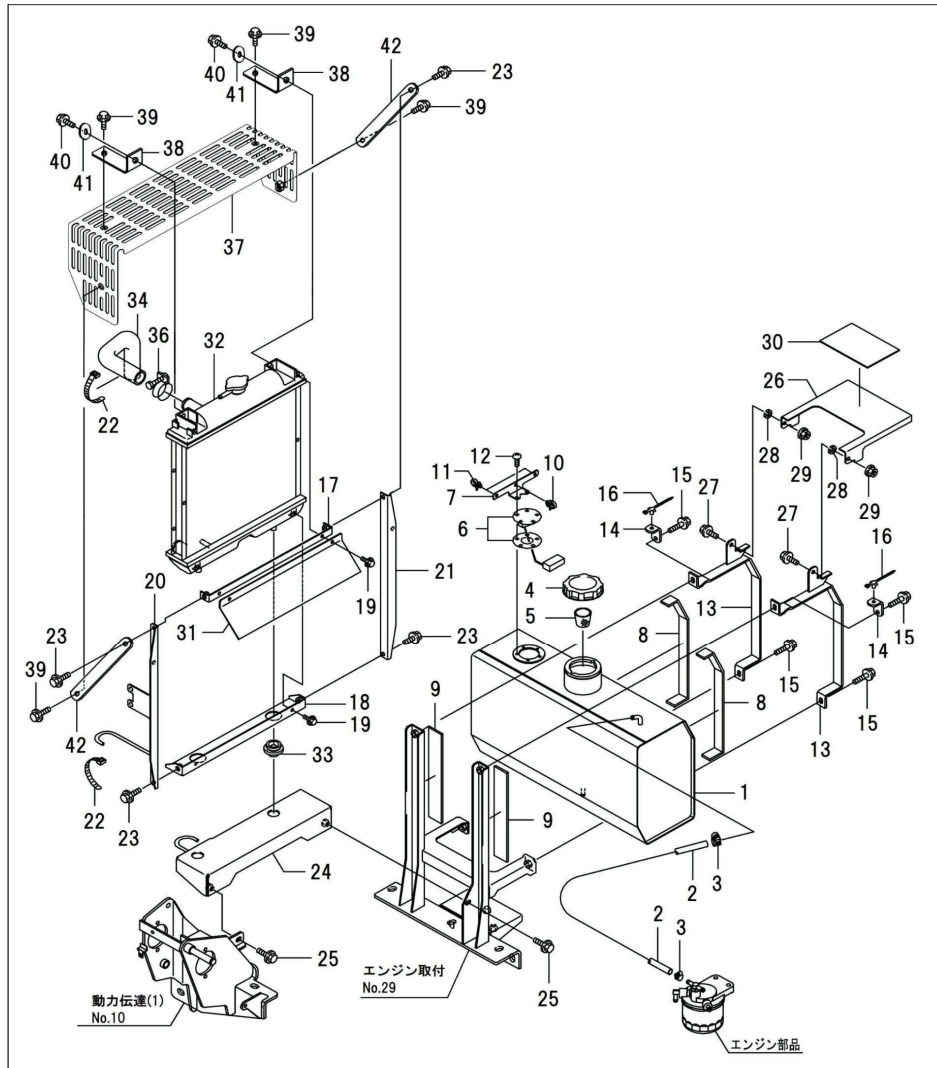
No	Parts Number	Parts Name	Quantity	Recommend Rank	Remark
1	129242-55701	SEPARATOR, OIL	1		
2	93100-0807017	BOLT, FLANGE 8 × 70	1		
3	91543-0751001	HOSE, BLADE 7.5 × 1000	1		
4	91543-0750451	HOSE, BLADE 7.5 × 450	1		
5	91324-013	BAND, HOSE 13	6		
6	119225-52102	PUMP, ELECTROMAGNETIC	1		
7	93100-0601617	BOLT, FLANGE 6 × 16	2		
8	91543-0750201	HOSE, BLADE 7.5 × 200	1		
9	02904-B56-801	BRACKET, ELECTROMAGNETIC PUMP	1		
10	93100-0802017	BOLT, FLANGE 8 × 20	2		
11	94002-06410	NUT, FLANGE 6	2		
12	02903-B54-001	RUBBER, 12.5 × 53	2		
13	02300-B72-802	STAY COMP, SEPARATOR	1		
14	93000-1203017	BOLT, SPECIAL 12 × 30	1		
15	129150-49100	COCK COMP, THREE WAY	1		
16	93100-0802017	BOLT, FLANGE 8 × 20	1		
17	91543-0750701	HOSE, BLADE 7.5 × 700	1		
18	91543-0750251	HOSE, BLADE 7.5 × 250	1		
19	91324-013	BAND, HOSE 13	4		
20	121256-44600	BRACKET, SUB TANK	1		



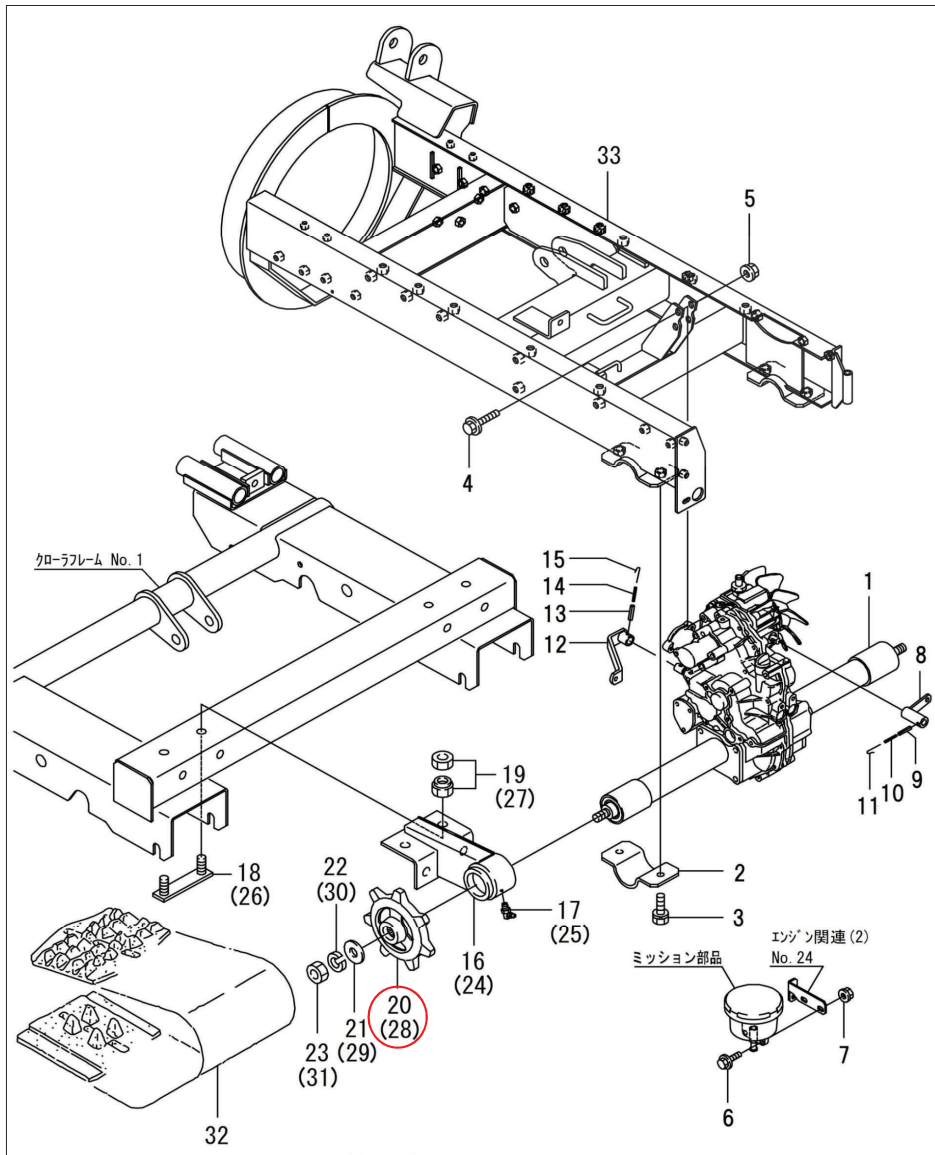
No	Parts Number	Parts Name	Quantity	Recommend Rank	Remark
21	93400-0801214	BOLT, SPECIAL 8×12	2		
22	94002-08410	NUT, FLANGE 8	2		
23	03903-B54-830	STAY L, RADIATOR	1		
24	11901-B56-800	STAY, SUB TANK	1		
25	93100-0802017	BOLT, FLANGE 8×20	2		
26	94002-08410	NUT, FLANGE 8	2		
27	03907-B54-800	STAY R, RADIATOR	1		
28	93100-0802017	BOLT, FLANGE 8×20	2		
29	94002-08410	NUT, FLANGE 8	2		
30	91311-140	BAND, REPEAT RF250	6		
32	91382-0701201	CORRUGATE 7×120	1		
33	91311-140	BAND, REPEAT RF140	1		
34	91382-1301801	CORRUGATE 13×180	1		
35	91382-1303001	CORRUGATE 13×300	1		
36	91381-2100	TAPE, 100	1		
37	124450-44510	TANK COMP, SUB	1		
38	124450-44550	BAND, SUB TANK	1		
39	121750-59110	HOSE, RUBBER	1		
40	121250-44590	CLIP, HOSE	2		



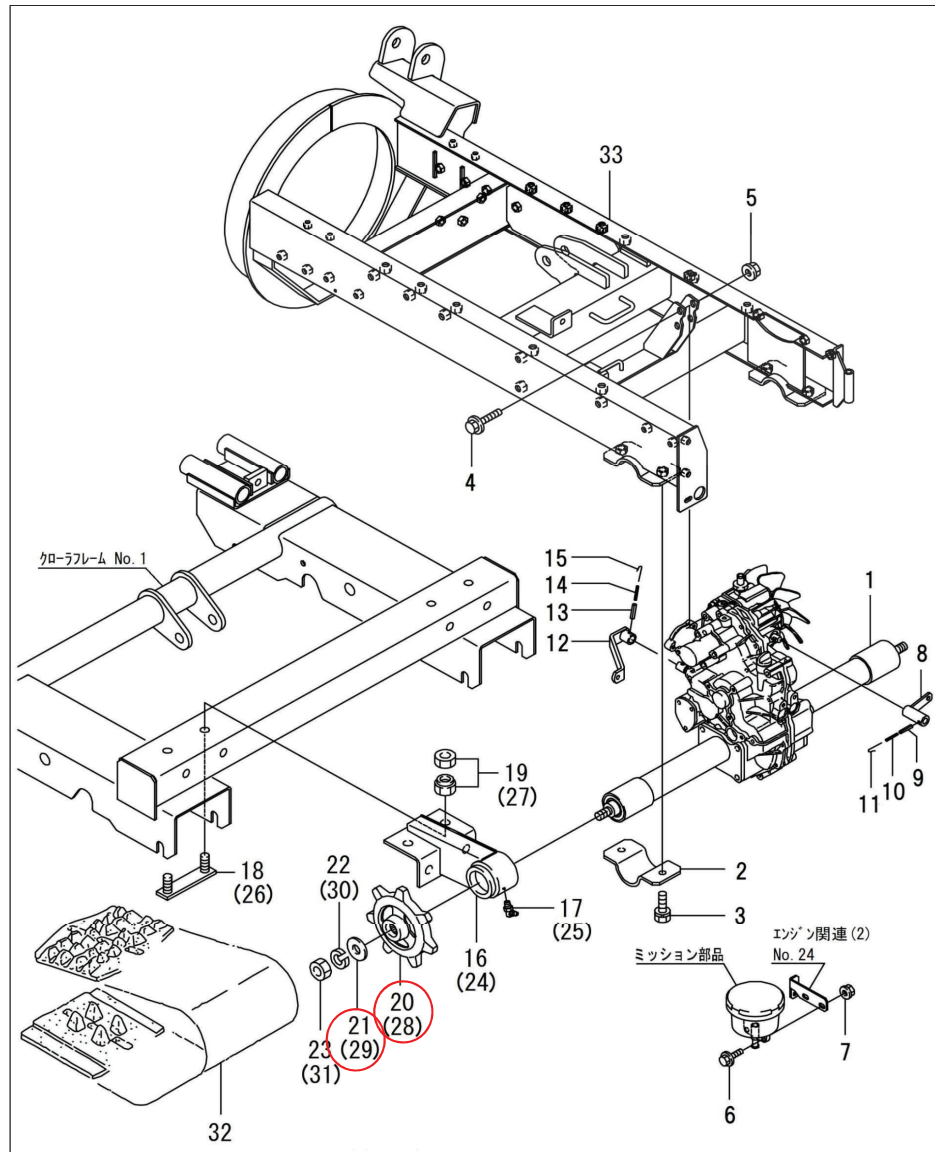
No	Parts Number	Parts Name	Quantity	Recommend Rank	Remark
1	04100-B97-701	TANK COMP, FUEL 25	1		
2	91543-0751201	HOSE, BLADE 7.5×1200	1		
3	91324-013	BAND, HOSE 13	2		
4	02010-B50-000	CAP, FUEL	1	B	
5	02020-B50-000	FILTER	1		
6	04300-B78-000	SENSOR, FUEL	1		
7	04901-B97-800	STAY, HARNESS	1		
8	04901-B85-000	RUBBER, 40×580×5	2		
9	04902-B85-000	RUBBER, 40×250×5	2		
10	91315-C4397	CLIP, CABLE C-4397	1		
11	91315-C2S12	CLIP, CABLE C-2S12	2		
12	93500-0501214	SCREW, PAN 5×12	5		
13	03600-B97-800	BAND COMP, FUEL TANK	2		
14	03908-B56-800	HOLDER, CABLE	2		
15	93100-0803017	BOLT, FLANGE 8×30	4		
16	91314-119P7	STRAP, CABLE 1-19P7	2		
17	03100-B54-800	UPPER FRAME COMP, RADIATOR	1		
18	03200-B54-801	LOWER FRAME COMP, RADIATOR	1		
19	93100-0601617	BOLT, FLANGE 6×16	4		
20	03800-B54-800	FRAME L COMP, RADIATOR	1		



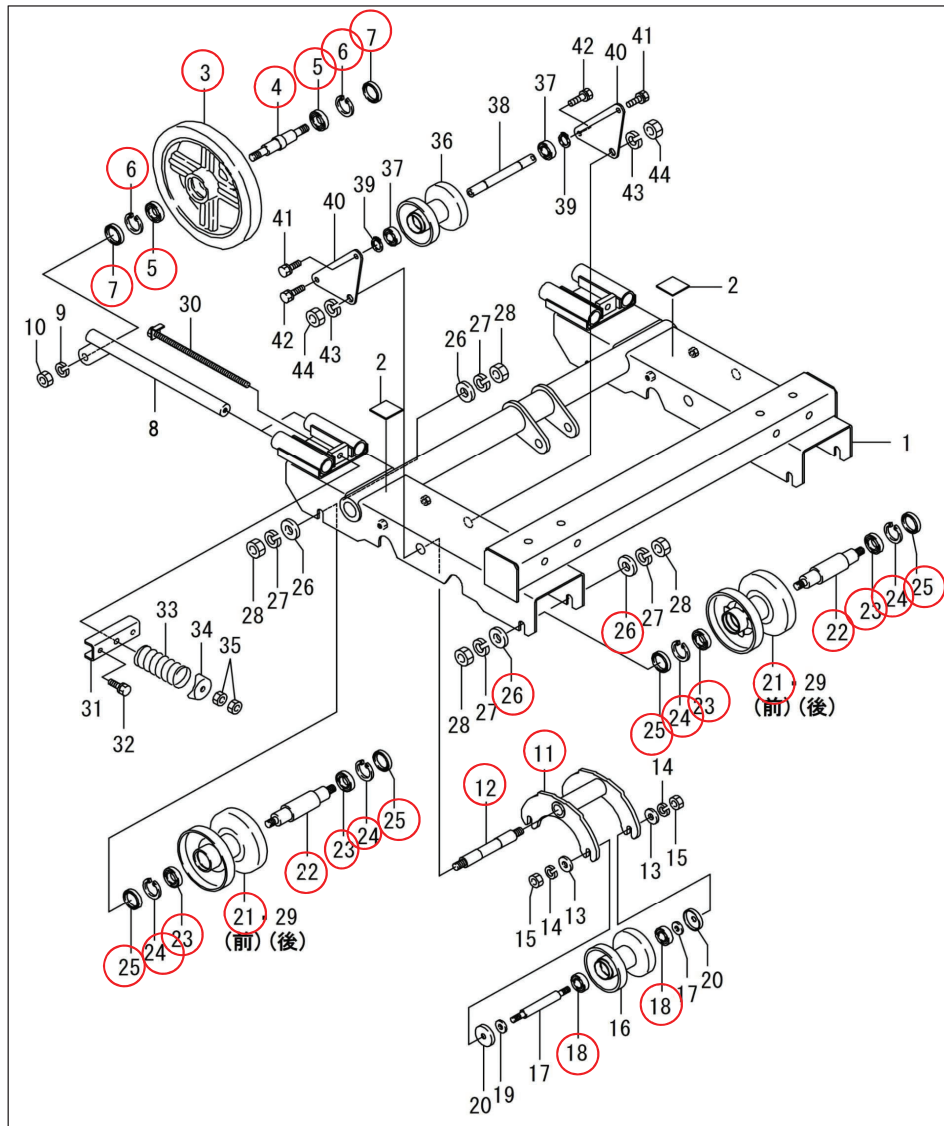
No	Parts Number	Parts Name	Quantity	Recommend Rank	Remark
21	03902-B54-800	FRAME R, RADIATOR	1		
22	91311-250	BAND, REPEAT RF250	2		
23	93100-0801617	BOLT, FLANGE 8×16	4		
24	03300-B54-830	BASE COMP, RADIATOR	1		
25	93100-0801617	BOLT, FLANGE 8×16	2		
26	03903-B61-802	GUIDE, TANK	1		
27	93100-0802017	BOLT, FLANGE 8×20	2		
28	94111-08012	WASHER, SPG 8	2		
29	91234-084110	NUT, TOUGH LOCK 8	2		
30	03906-B53-000	TAPE, AK 150×100	1		
31	03901-B72-801	GUIDE, AIR	1		
32	119802-44500	RADIATOR COMP	1		
33	119255-44660	ROBBER, ANTIVIBRATION (RADIATOR)	2		
34	119960-49010	CW-T, A	1		
35	119960-49020	CW-T, B	1		
36	23010-038000	BAND, HOSE 38	4		
37	08500-B54-001	COVER COMP, FAN	1		
38	08902-B54-000	STAY A, FAN COVER	2		
39	93100-0801617	BOLT, FLANGE 8×16	4		
40	93100-0602517	BOLT, FLANGE 6×25	2		
41	94101-06015	WASHER, PLAIN 6	2		
42	08903-B54-000	STAY B, FAN COVER	2		



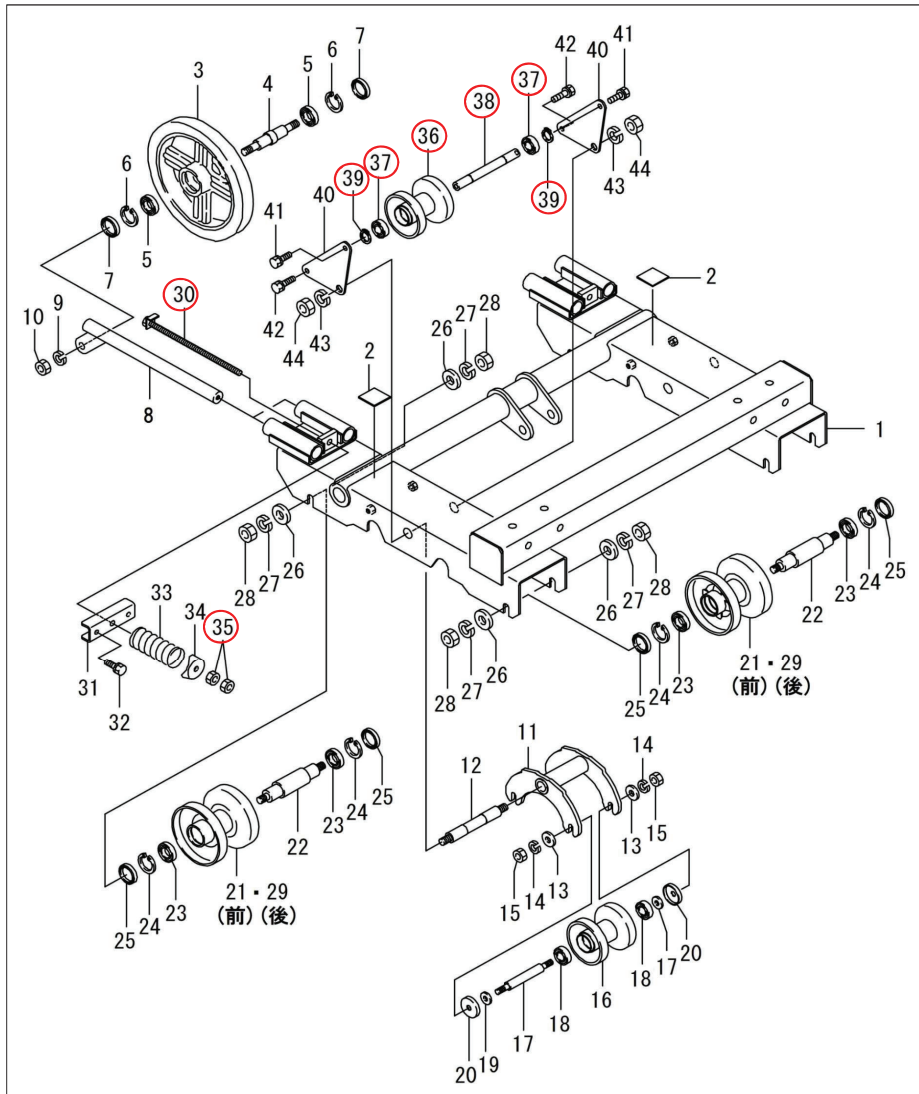
No	Parts Number	Parts Name	Quantity	Recommend Rank	Remark
1	10001-B56-002	MISSION, SB-30HND	1		
2	41903-A91-800	HOLDER, SHAFT	2		
3	93000-1203017	BOLT, SPECIAL 12×30	4		
4	93300-1005017	BOLT, FLANGE 10×1.25×50	2		
5	94006-10410	NUT, FLANGE 10×1.25	2		
6	93100-0802017	BOLT, FLANGE 8×20	2		
7	94002-08410	NUT, FLANGE 8	2		
8	75300-B56-802	ARM COMP, CHANGE	1		
9	94319-50025	PIN, SPG 5×25	1		
10	94319-30025	PIN, SPG 3×25	1		
11	75913-B18-000	WIRE, SPECIAL 1.2×100	1		
12	75400-B16-000	ARM COMP, SUB CHANGE	1		
13	94319-60025	PIN, SPG 6×25	1		
14	94319-35025	PIN, SPG 3.5×25	1		
15	75913-B18-000	WIRE, SPECIAL 1.2×100	1		
16	21200-B54-801	SUPPORT L COMP, AXLE	1		
17	96381-65000	NIPPLE, GREASE B-M6×1	1		
18	21500-B18-000	BOLT COMP, SET	2		
19	91235-16100	NUT, HARD LOCK 16	4		
20	26901-B54-801	SPROCKET, DRIVE	1	D	



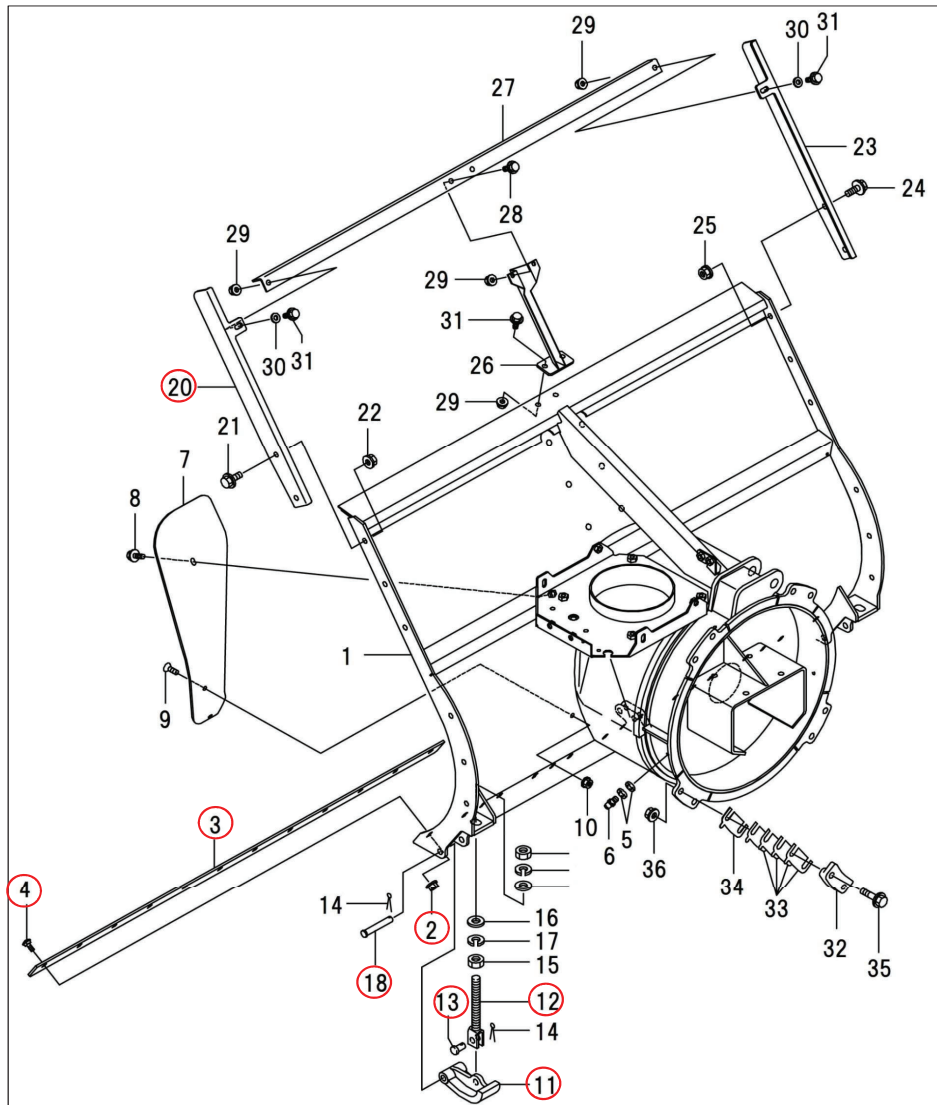
No	Parts Number	Parts Name	Quantity	Recommend Rank	Remark
21	91251-1640451	WASHER, RD 16 × 40 × 4.5	1	D	
22	94111-16012	WASHER, SPG 16	1		
23	94001-16411	NUT, 16	1		
24	21300-B54-801	SUPPORT R COMP, AXLE	1		
25	96381-65000	NIPPLE, GREASE B-M6 × 1	1		
26	21500-B18-000	BOLT COMP, SET	2		
27	91235-16100	NUT, HARD LOCK 16	4		
28	26901-B54-801	SPROCKET, DRIVE	1	D	
29	91251-1640451	WASHER, RD 16 × 40 × 4.5	1	D	
30	94111-16012	WASHER, SPG 16	1		
31	94001-16411	NUT, 16	1		
32	23901-A53-000	CRAWLER, 300 × 72 × 40	2		
33	41100-B97-802	FRAME COMP, MAIN	1		



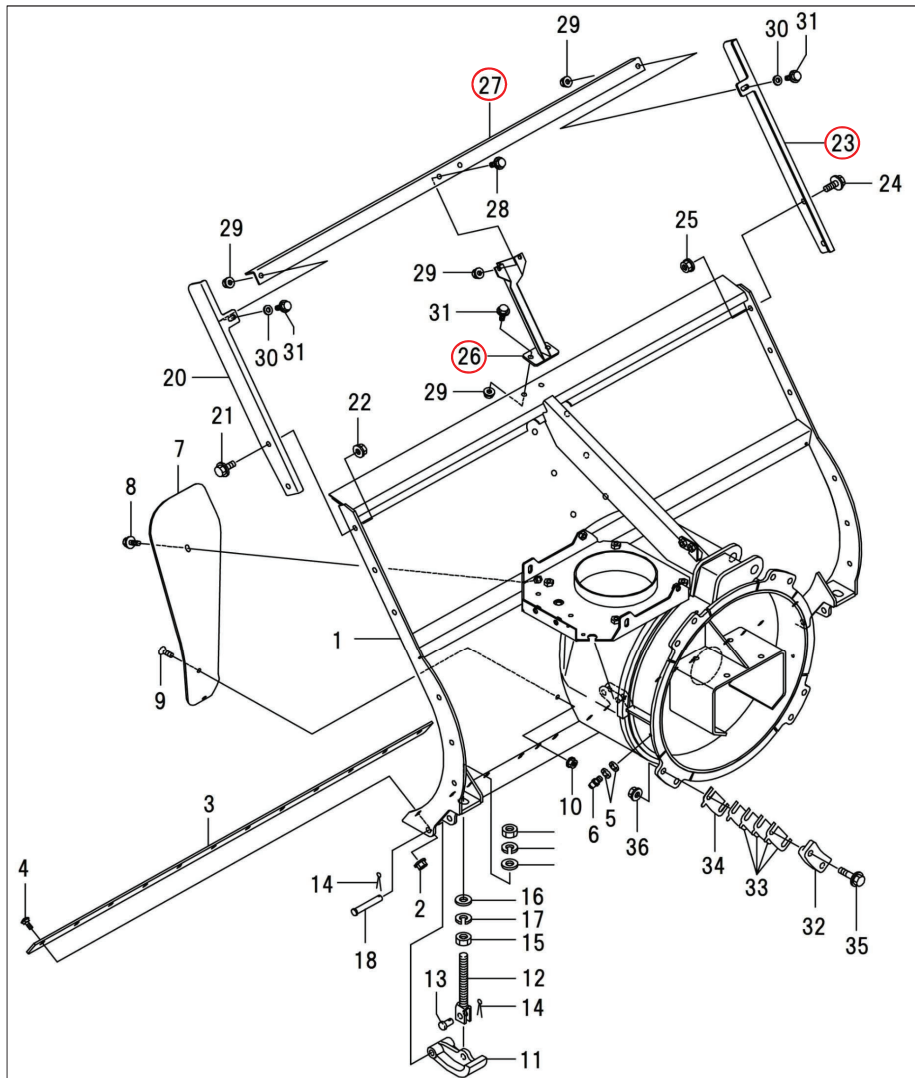
No	Parts Number	Parts Name	Quantity	Recommend Rank	Remark
1	21100-B61-800	FRAME COMP, CRAWLER	1		
2	21905-B18-000	RUBBER, 50×50×3.0	2		
3	26901-B18-700	WHEEL, FRONT	2	D	
4	24902-B72-000	SHAFT B, WHEEL	2	D	
5	96100-06005	BEARING, 6005	4	B	
6	94520-47080	CIRCLIP, IN 47	4	B	
7	98251-2504708	SEAL, OIL D25478	4	B	
8	21400-B54-801	BEAM COMP,TENSION	4		
9	94111-16012	WASHER, SPG 16	4		
10	94001-16411	NUT, 16	4		
11	21400-B18-830	FRAME COMP, EQUALIZE	2	D	
12	24901-B18-030	SHAFT, EQUALIZE	2	D	
13	91251-1230451	WASHER, RD 12×30×4.5	8		
14	94111-12012	WASHER, SPG 12	8		
15	94003-12412	NUT, SPECIAL 12	8		
16	26100-B18-802	WHEEL COMP, EQUALIZE	4		
17	24902-B18-000	SHAFT, EQUALIZE WHEEL	4		
18	96105-06004	BEARING, 6004UU	8	B	
19	91251-1230451	WASHER, RD 12×30×4.5	8		
20	28901-G14-000	COVER, WHEEL	8		
21	26100-A94-802	WHEEL COMP, CRAWLER	2	D	
22	24903-B18-000	SHAFT A, WHEEL	4	D	
23	96100-06005	BEARING, 6005	8	B	
24	94520-47080	CIRCLIP, IN 47	8	B	
25	98251-2504708	SEAL, OIL D25478	8	B	
26	94101-16010	WASHER, PLAIN 16	8	D	



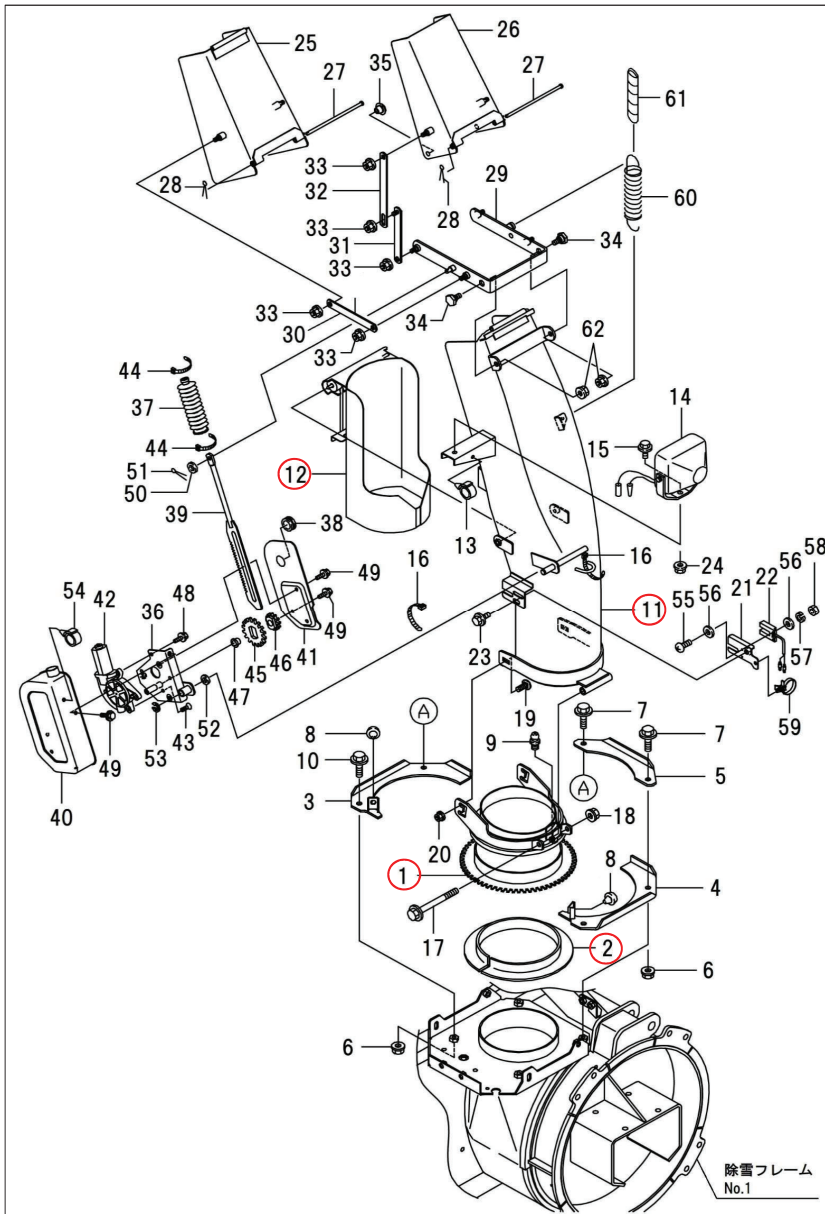
No	Parts Number	Parts Name	Quantity	Recommend Rank	Remark
27	94111-16012	WASHER, SPG 16	8		
28	94001-16411	NUT, 16	8		
29	26200-B72-800	WHEEL COMP, CRAWLER	2		
30	21500-A94-031	BOLT COMP, TENSION	2	A	
31	21901-B54-800	SUPPORT, TENSION BEAM	2		
32	91219-1020111	BOLT, SPECIAL 10 × 1.25 × 20	4		
33	23901-B18-000	SPRING, BJ 50 × 100	2		
34	21902-B54-800	HOLDER, SPRING	2		
35	94003-12412	NUT, SPECIAL 12	4	A	
36	26100-B18-802	WHEEL COMP, EQUALIZE	2	D	
37	96105-06004	BEARING, 6004UU	4	B	
38	24901-B56-001	SHAFT, CRAWLER IDLER	2	D	
39	94510-20080	CIRCLIP, EX 20	4	B	
40	21901-B56-800	SUPPORT, CRAWLER IDLER	4		
41	91219-1020011	BOLT, SPECIAL 10 × 20	4		
42	91219-1025011	BOLT, SPECIAL 10 × 25	4		
43	94111-16012	WASHER, SPG 16	4		
44	94001-16411	NUT, 16	4		



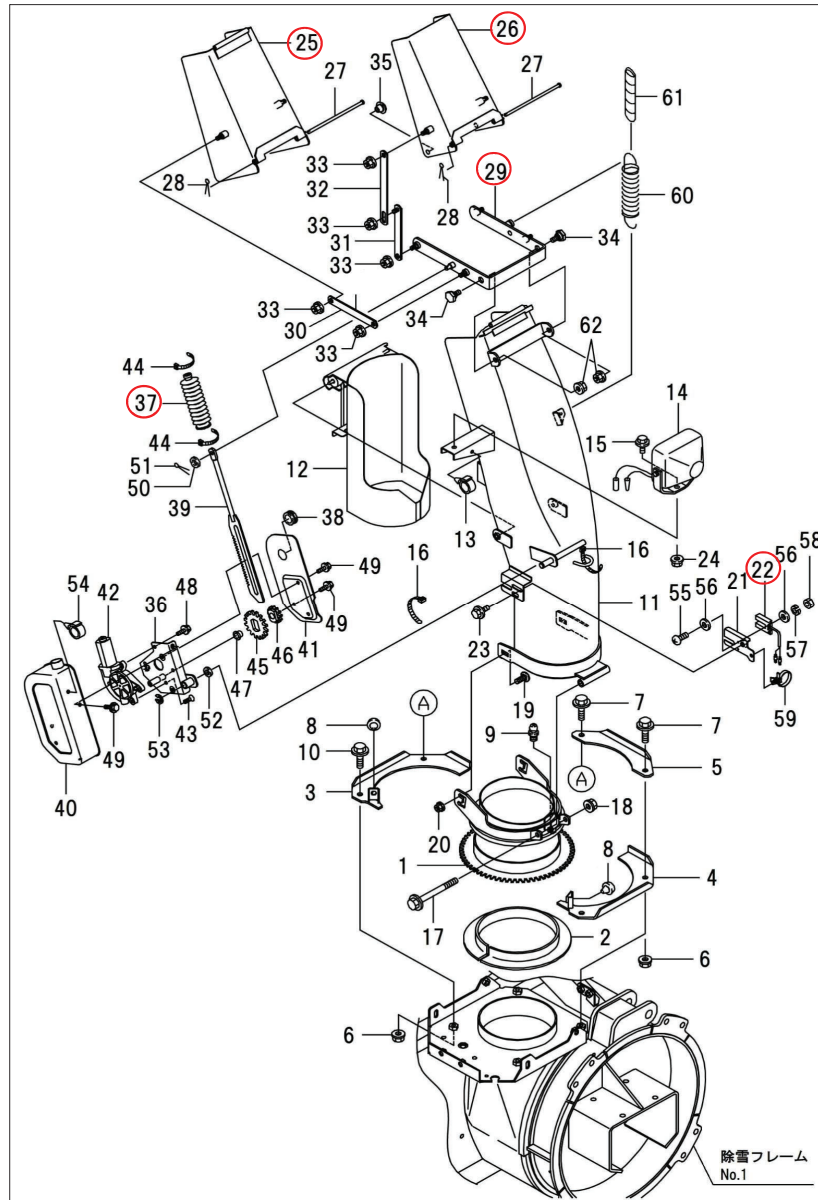
No	Parts Number	Parts Name	Quantity	Recommend Rank	Remark
1	31100-B97-103	HOUSING COMP, AUGER	1		
2	94002-08410	NUT, FLANGE 8	12	B	
3	31907-B54-800	EDGE	1	B	
4	92600-0802014	BOLT, SPECIAL 8×20	12	B	
5	94101-06010	WASHER, PLAIN 6	6		
6	96381-20000	NIPPLE, GREASE A-MT6×1	3		
7	31901-A26-400	PLATE	1		
8	93100-0802017	BOLT, FLANGE 8×20	1		
9	91217-0801679	SCREW 8×16	2		
10	94002-08410	NUT, FLANGE 8	2		
11	31901-B03-800	SKID	2	B	
12	31300-A53-002	SUPPORT COMP, SKID	2	C	
13	91401-A53-000	PIN, 12×22	2	C	
14	94210-25200	PIN, SPLIT 2.5×20	4		
15	94001-16411	NUT, 16	4		
16	94101-16010	WASHER, PLAIN 16	4		
17	94111-16012	WASHER, SPG 16	4		
18	91402-A53-000	PIN, 12×70	2	C	
20	31901-B54-800	PLATE L, SNOW CUTTING	1	C	
21	93300-1002517	BOLT, FLANGE 10×1.25×25	2		



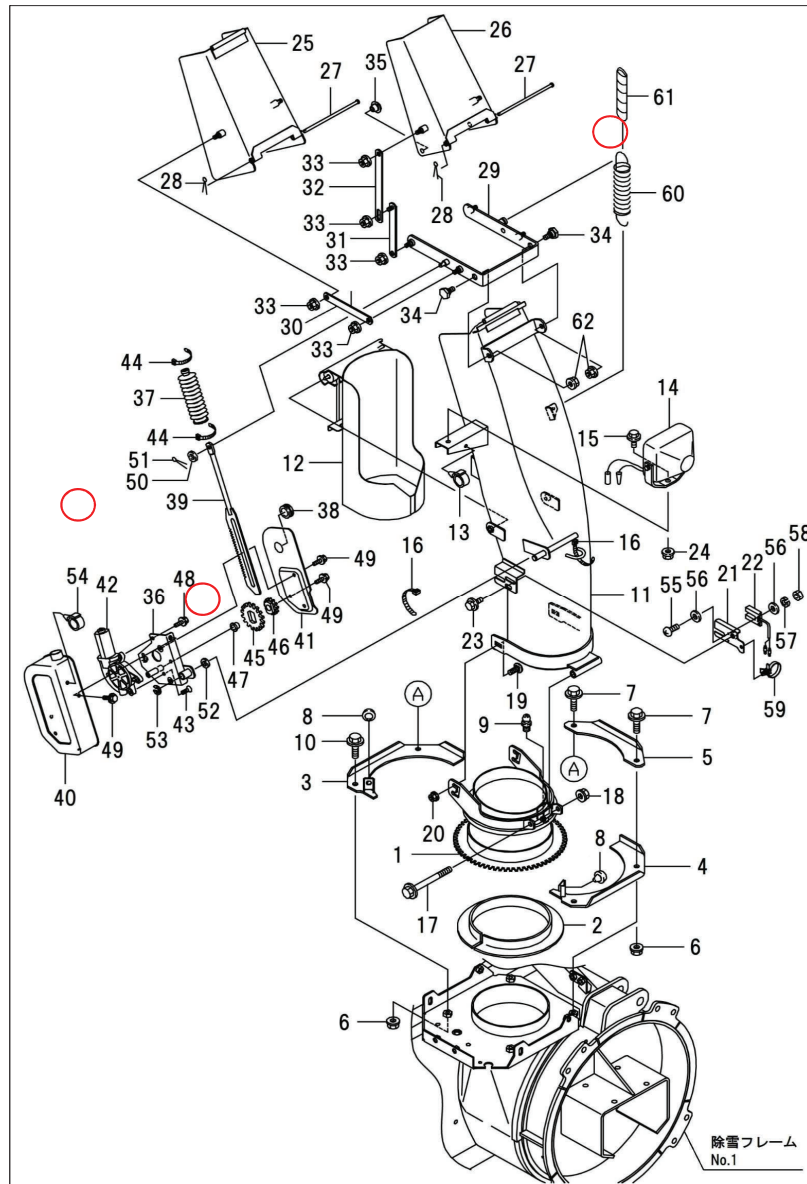
No	Parts Number	Parts Name	Quantity	Recommend Rank	Remark
22	94006-10410	NUT, FLANGE 10×1.25	2		
23	31902-B54-800	PLATE R, SNOW CUTTING	1	C	
24	93300-1002517	BOLT, FLANGE 10×1.25×25	2		
25	94006-10410	NUT, FLANGE 10×1.25	2		
26	31400-B54-802	SUPPORT COMP, CENTER	1	C	
27	31904-B54-802	BAR, SNOW CUTTING	1	C	
28	93100-0801617	BOLT, FLANGE 8×16	2		
29	94002-08410	NUT, FLANGE 8	6		
30	94101-08015	WASHER, PLAIN 8	2		
31	93100-0802017	BOLT, FLANGE 8×20	4		
32	31400-B18-800	GUIDE COMP, ROLLING	4		
33	31902-B18-000	SHIM	16		
34	31903-B18-000	SHIM, 0.6	4		
35	93300-1204517	BOLT, FLANGE 12×1.25×45	8		
36	94006-12410	NUT, FLANGE 12×1.25	8		



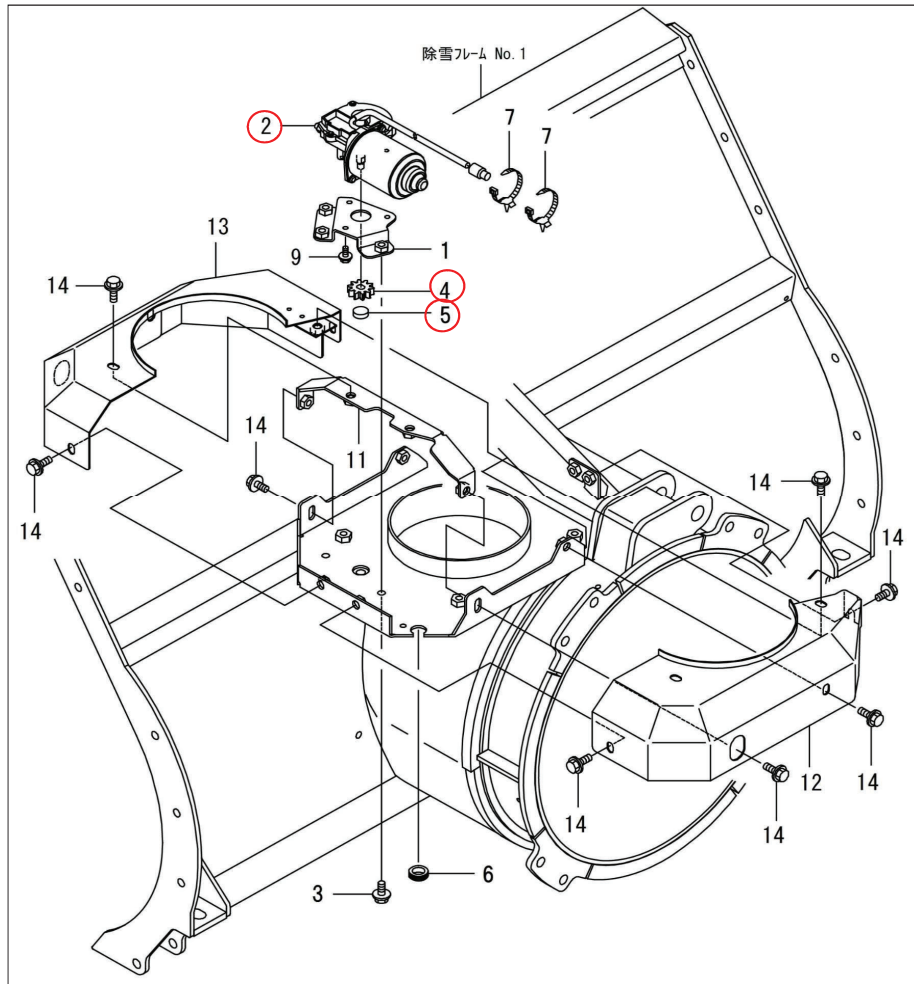
No	Parts Number	Parts Name	Quantity	Recommend Rank	Remark
1	33200-B97-101	BASE COMP, CHUTE	1	D	
2	33903-B72-001	RING	1	B	
3	33400-B97-800	STOPPER A COMP, CHUTE	1		
4	33500-B97-800	STOPPER B COMP, CHUTE	1		
5	33906-B97-800	GUIDE, STOPPER	1		
6	94006-10410	NUT, FLANGE 10×1.25	4		
7	93300-1003517	BOLT, FLANGE 10×1.25×35	2		
8	33907-B72-000	RUBBER	2		
9	96381-20000	NIPPLE, GREASE A-MT6×1	1		
10	93300-1003017	BOLT, FLANGE 10×1.25×30	2		
11	33100-B97-102	CHUTE COMP, 900	1	D	
12	33600-B97-100	COVER COMP, CARTRIDGE	1	C	
13	91315-C4397	CLIP, CABLE C-4397	1		
14	83100-G18-000	LAMP, 18W	1		
15	93100-0801617	BOLT, FLANGE 8×16	1		
16	91311-140	BAND, REPEAT RF140	2		
17	92100-1010017	BOLT, 10×1.25×100	1		
18	94006-10410	NUT, FLANGE 10×1.25	1		
19	92600-0802014	BOLT, SPECIAL 8×20	2		
20	94002-08410	NUT, FLANGE 8	2		



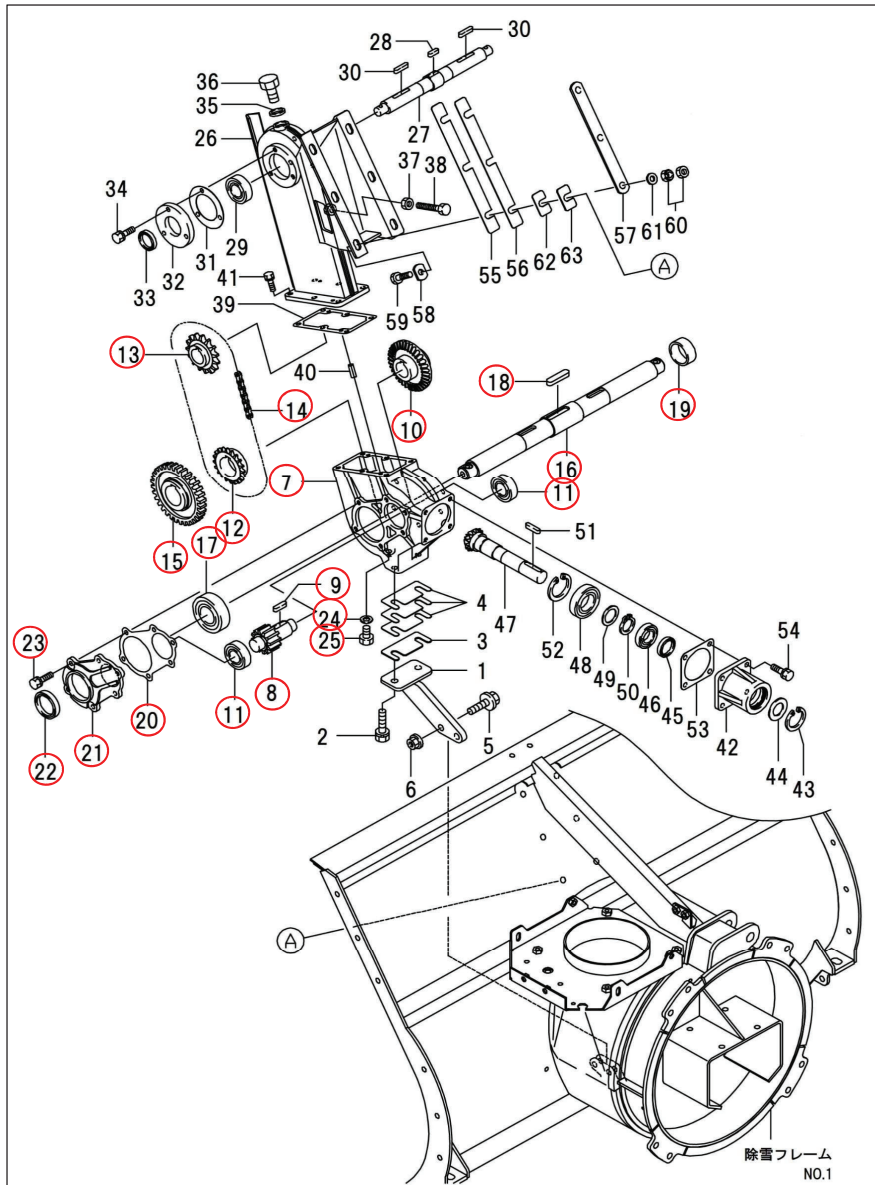
No	Parts Number	Parts Name	Quantity	Recommend Rank	Remark
21	81200-B97-800	BRACKET COMP, SWITCH	1		
22	83200-B97-000	SWITCH, REED	1	B	
23	93100-0801217	BOLT, FLANGE 8×12	1		
24	94002-08410	NUT, FLANGE 8	1		
25	33300-B53-800	DEFLECTOR A COMP, CHUTE	1	D	
26	33400-B53-800	DEFLECTOR B COMP, CHUTE	1	D	
27	91262-061650	PIN, PRESS 6×165	2		
28	94210-20120	PIN, SPLIT 2×12	2		
29	33700-B97-801	ARM COMP, CHUTE	1	C	
30	33902-B53-800	ARM, LINK 129	2		
31	33600-B53-800	LINK A COMP, CHUTE	2		
32	33908-B72-802	LINK B, CHUTE	2		
33	94002-08410	NUT, FLANGE 8	12		
34	33904-B53-000	BOLT, SPECIAL	2		
35	91361-18N0	PLUG, HOLE 18N0	2		
36	33700-B72-103	BRACKET A COMP, MOTOR	1		
37	33904-B08-000	BOOT, CHUTE	1	B	
38	91358-1202515	BUSH, RUBBER NG-79-N	1		
39	34200-B72-803	RACK COMP, CHUTE	1		
40	38100-B72-101	COVER COMP, MOTOR	1		



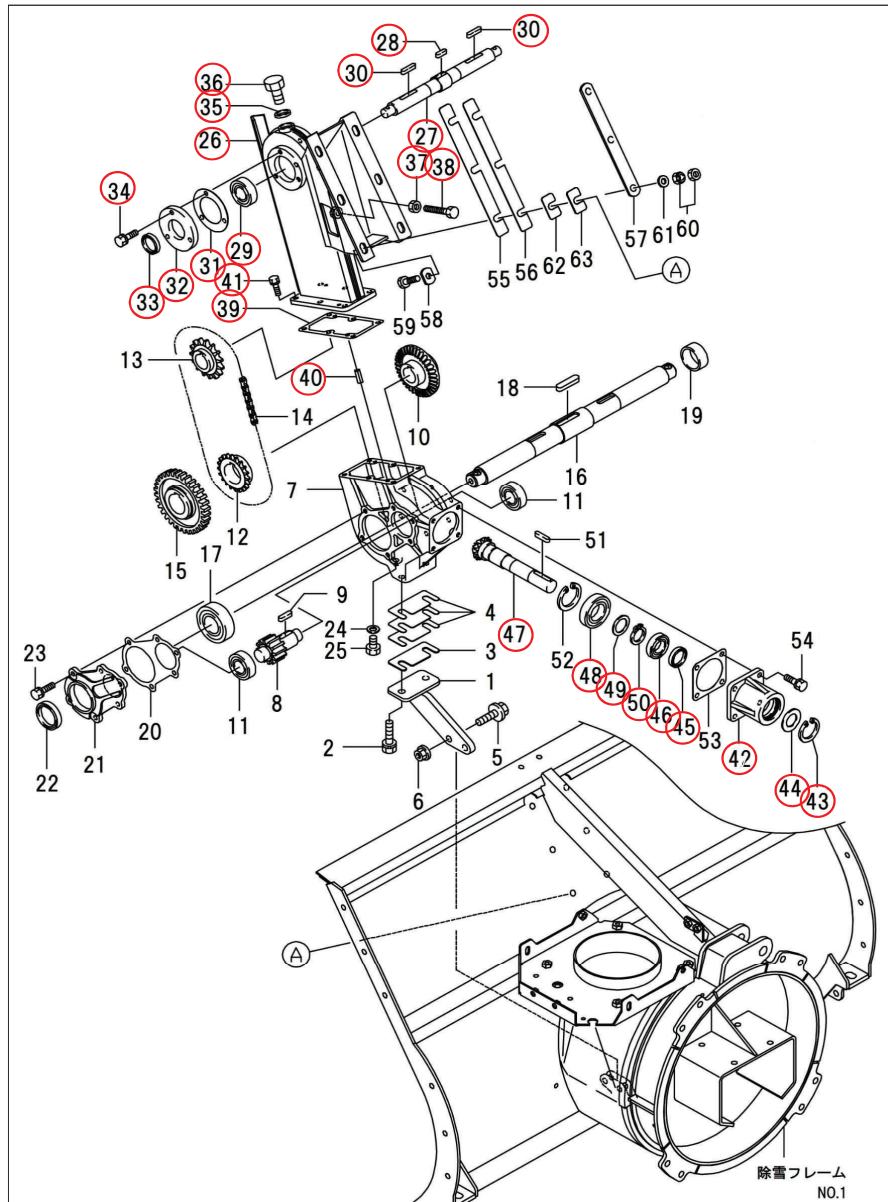
No	Parts Number	Parts Name	Quantity	Recommend Rank	Remark
41	38905-B72-801	COVER, MOTOR	1		
42	81100-B53-002	MOTOR, JC578VA	1	B	
43	91217-0601674	SCREW, 6 × 16	1		
44	91316-2140	BAND, CABLE CV-140SW	2		
45	33902-B56-002	GEAR, M2 × 32	1		
46	33903-B56-003	GEAR, M2 × 18	1		
47	91644-121080	BUSH, 80F-1210	1	C	
48	93100-0601617	BOLT, FLANGE 6 × 16	3		
49	93100-0601217	BOLT, FLANGE 6 × 12	6		
50	94101-08010	WASHER, PLAIN 8	1		
51	94210-25150	PIN, SPLIT 2.5 × 15	1		
52	94101-12010	WASHER, PLAIN 12	1		
53	94511-09010	RING E, 9	1		
54	91315-C4397	CLIP, CABLE C-4397	1		
55	93500-0301614	SCREW, PAN 3 × 16	2		
56	94101-03010	WASHER, PLAIN 3	4		
57	94111-03012	WASHER, SPG 3	2		
58	94001-03412	NUT, 3	2		
59	91314-11765	STRAP, CABLE 1-1765	1		
60	33904-B01-104	SPRING, COIL 19.7 × 127	1	B	
61	91580-2000801	TUBE, SPIRAL 20 × 80	1		
62	94002-08410	NUT, FLANGE 8	2		



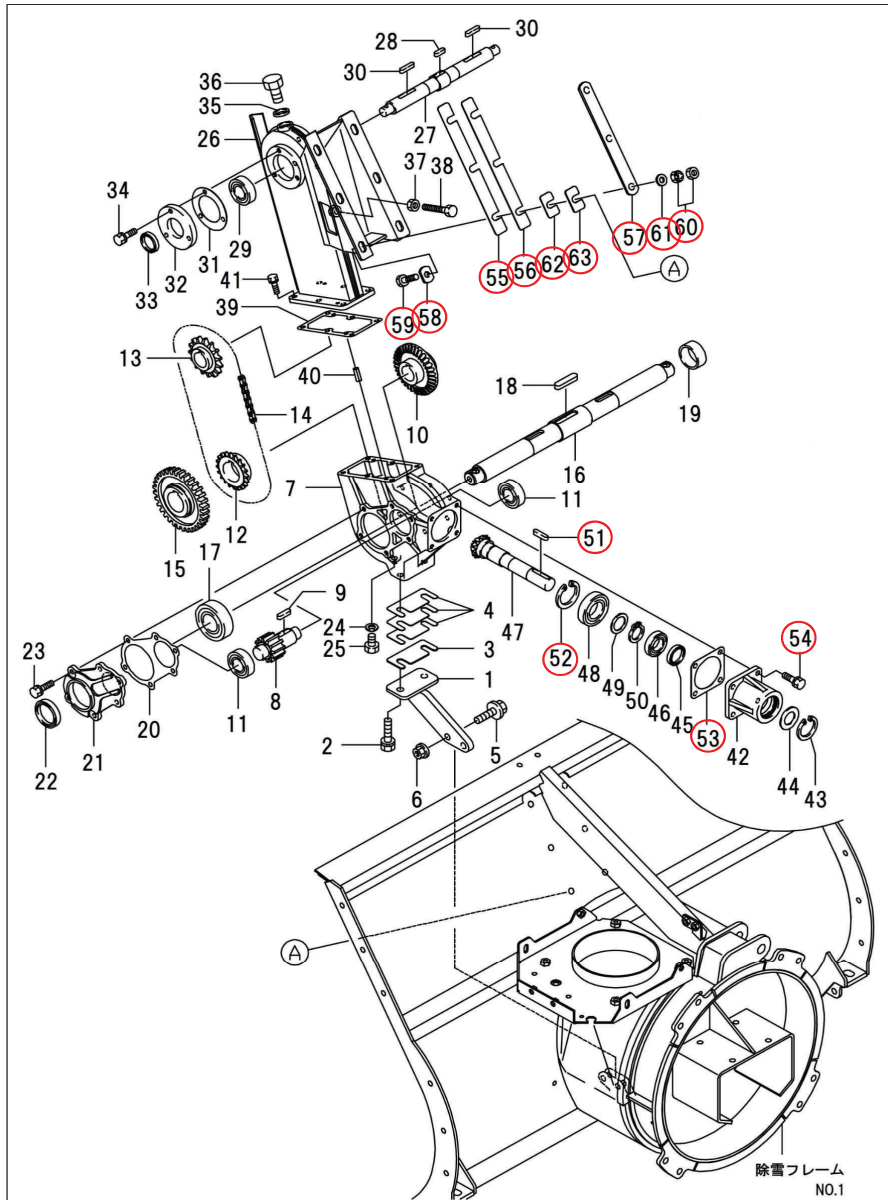
No	Parts Number	Parts Name	Quantity	Recommend Rank	Remark
1	31300-B72-830	BRACKET, MOTOR	1		
2	81100-B82-001	MOTOR, 8157	1	B	
3	93100-0801617	BOLT, FLANGE 8×16	3		
4	33905-B72-031	GEAR, MOTOR	1	C	
5	38902-B72-000	WHEEL, NYLON	1	C	
6	91358-1151930	GROMMET, NG-79-M	1		
7	91314-119P7	STRAP, CABLE 1-19P7	2		
9	93100-0601617	BOLT, FLANGE 6×16	3		
10			0		
11	38100-B97-801	STAY COMP, COVER	1		
12	38400-B97-100	COVER A COMP, CHUTE BASE	1		
13	38500-B97-100	COVER B COMP, CHUTE BASE	1		
14	93100-0801617	BOLT, FLANGE 8×16	11		



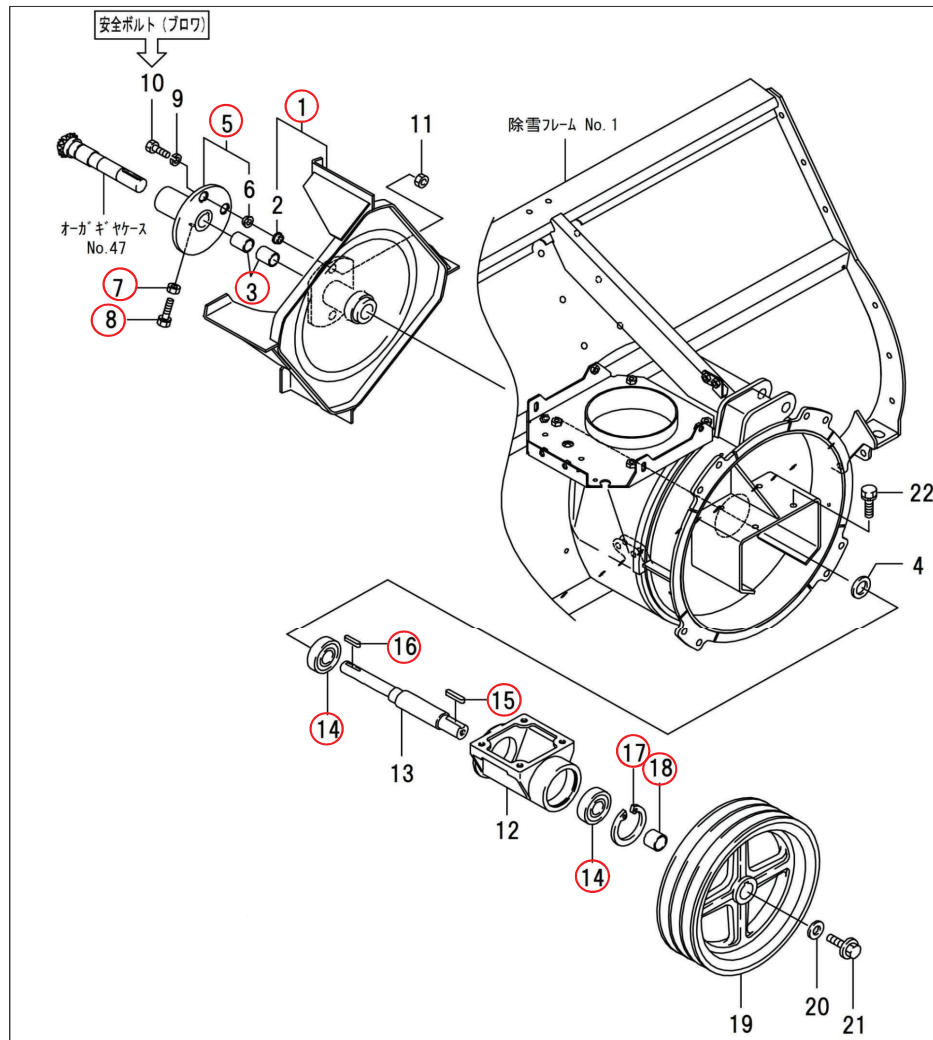
No	Parts Number	Parts Name	Quantity	Recommend Rank	Remark
1	31200-B54-800	SUPPORT COMP, GEAR CASE	1		
2	91219-1030010	BOLT, SPECIAL 10×30	2		
3	31907-A71-001	LINER, GEAR CASE 2.0	1		
4	31908-A71-001	LINER, GEAR CASE 0.6	3		
5	93300-1003517	BOLT, FLANGE 10×1.25×35	2		
6	94006-10410	NUT, FLANGE 10×1.25	2		
7	31911-A26-701	CASE, AUGER GEAR	1	C	
8	32903-A71-002	GEAR, SPUR M3.5×12	1	C	
9	97115-030241	KEY, 8×7×30RR	1	B	
10	32907-A70-001	GEAR, BEVEL M3×33	1	C	
11	96100-06205	BEARING, 6205	2	B	
12	32907-A09-000	SPROCKET, 40×18 UNDER	1	C	
13	32908-A09-000	SPROCKET, 40×18 UPPER	1	C	
14	91911-A26-000	CHAIN, ROLLER 40×78	1	C	
15	32904-A71-002	GEAR, SPUR M3.5×34	1	C	
16	34910-B97-002	SHAFT, LOWER AUGER	1	C	
17	96100-06207	BEARING, 6207	2	B	
18	97117-052241	KEY, 12×8×52RR	1	B	
19	32909-A09-001	COLLER, 40×19	1	C	
20	31903-A71-001	PACKING, GEAR CASE COVER	2	B	
21	31904-A09-730F1	COVER, GEAR CASE	2	C	
22	98251-3505511	SEAL, OIL D355511	2	B	
23	91219-0825010	BOLT, SPECIAL 8×25	12	B	
24	91691-1018305	PACKING, 10×18×3	1	A	
25	92000-1001614	BOLT, 10×16	1	A	



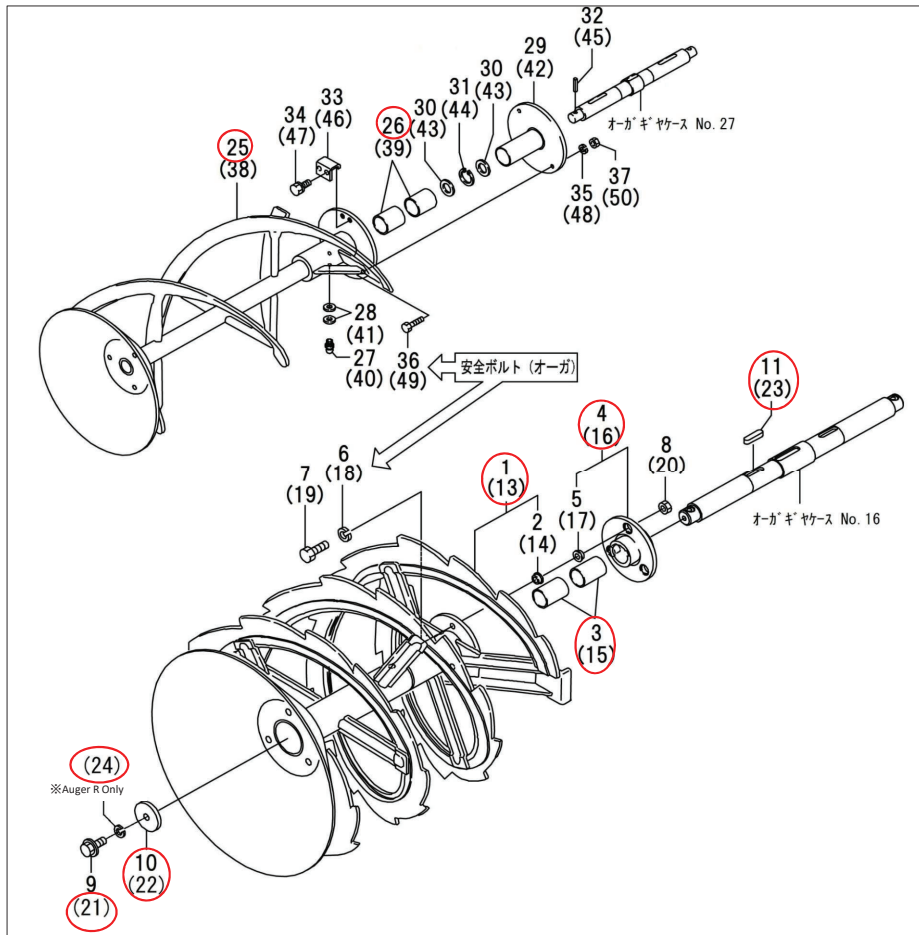
No	Parts Number	Parts Name	Quantity	Recommend Rank	Remark
26	31600-A26-807	CASE COMP, CHAIN	1	C	
27	34901-B18-002	SHAFT, UPPER ROTOR	1	C	
28	97114-023240	KEY, 7×7×23RR	1	B	
29	96100-06205	BEARING, 6205	2	B	
30	97114-033041	KEY, 7×7×33S	2	B	
31	31908-A26-001	PACKING, UPPER ROTOR COVER	2	B	
32	31909-A26-801	COVER, UPPER ROTOR	2	C	
33	98251-2504008	SEAL, OIL D25408	2	B	
34	91219-0825010	BOLT, SPECIAL 8×25	6	B	
35	91902-A53-000	PACKING, OIL CAP	1	B	
36	91901-A53-000	CAP, OIL	1	C	
37	94003-10412	NUT, SPECIAL 10	1	C	
38	92201-1006514	BOLT, 10×65	1	C	
39	31902-A71-001	PACKING, GEAR CASE	1	B	
40	94319-60016	PIN, SPG 6×16	2	B	
41	91219-0825010	BOLT, SPECIAL 8×25	6	B	
42	31906-A70-700	HOUSING, INPUT	1	C	
43	94520-45080	CIRCLIP, IN 45	1	C	
44	31906-A71-000	WASHER, PROTECT	1	B	
45	98251-2504008	SEAL, OIL D25408	1	B	
46	96100-06005	BEARING, 6005	1	B	
47	32901-B18-000	GEAR, BEVEL M3×14	1	C	
48	96100-06028	BEARING, 60/28	1	B	
49	32905-A70-000	WASHER, THRUST 28×40×2	1	C	
50	94510-28080	CIRCLIP, E×28	1	C	



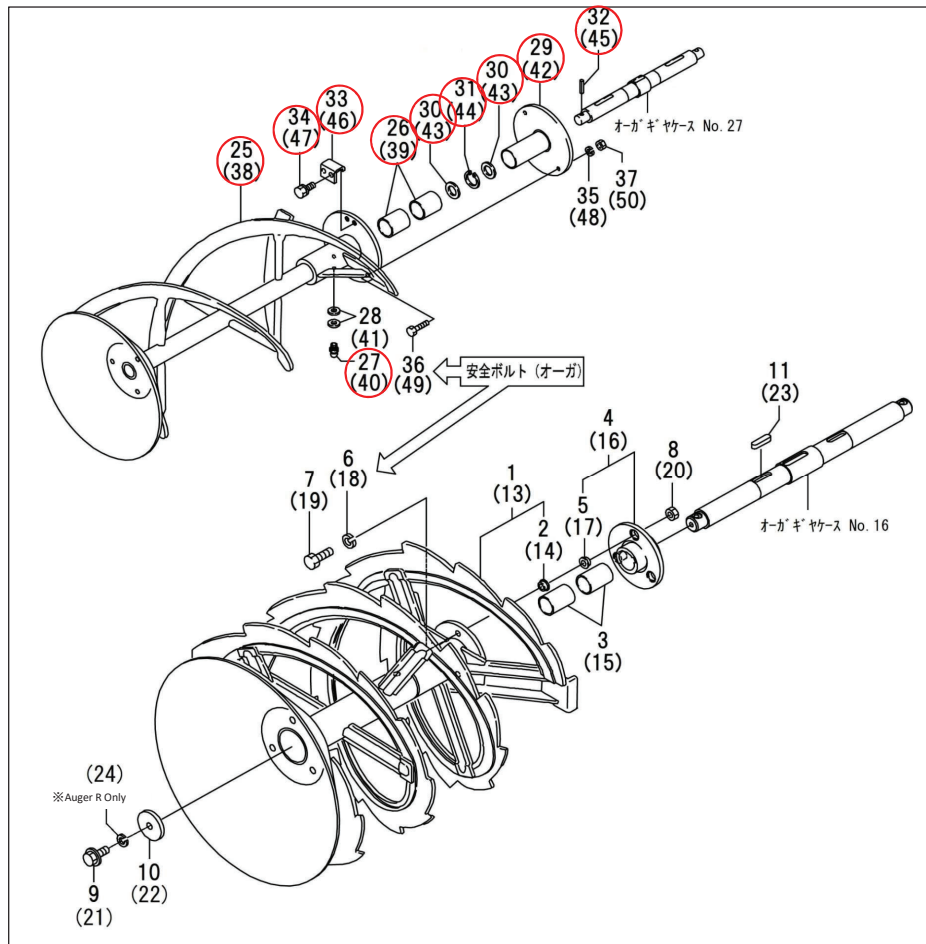
No	Parts Number	Parts Name	Quantity	Recommend Rank	Remark
51	97114-033041	KEY, 7×7×33S	1	B	
52	94520-52080	CIRCLIP, IN 52	1	B	
53	31905-A71-001	PACKING, INPUT HOUSING	1	B	
54	91219-0825010	BOLT, SPECIAL 8×25	4	B	
55	31901-B56-001	LINER, CHAIN CASE ADJUST 1.0	2	B	
56	31902-B56-001	LINER, CHAIN CASE ADJUST 2.0	5	B	
57	31913-A09-400	WASHER, SPECIAL	2	C	
58	31901-A58-000	WASHER, CHAIN CASE	6	C	
59	92200-1004017	BOLT, 10×40	6	C	
60	91235-10100	NUT, HARD LOCK 10	6	C	
61	94101-10010	WASHER, PLAIN 10	6	C	
62	31903-B72-000	SHIM, 1	2	C	
63	31904-B72-000	SHIM, 2	3	C	



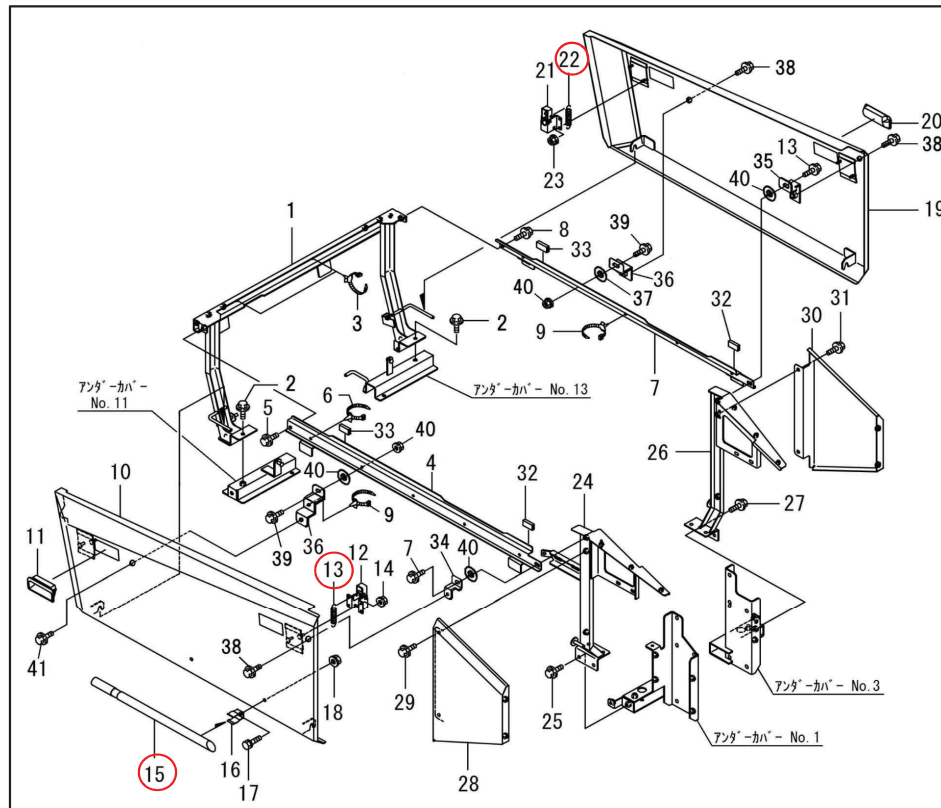
No	Parts Number	Parts Name	Quantity	Recommend Rank	Remark
1	36100-A94-810	BLOWER COMP	1	C	
2	35901-A30-000	BUSH, AUGER SHARE	2		
3	91646-2530R	BUSH, BM2530FS	2	B	
4	34902-A98-001	COLLER, 25 × 4.5	1		
5	36200-A94-800	JOINT COMP, AUGER	1	C	
6	35901-A30-000	BUSH, AUGER SHARE	1		
7	94003-10412	NUT, SPECIAL 10	1	C	
8	91212-1030147	BOLT, SPECIAL 10 × 30	1	C	
9	94111-10012	WASHER, SPG 10	1		
10	92001-1003014	BOLT, 10 × 30	1		
11	94001-10412	NUT, 10	1		
12	36901-A91-701	CASE, BEARING BLOWER SHAFT	1		
13	34902-B30-000	SHAFT, BLOWER	1		
14	96105-06306	BEARING, 6306UU	2	C	
15	97115-040041	KEY, 8 × 7 × 40S	1	C	
16	97114-033041	KEY, 7 × 7 × 33S	1	B	
17	94520-72080	CIRCLIP, IN 72	1	C	
18	34903-B30-000	COLLER, 30 × 24	1		
19	63901-B54-700	PULLEY, 284C-3 × 30	1		
20	91251-1035451	WASHER, RD 10 × 35 × 4.5	1		
21	93300-1002017	BOLT, FLANGE 10 × 1.25 × 20	1		
22	93000-1002517	BOLT, SPECIAL 10 × 25	4		



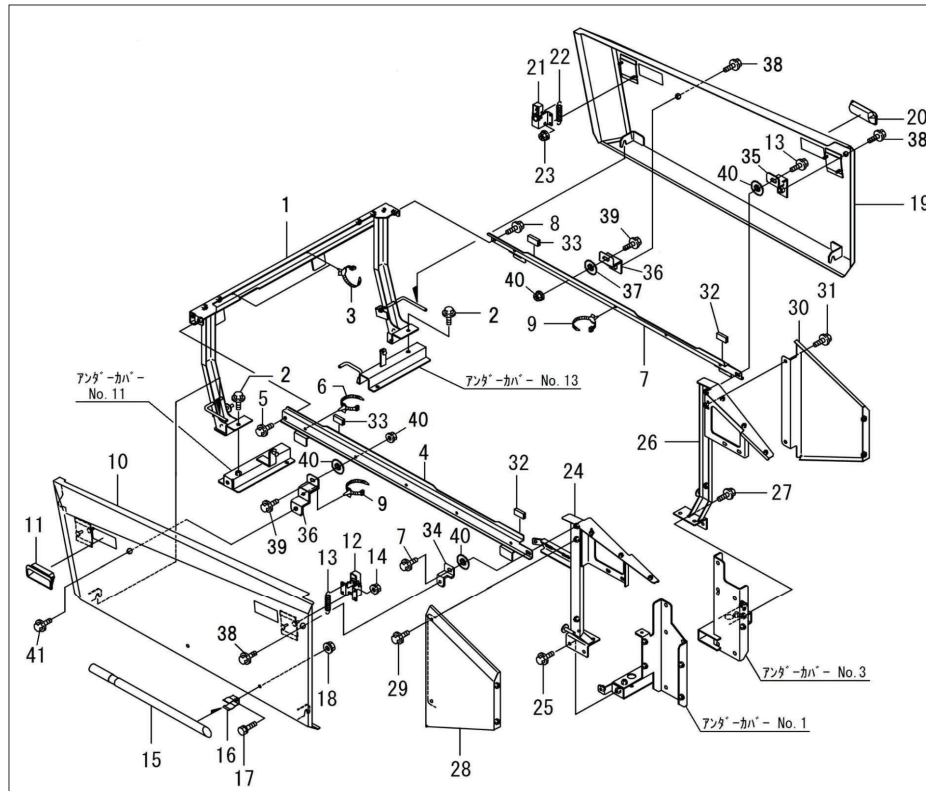
No	Parts Number	Parts Name	Quantity	Recommend Rank	Remark
1	35100-B56-808	AUGER L COMP, LOWER	1	C	
2	35901-A30-000	BUSH, AUGER SHARE	2		
3	91646-3550R	BUSH, BM3550FS	2	B	
4	35500-B72-802	FLANGE COMP, AUGER SHARE	1	B	
5	35901-A30-000	BUSH, AUGER SHARE	3		
6	94111-10012	WASHER, SPG 10	1		
7	92001-1003014	BOLT, 10×30	1		
8	94001-10412	NUT, 10	1		
9	93300-1002017	BOLT, FLANGE 10×1.25×20	1		
10	91251-1045601	WASHER, RD 10×45×6.0	1	B	
11	97116-040241	KEY, 10×8×40RR	1	B	
13	35200-B56-808	AUGER R COMP, LOWER	1	C	
14	35901-A3-000	BUSH, AUGER SHARE	2		
15	91646-3550R	BUSH, BM3550FS	2	B	
16	35500-B72-802	FLANGE COMP, AUGER SHARE	1	B	
17	35901-A3-000	BUSH, AUGER SHARE	2		
18	94111-10012	WASHER, SPG 10	1		
19	92001-1003014	BOLT, 10×30	1		
20	94001-10412	NUT, 10	1		
21	91225-1002017	BOLT, SPECIAL 10×1.25×20	1	B	
22	91251-1045601	WASHER, RD 10×45×6.0	1	B	
23	97116-040241	KEY, 10×8×40RR	1	B	
24	91254-10012	WASHER, SPECIAL 10	1	B	
25	35300-B56-801	AUGER L COMP, UPPER	1	C	
26	91646-3540R	BUSH, BM3540FS	2	B	



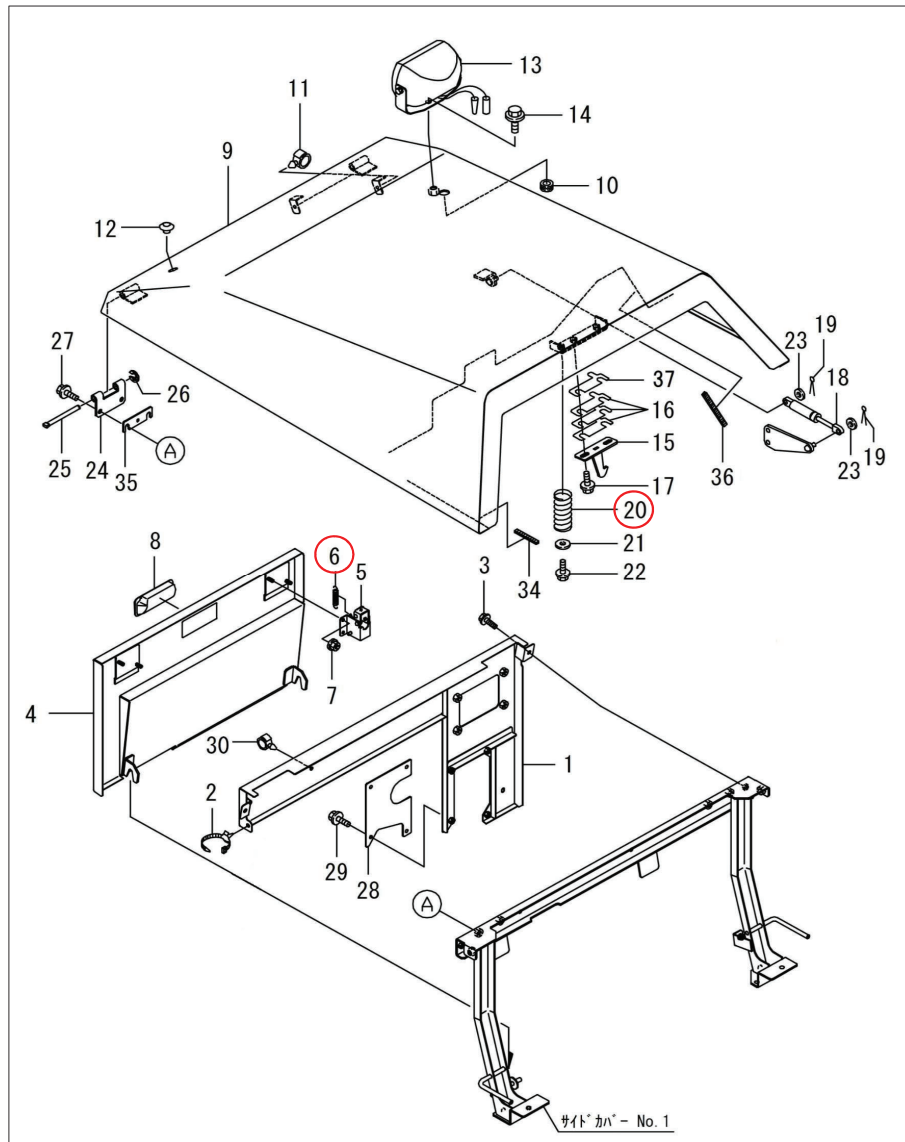
No	Parts Number	Parts Name	Quantity	Recommend Rank	Remark
27	96381-20000	NIPPLE, GREASE A-MT6×1	1	B	
28	94101-06010	WASHER, PLAIN 6	2		
29	35100-B18-802	FLANGE COMP, UPPER SHARE	1	B	
30	91251-1830321	WASHER, RD 18×30×3.2	2	B	
31	94520-30080	CIRCLIP, IN 30	1	B	
32	94319-60025	PIN, SPG 6×25	1	B	
33	35903-A09-000	STOPPER	1	B	
34	93000-0801217	BOLT, SPECIAL 8×12	2	B	
35	94111-06012	WASHER, SPG 6	1		
36	92001-0602514	BOLT, 6×25	1		
37	94001-06412	NUT, 6	1		
38	35400-B56-801	AUGER R COMP, UPPER	1	C	
39	91646-3540R	BUSH, BM3540FS	2	B	
40	96381-20000	NIPPLE, GREASE A-MT6×1	1	B	
41	94101-06010	WASHER, PLAIN 6	2		
42	35100-B18-802	FLANGE COMP, UPPER SHARE	1	B	
43	91251-1830321	WASHER, RD 18×30×3.2	2	B	
44	94520-30080	CIRCLIP, IN 30	1	B	
45	94319-60025	PIN, SPG 6×25	1	B	
46	35903-A09-000	STOPPER	1	B	
47	93000-0801217	BOLT, SPECIAL 8×12	2	B	
48	94111-06012	WASHER, SPG 6	1		
49	92001-0602514	BOLT, 6×25	1		
50	94001-06412	NUT, 6	1		



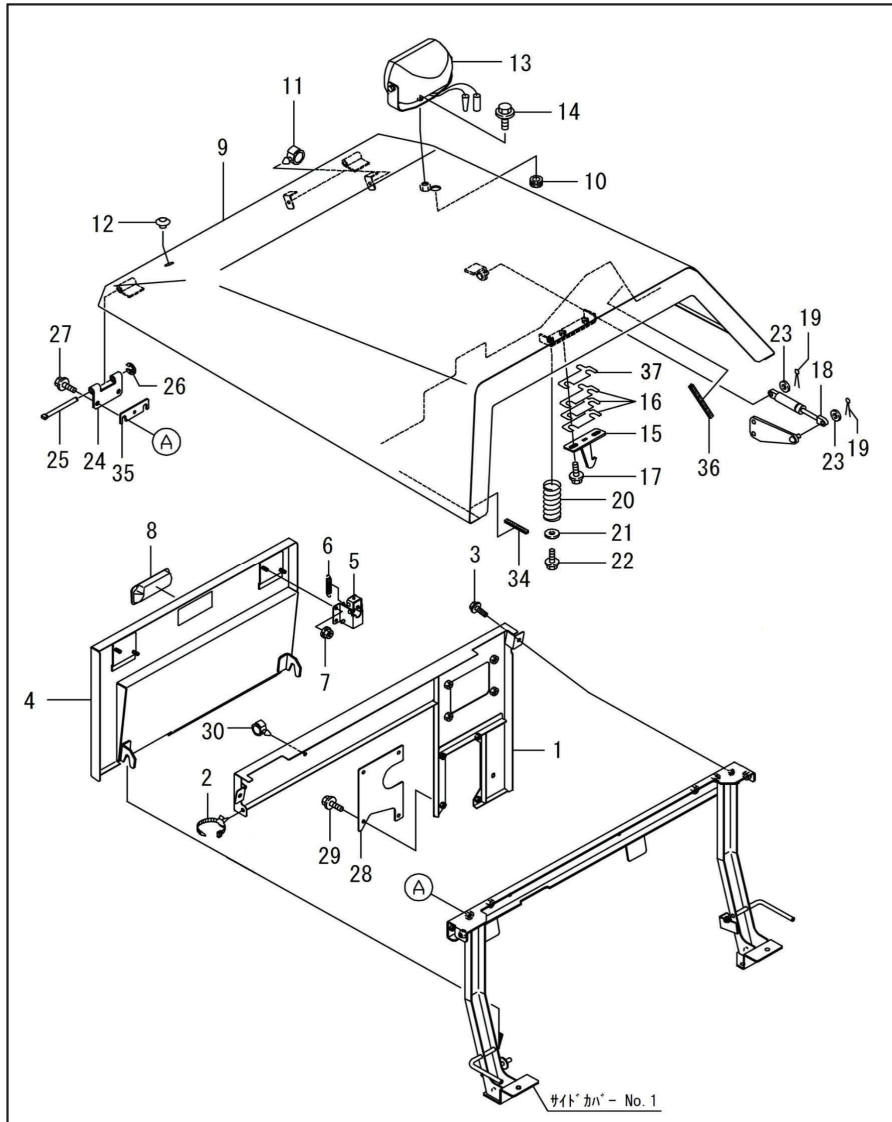
No	Parts Number	Parts Name	Quantity	Recommend Rank	Remark
1	48400-B72-801	FRAME COMP, FRONT	1		
2	93100-0801617	BOLT, FLANGE 8×16	4		
3	91314-119P7	STRAP, CABLE 1-19P7	2		
4	47100-B72-802	FRAME L COMP, SIDE	1		
5	93100-0801617	BOLT, FLANGE 8×16	2		
6	91314-119P7	STRAP, CABLE 1-19P7	2		
7	47200-B72-802	FRAME R COMP, SIDE	1		
8	93100-0801617	BOLT, FLANGE 8×16	2		
9	91314-119P7	STRAP, CABLE 1-19P7	3		
10	49200-B97-100	COVER L COMP, SIDE	1		
11	48901-B69-030	HANDLE, AP-197-1-3	2		
12	48800-B65-000	STOPPER COMP, SIDE COVER	2		
13	91602-B18-002	SPRING, COIL 9.5×42	2	C	
14	94002-06410	NUT, FLANGE 6	4		
15	39901-B51-001	BAR, SNOW DROP	1	B	
16	39902-A65-001	STOPPER, BAR	2		
17	92200-0801617	BOLT, 8×16	2		
18	94002-08410	NUT, FLANGE 8	2		
19	49300-B97-100	COVER R COMP, SIDE	1		
20	48901-B69-030	HANDLE, AP-197-1-3	2		
21	48800-B65-000	STOPPER COMP, SIDE COVER	2		
22	91602-B18-002	SPRING, COIL 9.5×42	2	C	
23	94002-06410	NUT, FLANGE 6	4		
24	48500-B72-804	FRAME L COMP, REAR COVER	1		



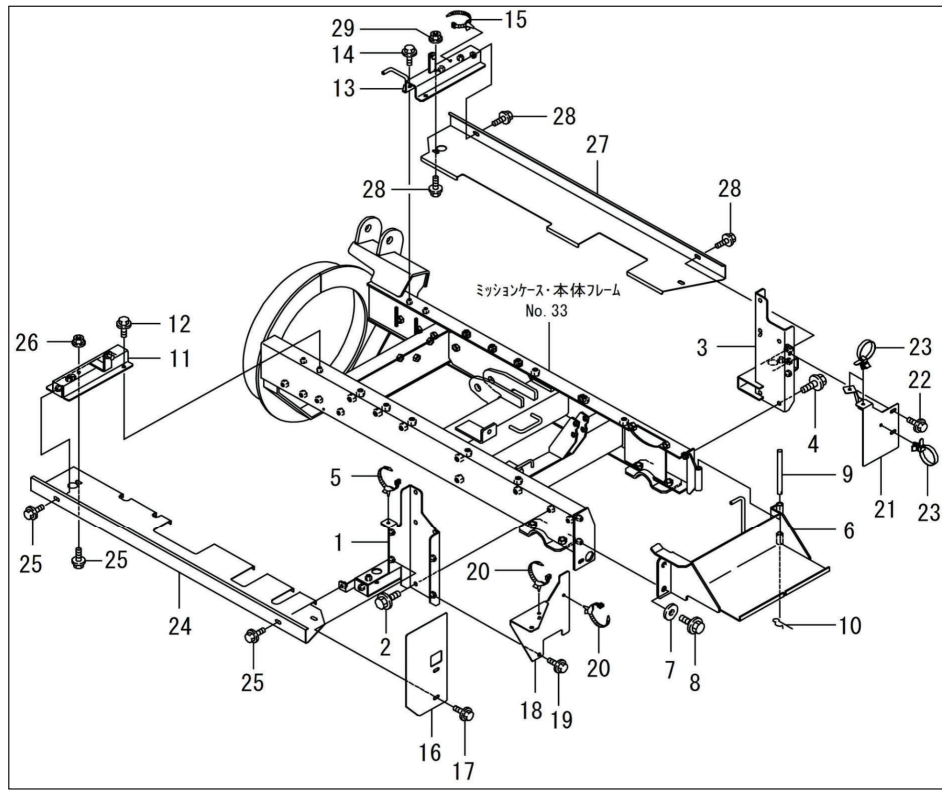
No	Parts Number	Parts Name	Quantity	Recommend Rank	Remark
25	93100-0801617	BOLT, FLANGE 8 × 16	2		
26	48600-B72-804	FRAME R COMP, REAR COVER	1		
27	93100-0801617	BOLT, FLANGE 8 × 16	2		
28	48700-B72-101	COVER L COMP, REAR SIDE	1		
29	93100-0801617	BOLT, FLANGE 8 × 16	2		
30	48800-B72-101	COVER R COMP, REAR SIDE	1		
31	93100-0801617	BOLT, FLANGE 8 × 16	2		
32	48903-B53-000	RUBBER, 12 × 25	2		
33	48903-B53-000	RUBBER, 12 × 25	2		
34	49400-B97-800	STAY AL COMP, COVER	2		
35	49500-B97-800	STAY AR COMP, COVER	1		
36	49700-B97-800	STAY B COMP, COVER	2		
37	94100-08015	WASHER, PLAIN 8	4		
38	93100-0801617	BOLT, FLANGE 8 × 16	4		
39	93100-0601617	BOLT, FLANGE 6 × 16	2		
40	94002-06410	NUT, FLANGE 6	2		



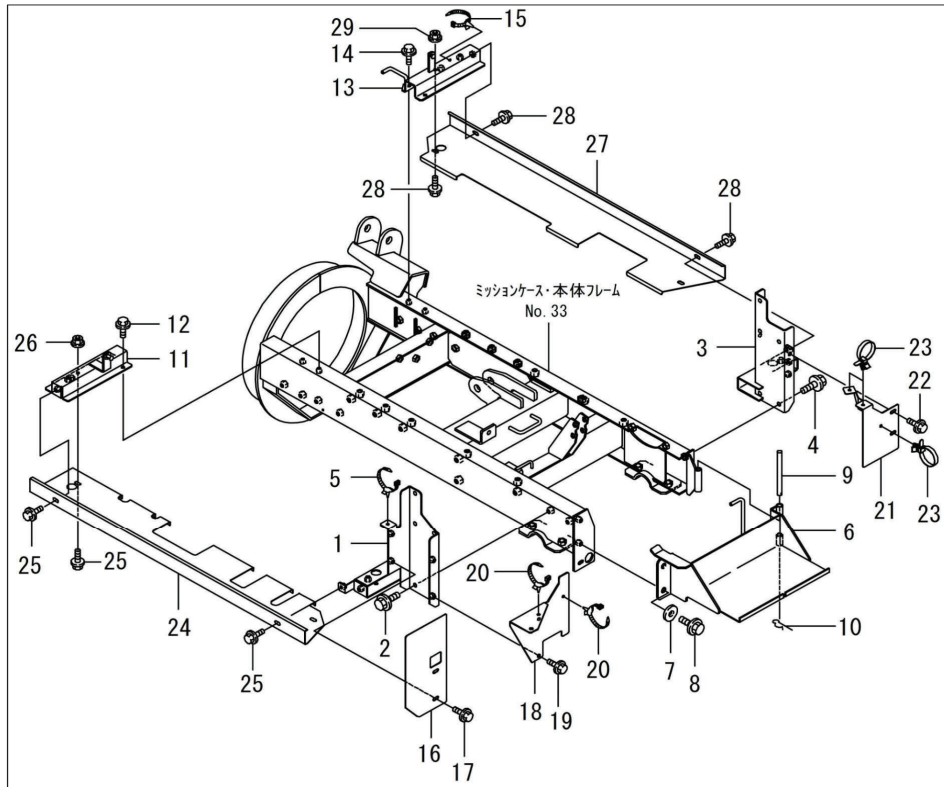
No	Parts Number	Parts Name	Quantity	Recommend Rank	Remark
1	49100-B97-800	COVER COMP, FRONT UPPER	1		
2	91314-11W02	STRAP, CABLE 1-1W02	1		
3	93100-0601217	BOLT, FLANGE 6×12	3		
4	49200-B72-830	COVER COMP, FRONT LOWER	1		
5	49500-B72-000	STOPPER COMP, COVER	2		
6	91602-B18-002	SPRING, COIL 9.5×42	2	C	
7	94002-06410	NUT, FLANGE 6	4		
8	48901-B69-030	HANDLE, AP-197-1-3	1		
9	48100-B74-003	BONNET COMP	1		
10	91351-1081020	BUSH, RUBBER BSB-21	1		
11	91315-C4397	CLIP, CABLE C-4397	2		
12	91361-18N0	PLUG, HOLE 18N0	1		
13	91820-0181003	LAIGHT, 18W	1		
14	93300-1002017	BOLT, FLANGE 10×1.25×20	1		
15	76800-B56-801	HOOK COMP	1		
16	31902-B18-000	SHIM	3		
17	93100-0802017	BOLT, FLANGE 8×20	2		
18	40001-B18-000	DAMPER, 084603	1		
19	94210-25150	PIN, SPLIT 2.5×15	2		
20	91603-B18-000	SPRING, BONNET	1	C	
21	94101-06015	WASHER, PLAIN 6	1		
22	93100-0601617	BOLT, FLANGE 6×16	1		
23	94101-08010	WASHER, PLAIN 8	2		
24	49901-B72-802	HINGE, BONNET	2		



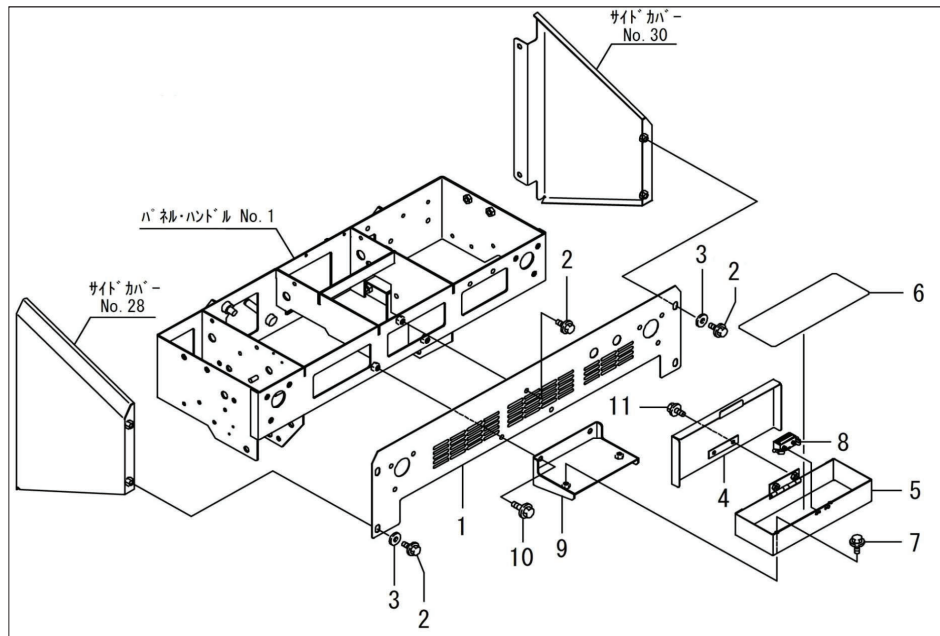
No	Parts Number	Parts Name	Quantity	Recommend Rank	Remark
25	49902-B72-000	PIN, HINGE	2		
26	94511-07010	E RING, 7	2		
27	93100-0802017	BOLT, FLANGE 8×20	4		
28	48907-B72-801	PLATE, FRONT GURD	1		
29	93100-0601217	BOLT, FLANGE 6×12	4		
30	91315-C1E50	CLIP, CABLE C-1E50	2		
34	91360-12040	GROMMET, TH-12(40)	2		
35	48908-B72-800	SHIM	2		
36	91360-12080	GROMMET, TH-12(80)	1		
37	31903-B18-000	SHIM, 0.6	1		



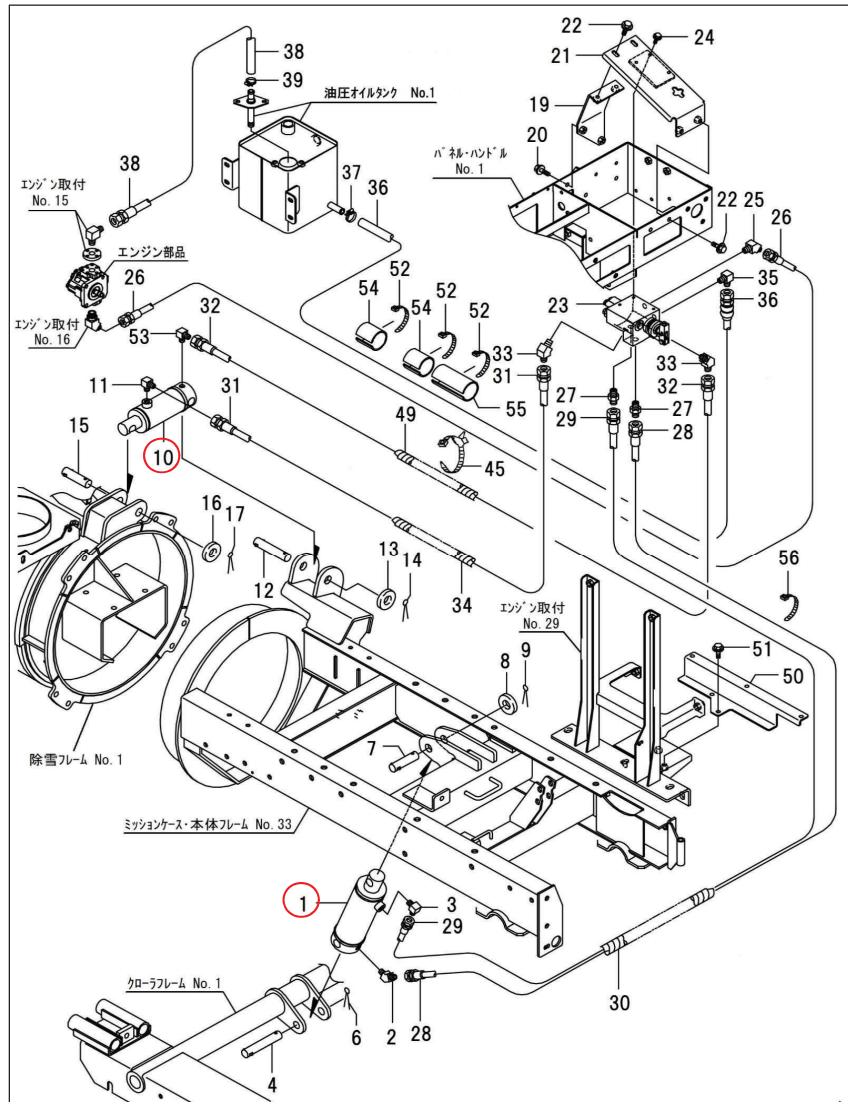
No	Parts Number	Parts Name	Quantity	Recommend Rank	Remark
1	41200-B72-801	BRACKET L COMP, PANEL	1		
2	93300-1002517	BOLT, FLANGE 10×1.25×25	2		
3	41300-B72-802	BRACKET R COMP, PANEL	1		
4	93300-1002517	BOLT, FLANGE 10×1.25×25	2		
5	91314-119P7	STRAP, CABLE 1-19P7	1		
6	41400-B56-802	BASE COMP, BATTERY	1		
7	94101-10015	WASHER, PLAIN 10	2		
8	93300-1002517	BOLT, FLANGE 10×1.25×25	2		
9	91262-121400	PIN, PRESS 12×140	1		
10	94251-120111	PIN A, SNAP 12×2.6	1		
11	48200-B72-801	STAY L COMP, COVER	1		
12	93100-0801617	BOLT, FLANGE 8×16	2		
13	48300-B72-801	STAY R COMP, COVER	1		
14	93100-0801617	BOLT, FLANGE 8×16	2		
15	91314-119P7	STRAP, CABLE 1-19P7	1		
16	48905-B72-800	COVER FL, REAR	1		
17	93100-0801617	BOLT, FLANGE 8×16	2		
18	48906-B72-800	COVER RL, REAR	1		
19	93100-0801617	BOLT, FLANGE 8×16	2		
20	91314-119P7	STRAP, CABLE 1-19P7	2		



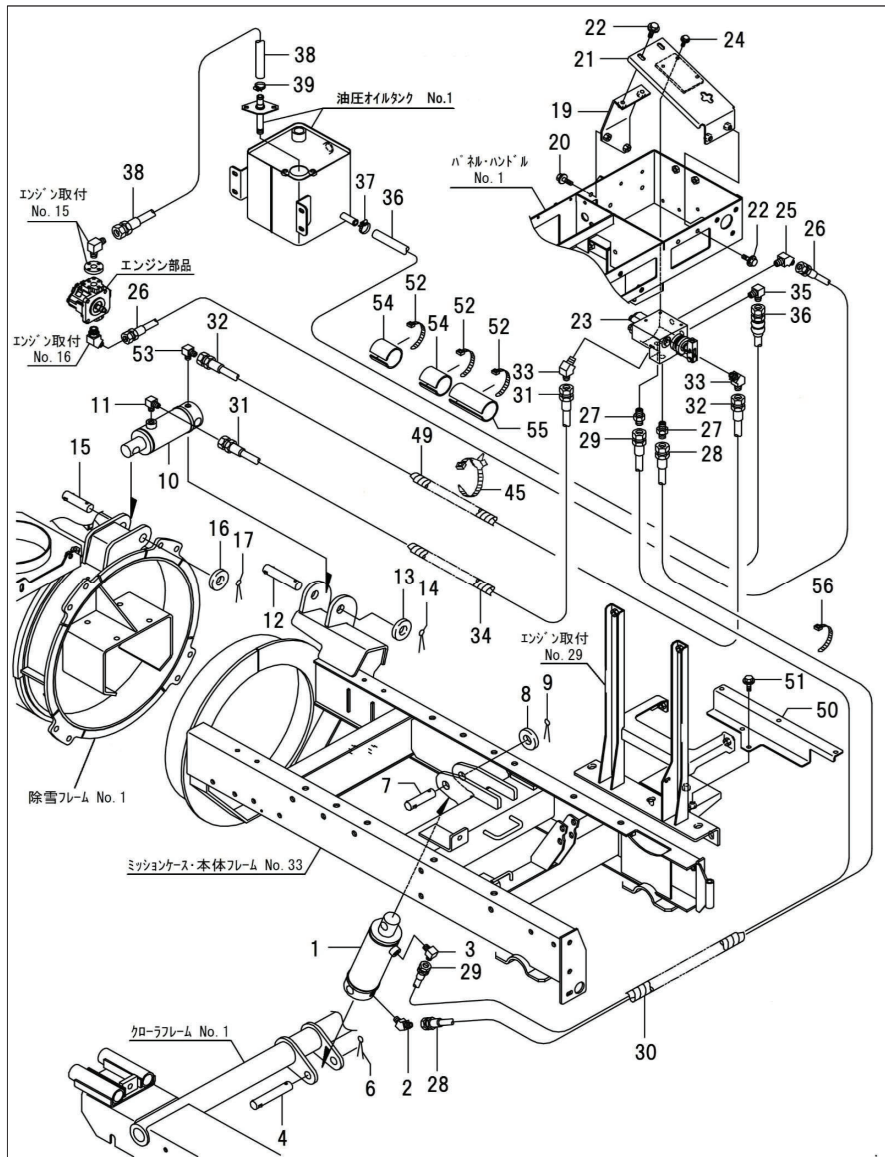
No	Parts Number	Parts Name	Quantity	Recommend Rank	Remark
21	49800-B56-801	COVER RR COMP, REAR	1		
22	93100-0801617	BOLT, FLANGE 8 × 16	2		
23	91314-11765	STRAP, CABLE 1-1765	3		
24	48903-B72-801	COVER L, UNDER	1		
25	93100-0801617	BOLT, FLANGE 8 × 16	4		
26	94002-08410	NUT, FLANGE 8	2		
27	48904-B97-800	COVER R, UNDER	1		
28	93100-0801617	BOLT, FLANGE 8 × 16	5		
29	94002-08410	NUT, FLANGE 8	3		



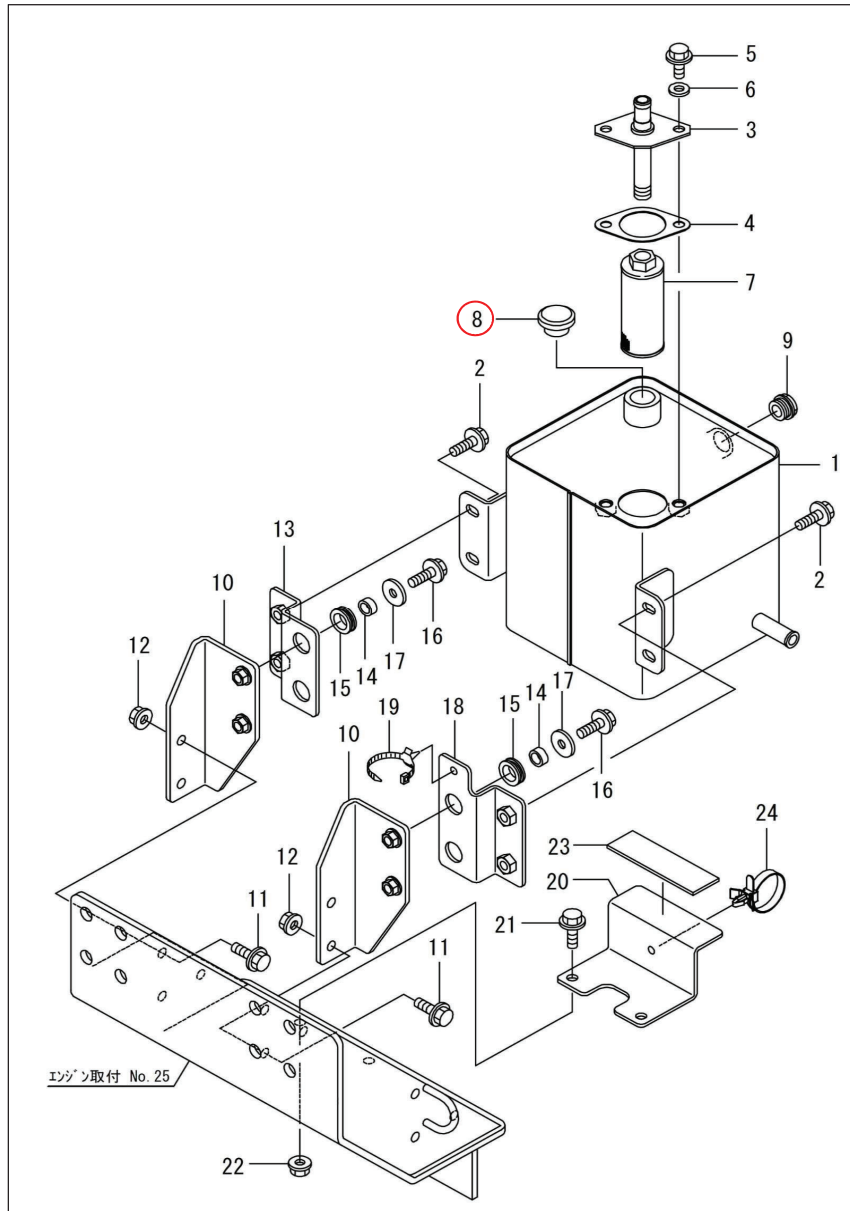
No	Parts Number	Parts Name	Quantity	Recommend Rank	Remark
1	49902-B97-000	COVER, REAR	1		
2	93100-0801617	BOLT, FLANGE 8 × 16	5		
3	94101-08015	WASHER, PLAIN 8	4		
4	42200-B72-800	COVER COMP, TOOL BOX	1		
5	42100-B72-831	BOX COMP, TOOL	1		
6	42901-B53-000	RUBBER	1		
7	93100-0601217	BOLT, FLANGE 6 × 12	2		
8	42901-B72-000	MAGNET, C-931	1		
9	42100-B 97-800	BRACKET COMP, TOOL BOX	1		
10	93100-0802017	BOLT, FLANGE 8 × 20	2		
11	93100-0601257	BOLT, FLANGE 6 × 12	2		



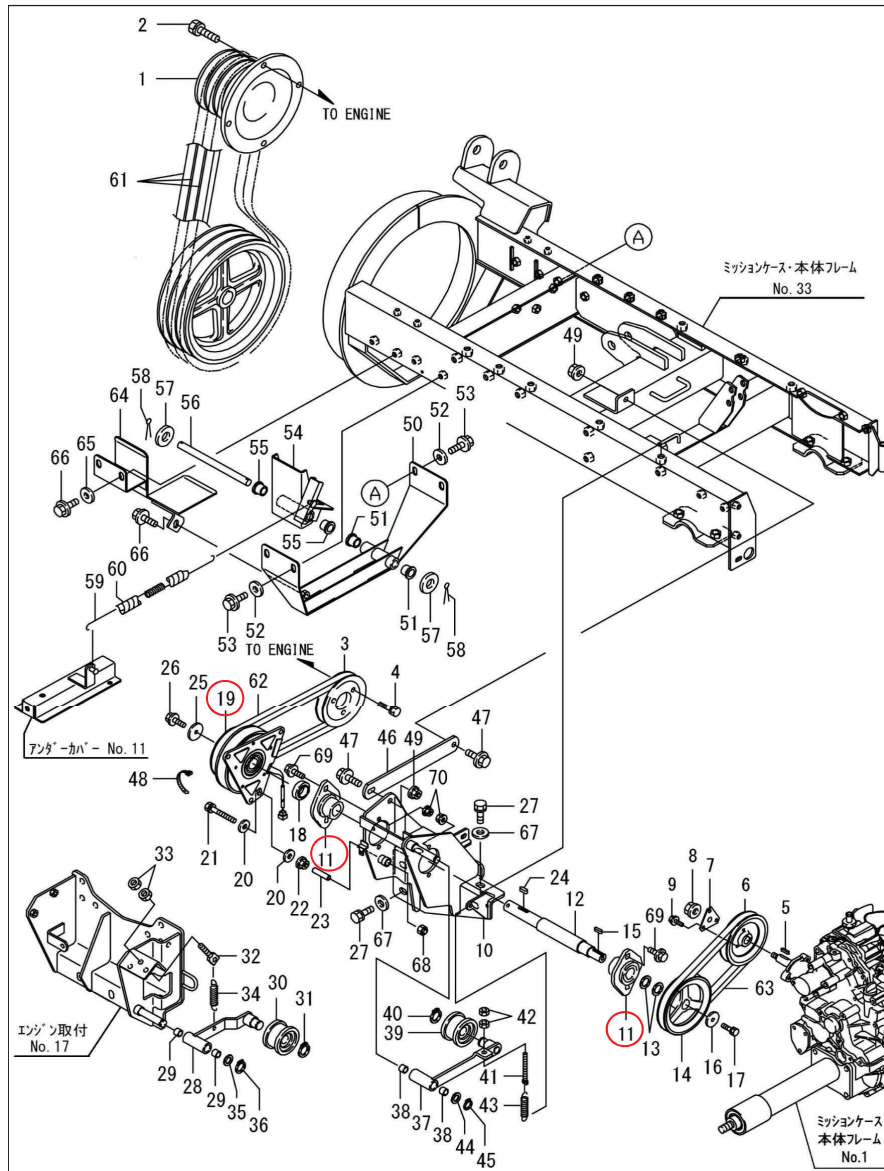
No	Parts Number	Parts Name	Quantity	Recommend Rank	Remark
1	50001-B56-000	CYLINDER ASSY, HYDRAULIC $\phi 60 \times 115$	1	C	
2	51901-B53-001	JOINT, SPECIAL ELBOW 45°	1		
3	91551-3022004	JOINT, ELBOW 302204 90°	1		
4	91261-201101	PIN, 20 \times 110	1		
6	94210-40400	PIN, SPLIT 4 \times 40	1		
7	91261-200751	PIN, 20 \times 75	1		
8	94101-20010	WASHER, PLAIN 20	1		
9	94210-40400	PIN, SPLIT 4 \times 40	1		
10	50002-B56-000	CYLINDER ASSY, HYDRAULIC $\phi 50 \times 60$	1	B	
11	91551-3022004	JOINT, ELBOW 302204 90°	1		
12	91261-201001	PIN, 20 \times 100	1		
13	94101-20010	WASHER, PLAIN 20	1		
14	94210-40400	PIN, SPLIT 4 \times 40	1		
15	91261-200851	PIN, 20 \times 85	1		
16	94101-20010	WASHER, PLAIN 20	1		
17	94210-40400	PIN, SPLIT 4 \times 40	1		
19	51200-B51-800	BRACKET COMP, VALVE BASE	1		
20	93100-0801617	BOLT, FLANGE 8 \times 16	2		
21	51100-B74-801	BASE COMP, VALVE	1		
22	93100-0801617	BOLT, FLANGE 8 \times 16	4		
23	50001-B53-002	VALVE, DCV1	1		
24	93100-0602017	BOLT, FLANGE 6 \times 20	3		



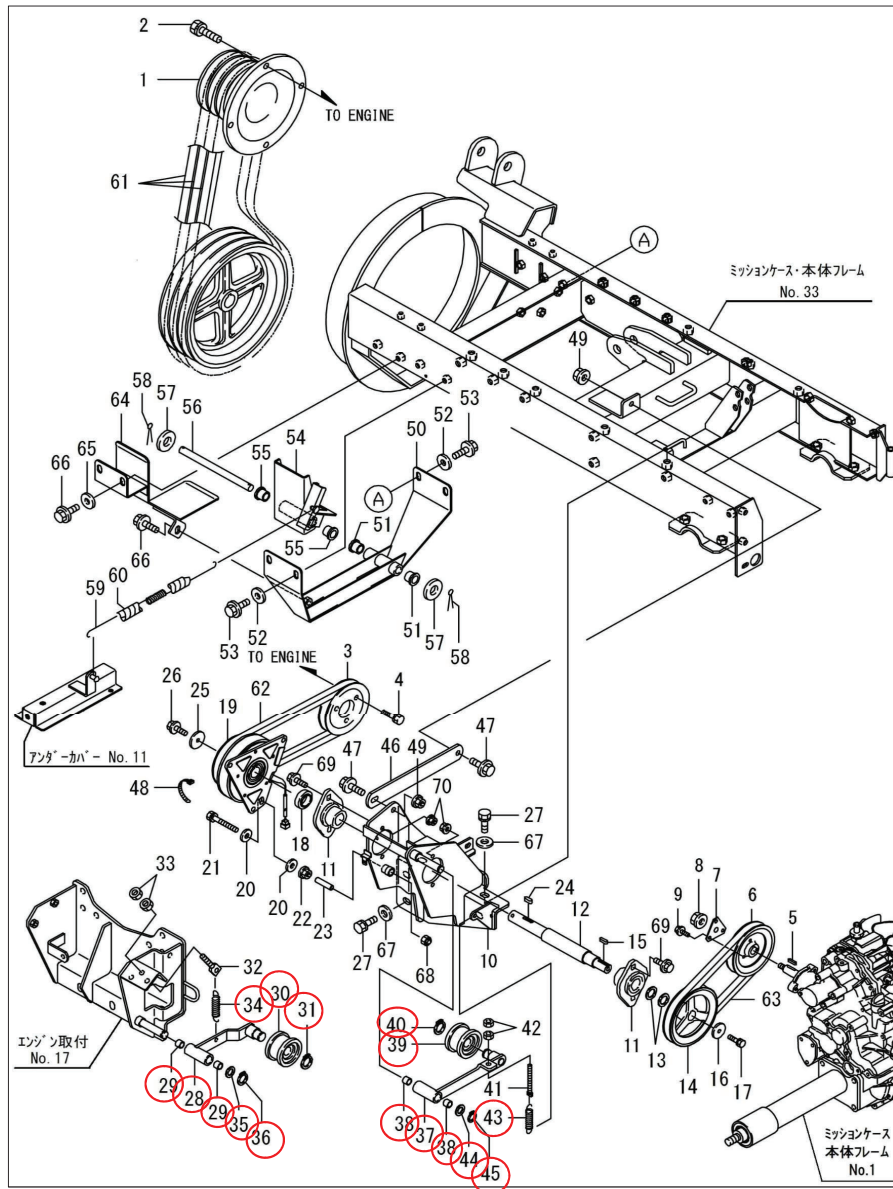
No	Parts Number	Parts Name	Quantity	Recommend Rank	Remark
25	91551-3024004	JOINT, ELBOW 302404 45°	1		
26	91545-2210833	HOSE, HYDRAULIC 1/4 × 1080	1		
27	91551-3002004	ADAPTER, 3002F04	2		
28	91541-2314533	HOSE, HYDRAULIC 1/4 × 1450	1		
29	91541-2314533	HOSE, HYDRAULIC 1/4 × 1450	1		
30	91382-2205001	CORRUGATE 22 × 500	1		
31	91545-2216533	HOSE, HYDRAULIC 1/4 × 1650	1		
32	91545-2215833	HOSE, HYDRAULIC 1/4 × 1580	1		
33	91551-3024004	JOINT, ELBOW 302404 45°	2		
34	91382-1506001	CORRUGATE 15 × 600	1		
35	51903-B53-001	JOINT, ELBOW PT1/4 × PF1/2 90°	1		
36	57200-B97-000	HOSE, HYDRAULIC 910	1		
37	91323-019	CLAMP, HOSE 19	1		
38	57100-B97-001	HOSE, HYDRAULIC 210	1		
39	91323-019	CLAMP, HOSE 19	1		
45	91314-119P7	STRAP, CABLE 1-19P7	1		
49	91382-1505001	CORRUGATE 15 × 500	1		
50	52901-B74-801	STAY, HOSE	1		
51	93100-0801617	BOLT, FLANGE 8 × 16	2		
52	91311-250	BAND, REPEAT RF250	3		
53	67901-A64-001	JOINT, SPECIAL ELBOW 90°	1		
54	53901-B74-000	RUBBER, 150 × 50 × 3	2		
55	53902-B74-000	RUBBER, 150 × 100 × 3	1		
56	91311-140	BAND, REPEAT RF140	1		



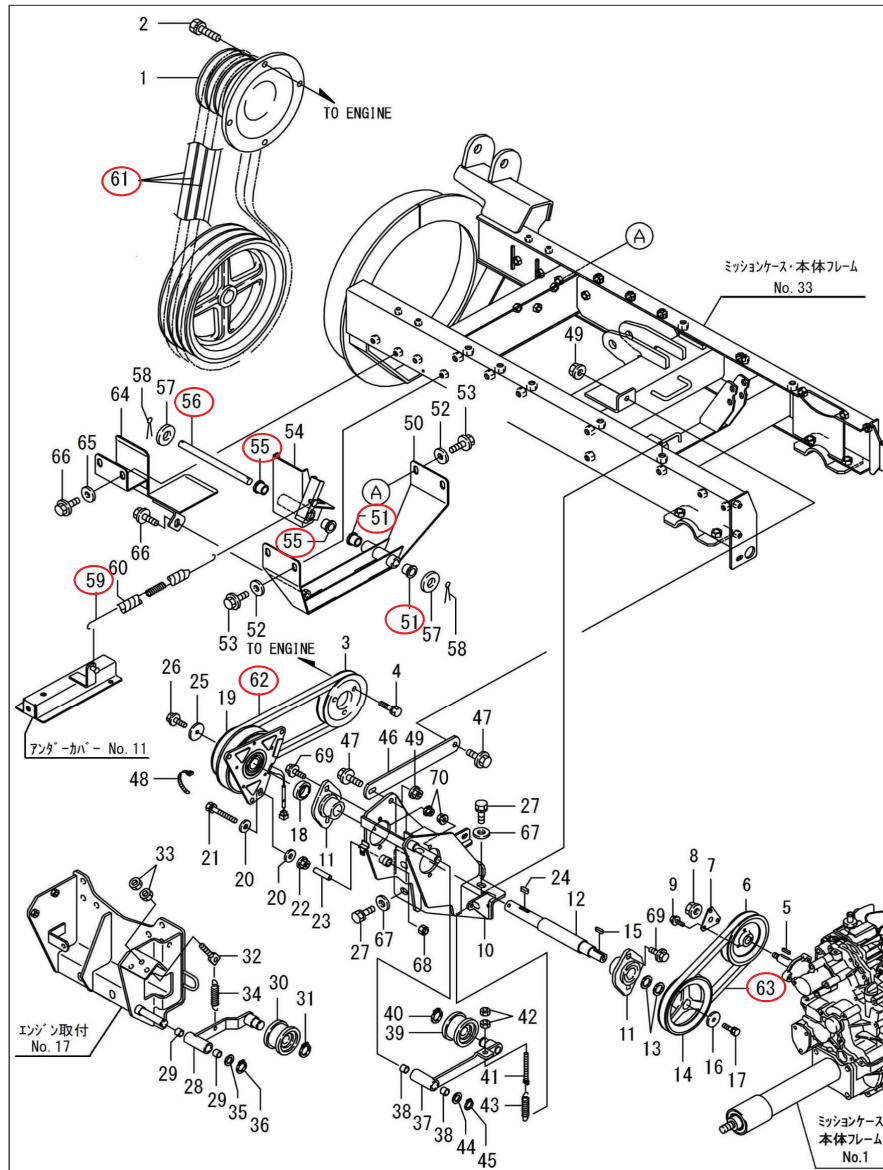
No	Parts Number	Parts Name	Quantity	Recommend Rank	Remark
1	51100-B97-702	TANK COMP, OIL	1		
2	93100-0802517	BOLT, FLANGE 8×25	4		
3	51200-B97-801	PIPE COMP, SUCTION	1		
4	51902-B97-000	PACKING, SUCTION PIPE	1		
5	93100-0801617	BOLT, FLANGE 8×16	2		
6	91526-WF8	WASHER, SEAL WF-8	2		
7	52904-B51-000	FILTER, OIL 35×120	1		
8	19901-R21-000	CAP, OIL KRM-B20	1	B	
9	51901-B97-000	GAUGE, OIL S-3/8	1		
10	51300-B97-800	STAY COMP, OIL TANK	2		
11	93100-0802517	BOLT, FLANGE 8×25	4		
12	94002-08410	NUT, FLANGE 8	4		
13	51500-B97-800	STAY COMP, OIL TANK	1		
14	51904-B97-000	COLLER, 8×6.5	4		
15	91358-1151930	GROMMET, NG-79-M	4		
16	93100-0802517	BOLT, FLANGE 8×25	4		
17	94101-08015	WASHER, PLAIN 8	4		
18	51600-B97-800	STAY B COMP, OIL TANK	1		
19	91314-119P7	STRAP, CABLE 1-19P7	1		
20	51903-B97-800	SUPPORT, OIL TANK	1		
21	93100-0802017	BOLT, FLANGE 8×20	2		
22	94002-08410	NUT, FLANGE 8	2		
23	02903-B69-000	RUBBER	1		
24	91314-11765	STRAP, CABLE 1-1765	1		



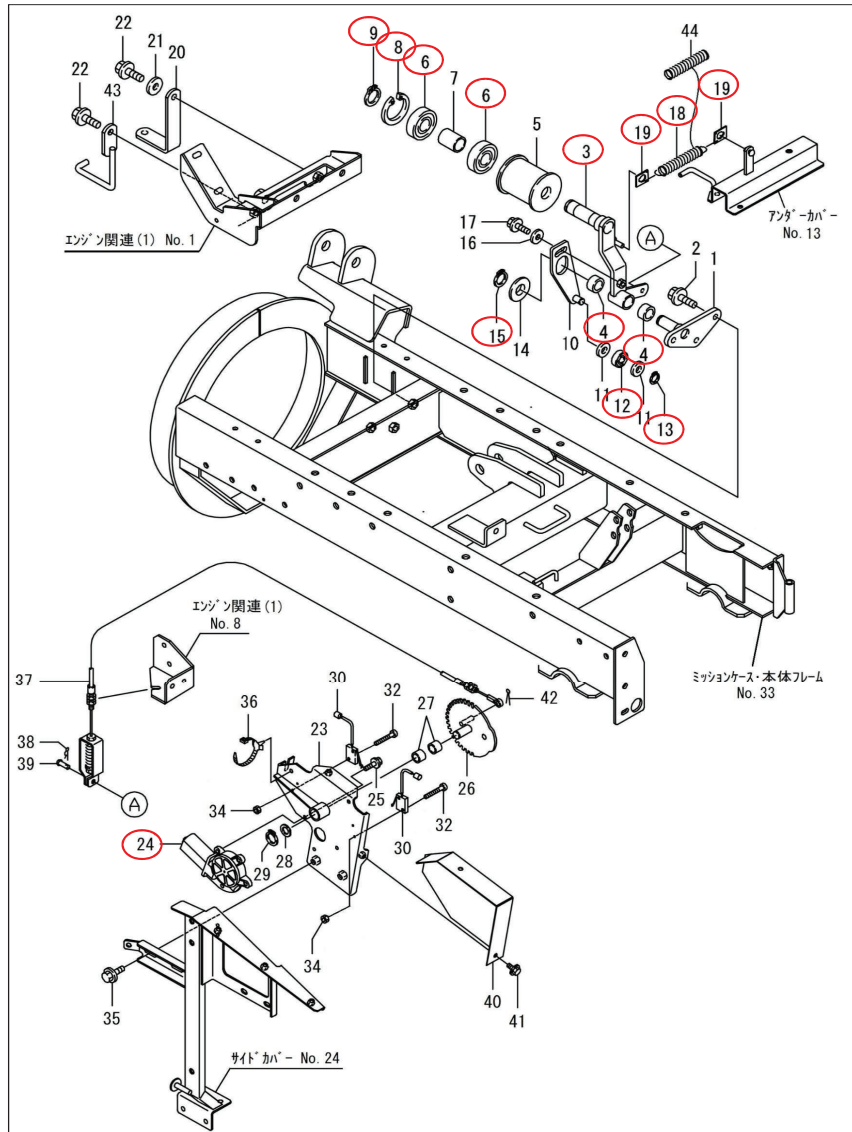
No	Parts Number	Parts Name	Quantity	Recommend Rank	Remark
1	02901-B97-700	PULLEY, ENGINE	1		
2	93000-1203017	BOLT, SPECIAL 12×30	4		
3	02902-B54-700	PULLEY, ENGINE	1		
4	93000-1003017	BOLT, SPECIAL 10×30	3		
5	97112-022241	KEY, 5×5×22RR	1		
6	63902-B54-700	PULLEY, INPUT HST	1		
7	16901-B54-800	PLATE, FIXING	1		
8	94006-10410	NUT, FLANGE 10×1.25	1		
9	93100-0601617	BOLT, FLANGE 6×16	3		
10	61100-B97-801	BASE COMP, COUNTER	1		
11	91632-205450	FLANGE UNIT, RHOMBIC	2	C	
12	64901-B97-700	SHAFT, COUNTER	1		
13	91251-2030231	WASHER, RD 20×30×2.3	2		
14	63902-B97-700	PULLY, 141B-20	1		
15	97113-020041	KEY, 6×6×20S	1		
16	91251-0835451	WASHER, RD 8×35×4.5	1		
17	91219-0825010	BOLT, SPECIAL 8×25	1		
18	64902-B54-002	COLLER, COUNTER SHAFT	1		
19	67100-B54-001	CLUTCH COMP, ELECTROMAGNETIC	1	D	
20	94101-08015	WASHER, PLAIN 8	2		
21	92201-0805517	BOLT, 8×55	1		
22	94002-08410	NUT, FLANGE 8	1		
23	91544-0730030	TUBE, GASOLINE 7.3×30	1		
24	97114-020041	KEY, 7×7×20S	1		
25	91251-0840451	WASHER, RD 8×40×4.5	1		



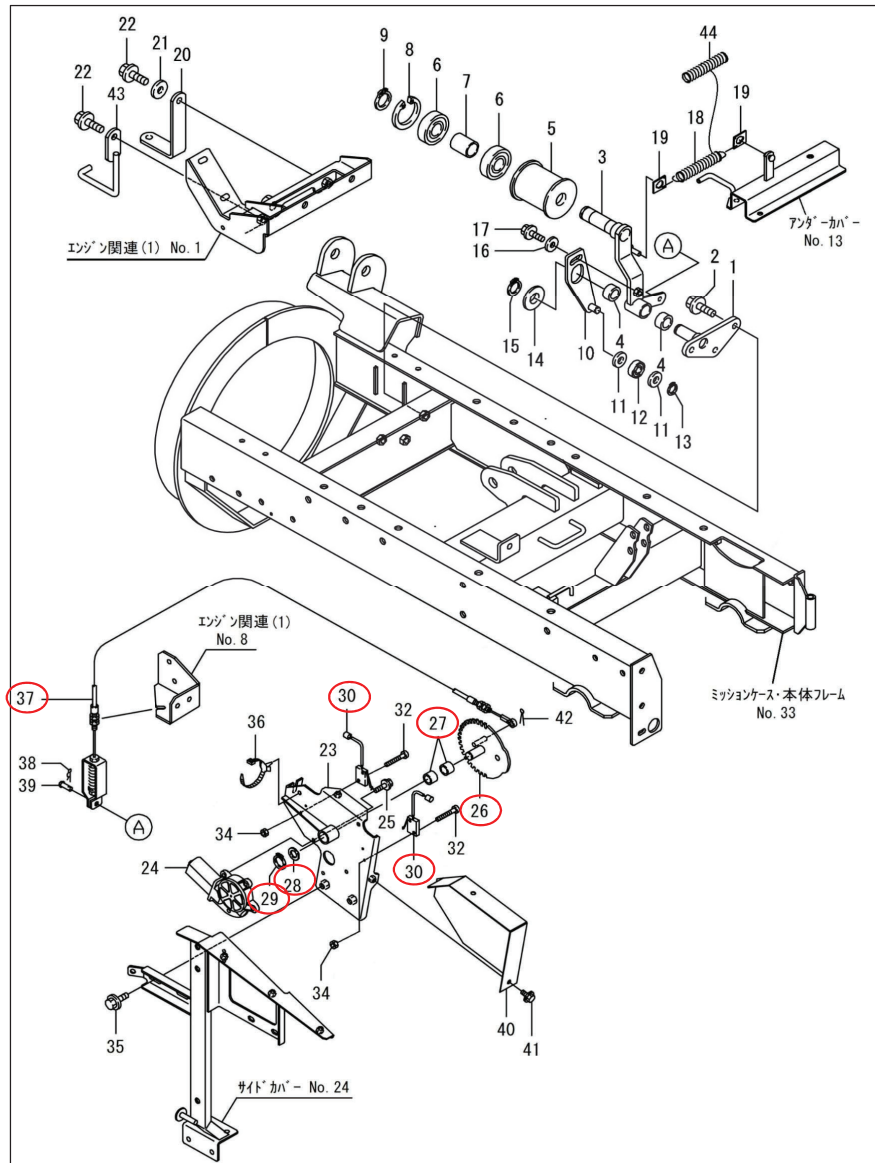
No	Parts Number	Parts Name	Quantity	Recommend Rank	Remark
26	91219-0825010	BOLT, SPECIAL 8×25	1		
27	93000-1203017	BOLT, SPECIAL 12×30	5		
28	66200-B54-804	ARM A COMP, DRIVE TENSION	1	C	
29	91646-1512R	BUSH, BM1512FS	2	C	
30	91615-20704243	PULLY, TENSION 70TB2	1	B	
31	94510-20080	CIRCLIP, EX 20	1	B	
32	16904-M65-000	ROD, TENSION	1		
33	94003-08412	NUT, SPECIAL 8	2		
34	91601-A32-001	SPRING, TENSION	1	C	
35	91251-1525231	WASHER, RD 15×25×2.3	1	C	
36	94510-15080	CIRCLIP, EX 15	1	C	
37	66300-B54-803	ARM B COMP, DRIVE TENSION	1	D	
38	91646-1512R	BUSH, BM1512FS	2	C	
39	91615-20704243	PULLY, TENSION 70TB2	1	B	
40	94510-20080	CIRCLIP, EX 20	1	B	
41	66906-M65-030	ROD, TENSION	1		
42	94003-08412	NUT, SPECIAL 8	2		
43	91601-A32-001	SPRING, TENSION	1	C	
44	91251-1525231	WASHER, RD 15×25×2.3	1	C	
45	94510-15080	CIRCLIP, EX 15	1	C	
46	61901-B54-800	SUPPORT, TENSION BASE	1		
47	93300-1002517	BOLT, FLANGE 10×1.25×25	2		
48	91314-119P7	STRAP, CABLE 1-19P7	1		
49	94006-10410	NUT, FLANGE 10×1.25	2		
50	65100-B54-802	BRACKET COMP, BRAKE	1		



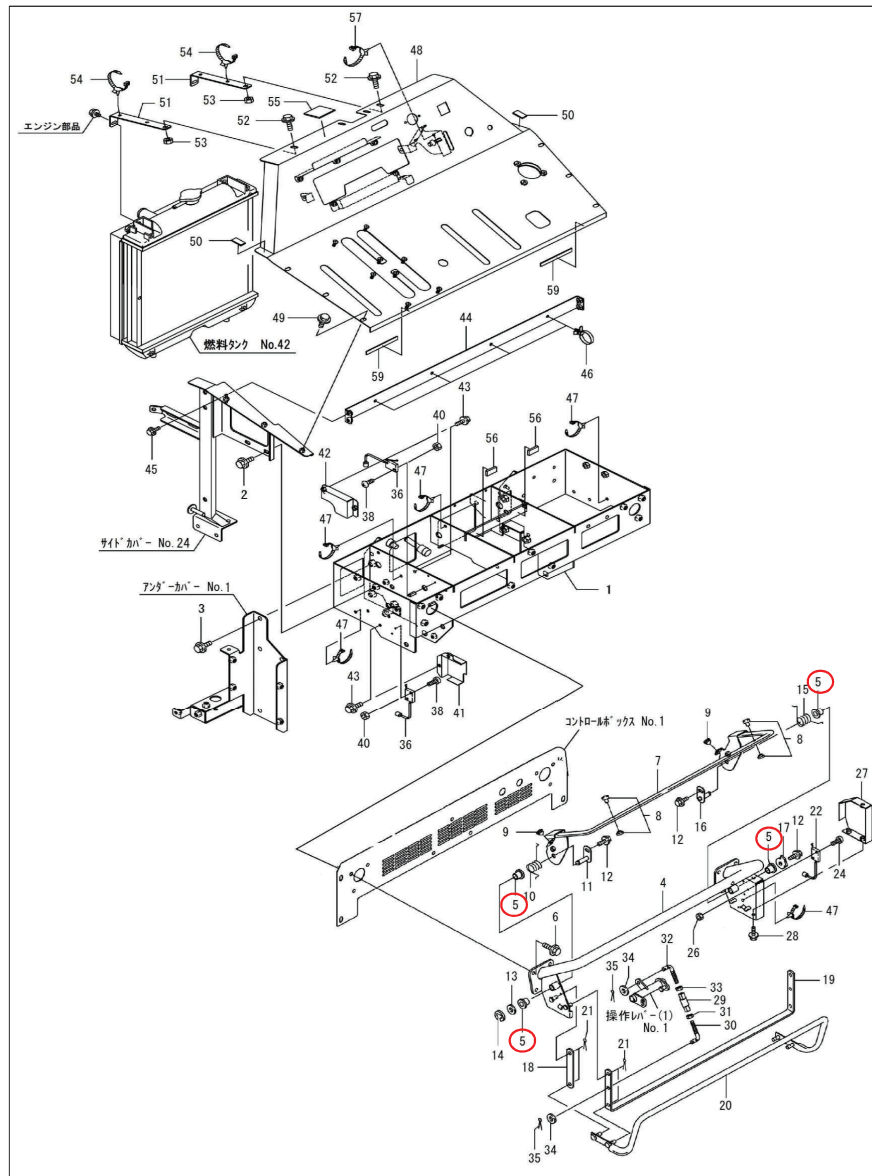
No	Parts Number	Parts Name	Quantity	Recommend Rank	Remark
51	91644-151580	BUSH, 80F-1515	2	B	
52	94101-10015	WASHER, PLAIN 10	4		
53	93300-1002017	BOLT, FLANGE 10 × 1.25 × 20	4		
54	65100-B56-802	BRAKE COMP, BLOWER	1		
55	91644-151580	BUSH, 80F-1515	2	B	
56	65901-B54-000	PIN, BRAKE 15 × 195	1	D	
57	94101-16010	WASHER, PLAIN 16	2		
58	94210-30300	PIN, SPLIT 3 × 30	2		
59	66901-B54-030	SPRING, BRAKE	1	C	
60	91580-1501501	TUBE, SPIRAL 15 × 150	1		
61	91652-0809052	BELT W800, SC52	3	A	
62	91652-0808037	BELT W800, SB37	1	A	
63	91652-0808035	BELT W800, SB35	1	A	
64	65600-B54-800	STOPPER COMP, BLOWER BELT	1		
65	94101-10015	WASHER, PLAIN 10	2		
66	93300-1002017	BOLT, FLANGE 10 × 1.25 × 20	3		
67	94101-12010	WASHER, PLAIN 12	5		
68	91233-084120	NUT, SPECIAL 8	1		
69	93100-0802517	BOLT, FLANGE 8 × 25	4		
70	94002-08410	NUT, FLANGE 8	4		



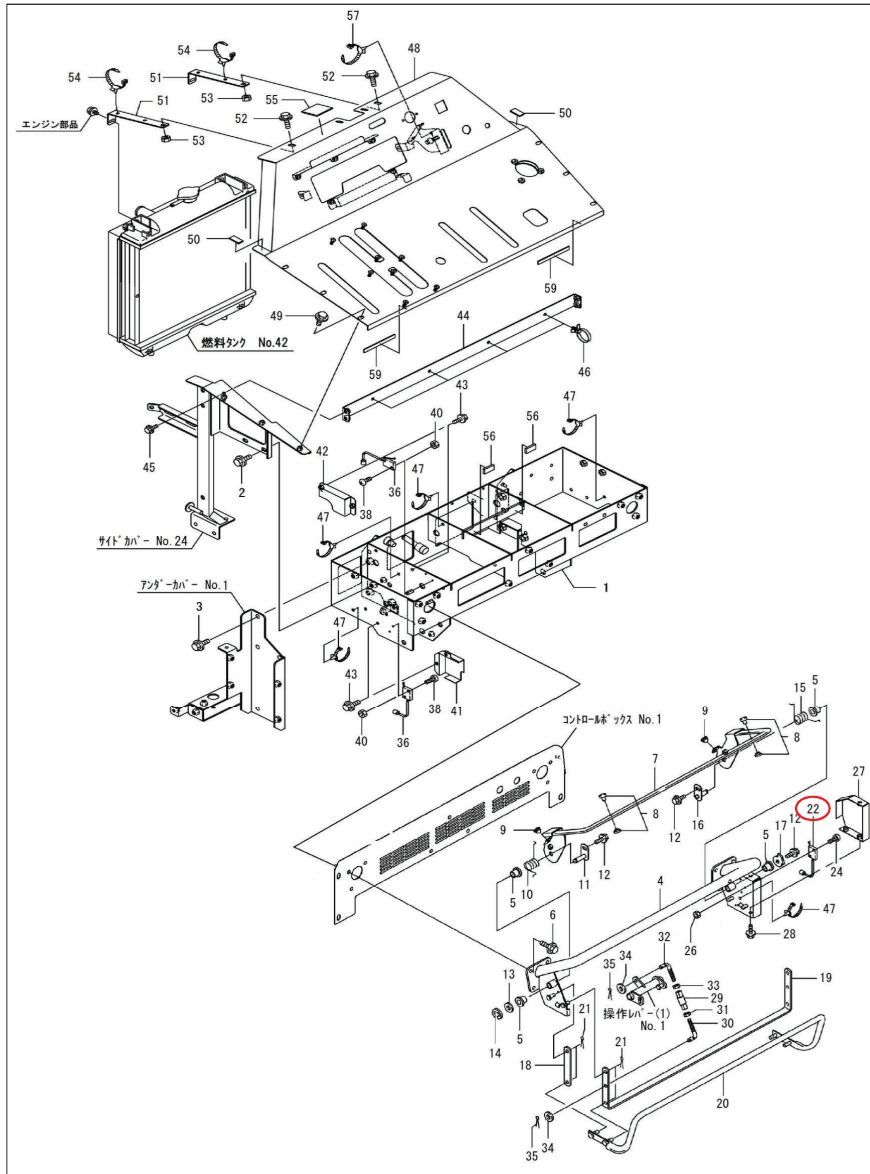
No	Parts Number	Parts Name	Quantity	Recommend Rank	Remark
1	66400-B18-802	SHAFT COMP, BLOWER TENSION	1		
2	93300-1002517	BOLT, FLANGE 10×1.25×25	3		
3	66100-B54-803	ARM COMP, AUGER CLUTCH	1	D	
4	91646-2015R	BUSH, BM2015FS	2	B	
5	91614-6272823	PULLEY, TENSION 72-3	1		
6	96105-06305	BEARING, 6305UU	2	B	
7	66901-B18-000	COLLER, 25×40	1		
8	94520-62080	CIRCLIP, IN 62	1	B	
9	94510-25080	CIRCLIP, EX 25	1	B	
10	65300-B56-801	CAM COMP, BRAKE	1		
11	94101-12010	WASHER, PLAIN 12	2		
12	96105-06201	BEARING, 6201UU	1	B	
13	94510-12080	CIRCLIP, EX 12	1	B	
14	94101-20010	WASHER, PLAIN 20	1		
15	94510-20080	CIRCLIP, EX 20	1	B	
16	94101-08015	WASHER, PLAIN 8	1		
17	93100-0802517	BOLT, FLANGE 8×25	1		
18	66902-B53-000	SPRING, TENSION RETURN	1	C	
19	66903-B53-800	HOOK, SPRING	2	C	
20	65901-B72-800	STOPPER, BLOWER BELT	1		
21	94101-10015	WASHER, PLAIN 10	1		
22	93300-1002017	BOLT, FLANGE 10×1.25×20	2		
23	66500-B85-802	BASE COMP, ELECTRIC CLUTCH	1		
24	81100-B53-002	MOTOR, JC578VA	1	B	
25	93100-0601617	BOLT, FLANGE 6×16	3		



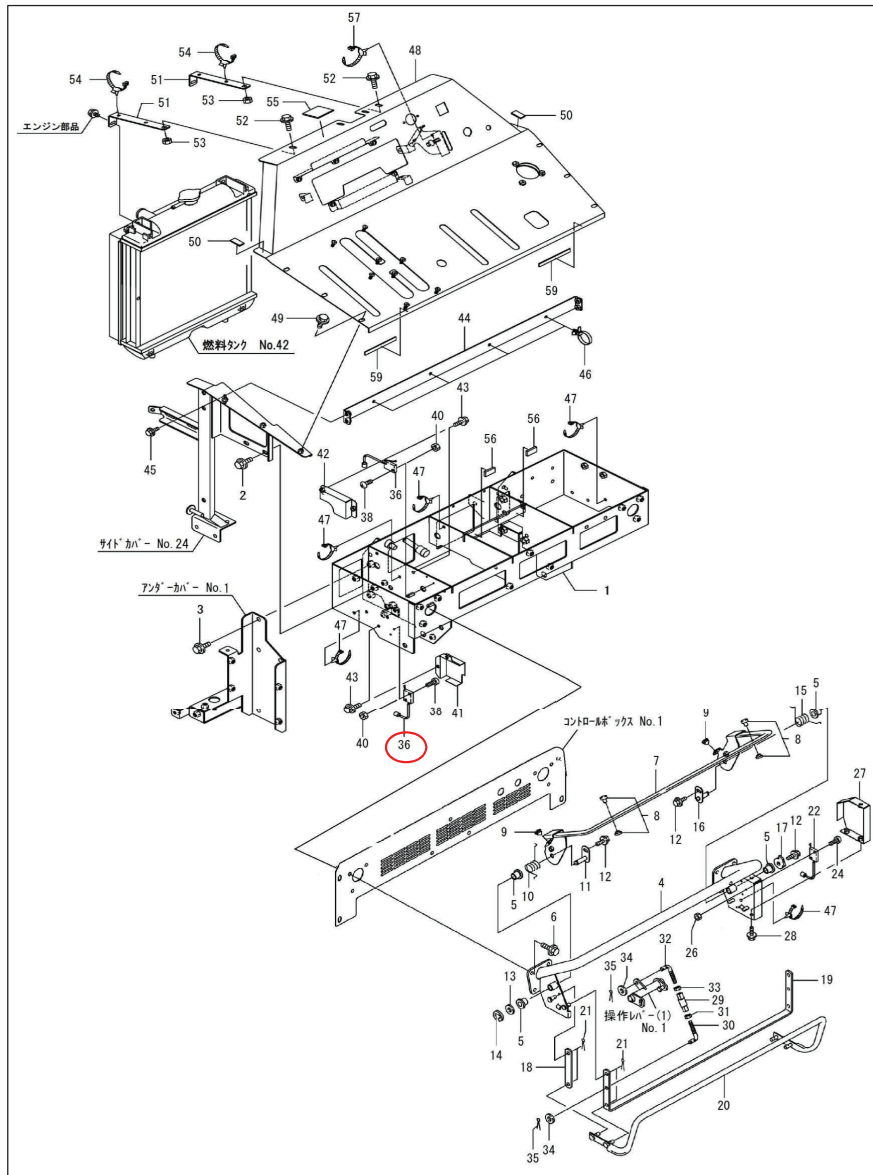
No	Parts Number	Parts Name	Quantity	Recommend Rank	Remark
26	66600-B53-801	GEAR COMP, CLUTCH	1	C	
27	91647-1515	BUSH, 77B-1515	2	C	
28	91251-1525231	WASHER, RD 15×25×2.3	1	C	
29	94510-15080	CIRCLIP, EX 15	1	C	
30	83100-B10-000	SWITCH, CHUTE	2	C	
32	83901-B10-000	BOLT, SPECIAL M3×20	4		
34	94002-03410	NUT, FLANGE 3	4		
35	93100-0801617	BOLT, FLANGE 8×16	2		
36	91314-119P7	STRAP, CABLE 1-19P7	1		
37	77100-B56-001	WIRE, AUGER CLUTCH	1	B	
38	94251-080111	PIN A, SNAP 8×1.8	1		
39	94330-0802210	PIN, 8×22	1		
40	68901-B85-800	COVER, ELECTRIC CLUTCH	1		
41	93100-0601217	BOLT, FLANGE 6×12	2		
42	94210-25150	PIN, SPLIT 2.5×15	1		
43	65800-B54-800	STOPPER L COMP, BELT	1		
44	91580-1501501	TUBE, SPIRAL 15×150	1		



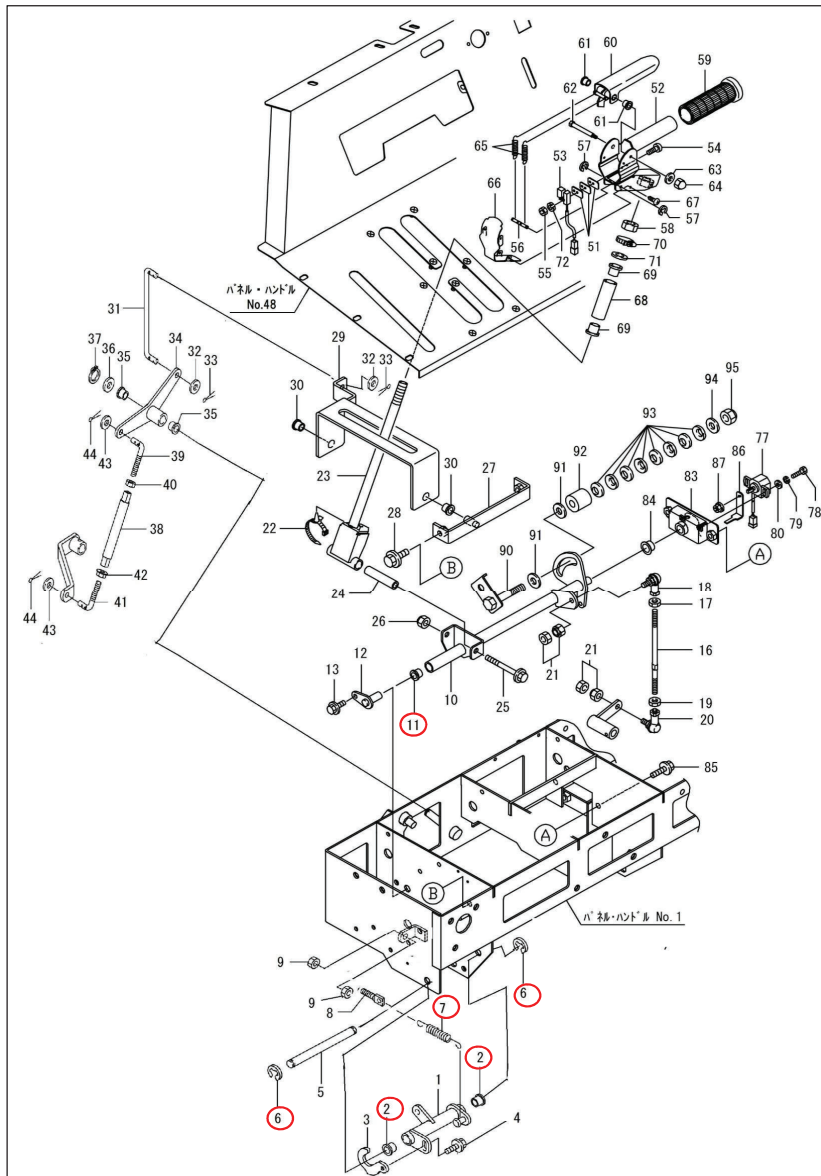
No	Parts Number	Parts Name	Quantity	Recommend Rank	Remark
1	72200-B97-802	BOX COMP, CONTROL	1		
2	93100-0801617	BOLT, FLANGE 8 × 16	4		
3	93300-1002017	BOLT, FLANGE 10 × 1.25 × 20	6		
4	72400-B56-801	HANDLE COMP	1		
5	91644-101080	BUSH, 80F-1010	4	C	
6	93100-0802017	BOLT, FLANGE 8 × 20	6		
7	73100-B56-002	LEVER COMP, CLUTCH	1		
8	71902-B28-000	RIVET	2		
9	91701-A41-000	GROMMET, φ 6	2		
10	72901-B56-001	SPRING L, RETURN	1		
11	74600-B56-000	PIN B COMP, LEVER	1		
12	93100-0601217	BOLT, FLANGE 6 × 12	3		
13	94101-10010	WASHER, PLAIN 10	1		
14	94511-08010	E RING, 8	1		
15	72902-B56-001	SPRING R, RETURN	1		
16	74500-B56-001	PIN A COMP, LEVER	1		
17	74903-B56-800	CAM B, SWITCH	1		
18	73909-B43-800	LINK 100, LEVER	2		
19	73901-B56-800	LEVER B, EMERGENCY STOP	1		
20	73600-B56-800	LEVER A COMP, EMERGENCY	1		
21	94210-25150	PIN, SPLIT 2.5 × 15	8		



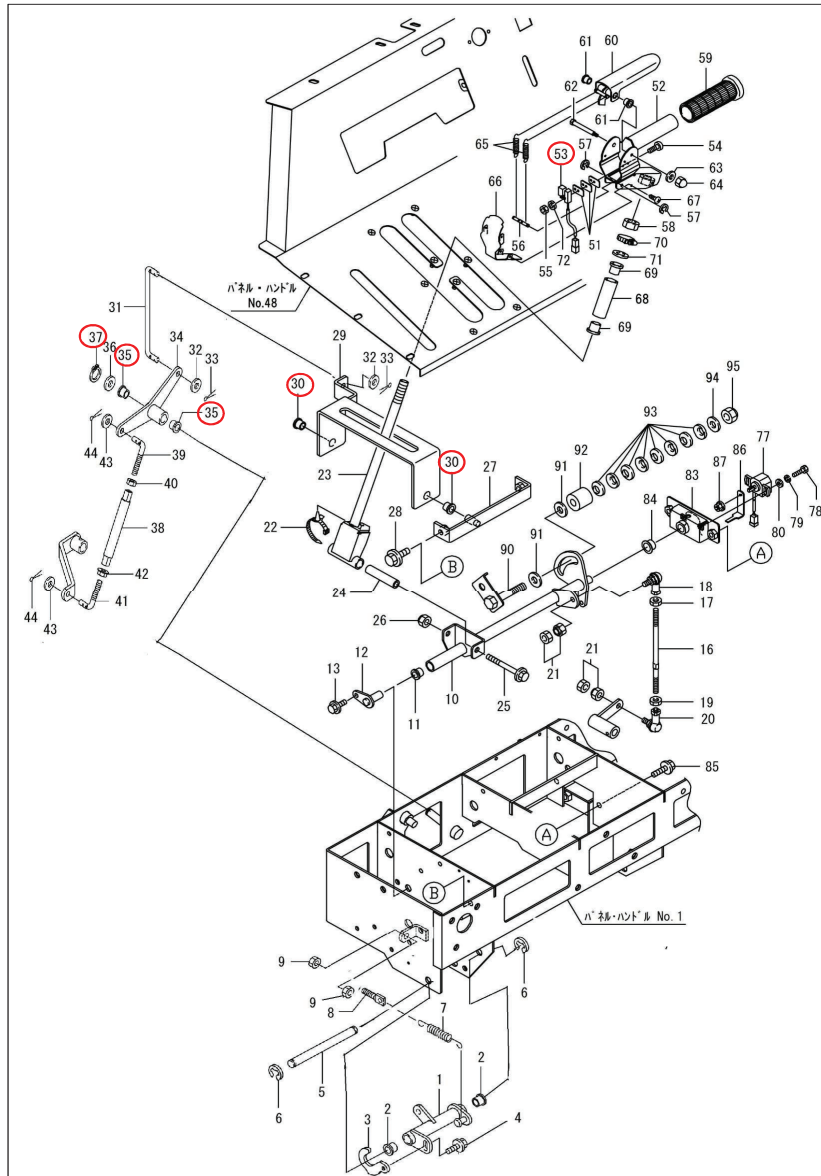
No	Parts Number	Parts Name	Quantity	Recommend Rank	Remark
22	83100-B10-000	SWITCH, CHUTE	1	C	
23	-	-			
24	83901-B10-000	BOLT, SPECIAL M3×20	2		
25	-	-			
26	94002-03410	NUT, FLANGE 3	2		
27	78400-B56-801	COVER D COMP, SWITCH	1		
28	93100-0601217	BOLT, FLANGE 6×12	3		
29	76902-B50-800	LINK, 50	1		
30	74904-B56-000	ROD L, ADJUST	1		
31	91231-0841210	NUT, SPECIAL 8	1		
32	74905-B56-000	ROD R, ADJUST	1		
33	94002-08410	NUT, FLANGE 8	1		
34	94101-08010	WASHER, PLAIN 8	2		
35	94210-25150	PIN, SPLIT 2.5×15	2		
36	-	-			
37	-	-			



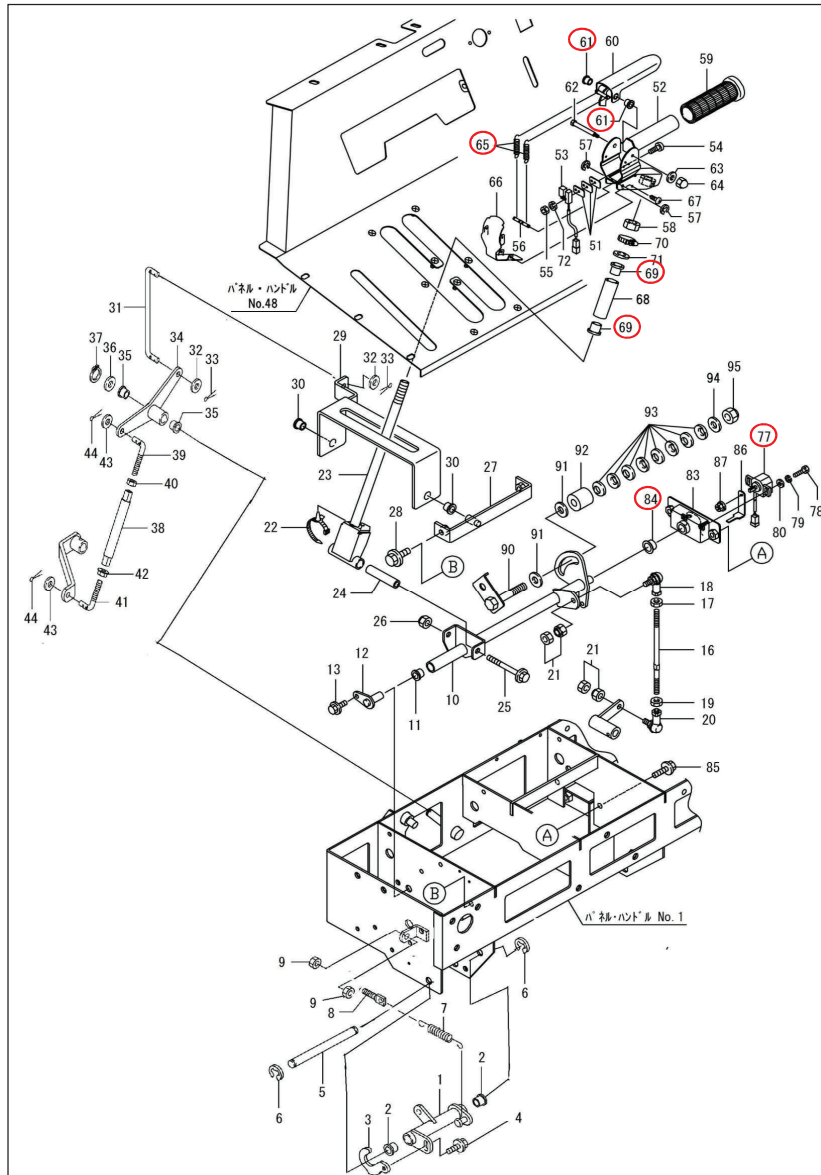
No	Parts Number	Parts Name	Quantity	Recommend Rank	Remark
36	83100-B10-000	SWITCH, CHUTE	2	C	
38	83901-B10-000	BOLT, SPECIAL M3×20	4		
40	94002-03410	NUT, FLANGE 3	4		
41	78100-B54-800	COVER A COMP, SWITCH	1		
42	78300-B56-800	COVER C COMP, SWITCH	1		
43	93100-0601217	BOLT, FLANGE 6×12	4		
44	82200-B97-800	STAY COMP, HARNESS	1		
45	93100-0601617	BOLT, FLANGE 6×16	4		
46	91314-15782	STRAP, CABLE 1-5782	4		
47	91314-119P7	STRAP, CABLE 1-19P7	6		
48	82100-B97-801	PANEL COMP, INDICATOR	1		
49	93100-0601257	BOLT, FLANGE 6×12	6		
50	72901-B43-000	RUBBER, 15×30×5	2		
51	82902-B54-800	STAY, PANEL	2		
52	93100-0801617	BOLT, FLANGE 8×16	2		
53	94002-08410	NUT, FLANGE 8	2		
54	91314-119P7	STRAP, CABLE 1-19P7	2		
55	21905-B18-000	RUBBER, 50×50×3.0	1		
56	72901-B43-000	RUBBER, 15×30×5	2		
57	91314-119P7	STRAP, CABLE 1-19P7	1		
58	-	-			
59	82904-B56-000	SPONGE, 15×100	2		



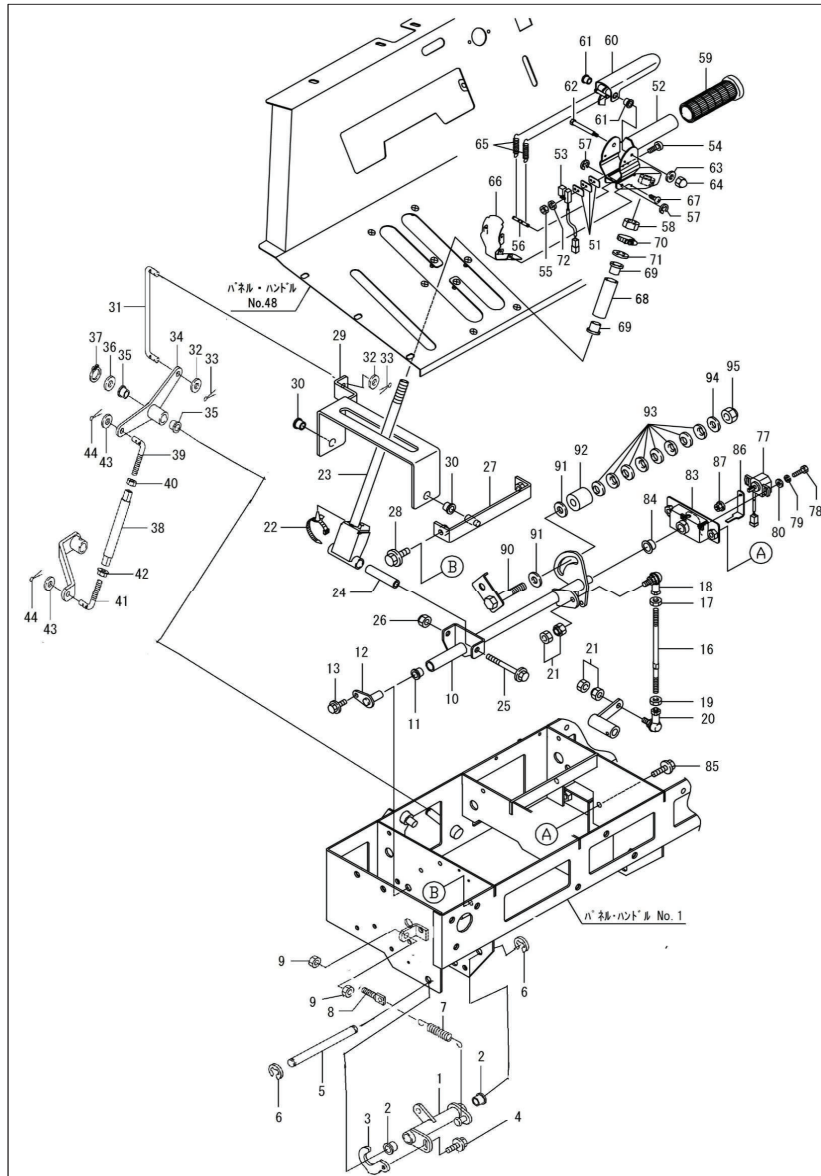
No	Parts Number	Parts Name	Quantity	Recommend Rank	Remark
1	74100-B56-801	ARM COMP, LEVER	1		
2	91644-121080	BUSH, 80F-1210	2	C	
3	74902-B56-800	CAM A, SWITCH	1		
4	93100-0601217	BOLT, FLANGE 6×12	1		
5	73902-B56-000	PIN, 12×130	1		
6	94511-09010	E RING, 9	2	C	
7	91601-B50-003	SPRING, COIL 10×118	1	C	
8	16904-M65-000	ROD, TENSION	1		
9	94003-08412	NUT, SPECIAL 8	2		
10	75100-B97-800	BOSS COMP, CHANGE LEVER	1		
11	91644-121080	BUSH, 80F-1210	1	C	
12	74500-B43-000	PIN 30 COMP, LEVER	1		
13	93100-0601217	BOLT, FLANGE 6×12	1		
16	75901-B50-000	ROD A, CHANGE	1		
17	94002-08410	NUT, FLANGE 8	1		
18	91634-080211	JOINT, BALL BL8D	1		
19	91231-0841210	NUT, SPECIAL 8	1		
20	91634-080221	JOINT, BALL BL8DL	1		
21	91235-08100	NUT, HARD LOCK 8	2		
22	91314-119P7	STRAP, CABLE 1-19P7	1		



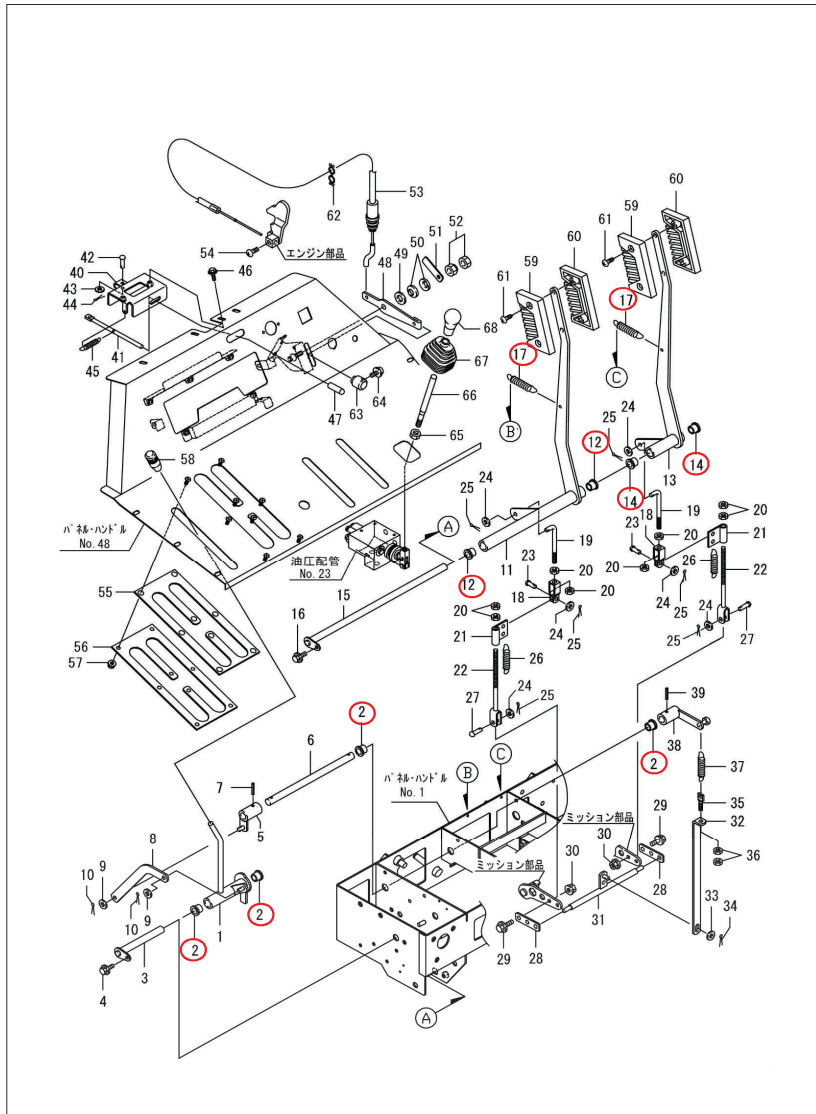
No	Parts Number	Parts Name	Quantity	Recommend Rank	Remark
23	75700-B56-806	LEVER COMP, CHANGE	1		
24	75903-M72-002	COLLER, 9×63.5	1		
25	93100-0808017	BOLT, FLANGE 8×80	1		
26	91233-084120	NUT, SPECIAL 8	1		
27	72300-B56-800	BRACKET COMP, CHANGE	1		
28	93100-0801617	BOLT, FLANGE 8×16	2		
29	75600-B56-801	ARM COMP, CHANGE LEVER	1		
30	91644-121080	BUSH, 80F-1210	2	C	
31	75904-B56-000	ROD B, SUB CHANGE	1		
32	94101-08010	WASHER, PLAIN 8	2		
33	94210-25150	PIN, SPLIT 2.5×15	2		
34	75400-B72-801	CAM COMP, SUB CHANGE	1		
35	91644-121080	BUSH, 80F-1210	2	C	
36	94101-12010	WASHER, PLAIN 12	1		
37	94510-12080	CIRCLIP, EX 12	1	B	
38	76904-B54-801	LINK, 125	1		
39	75903-B16-001	ROD B, SUB CHANGE	1		
40	91231-0841210	NUT, SPECIAL 8	1		
41	75907-B08-001	ROD, 120	1		
42	94002-08410	NUT, FLANGE 8	1		
43	94101-08010	WASHER, PLAIN 8	2		
44	94210-25150	PIN, SPLIT 2.5×15	2		
51	73908-B56-000	BASE, SWITCH 1.2	3		
52	73700-B56-830	GRIP COMP, HST LEVER	1		
53	83300-B56-030	SWITCH, REED	1	B	



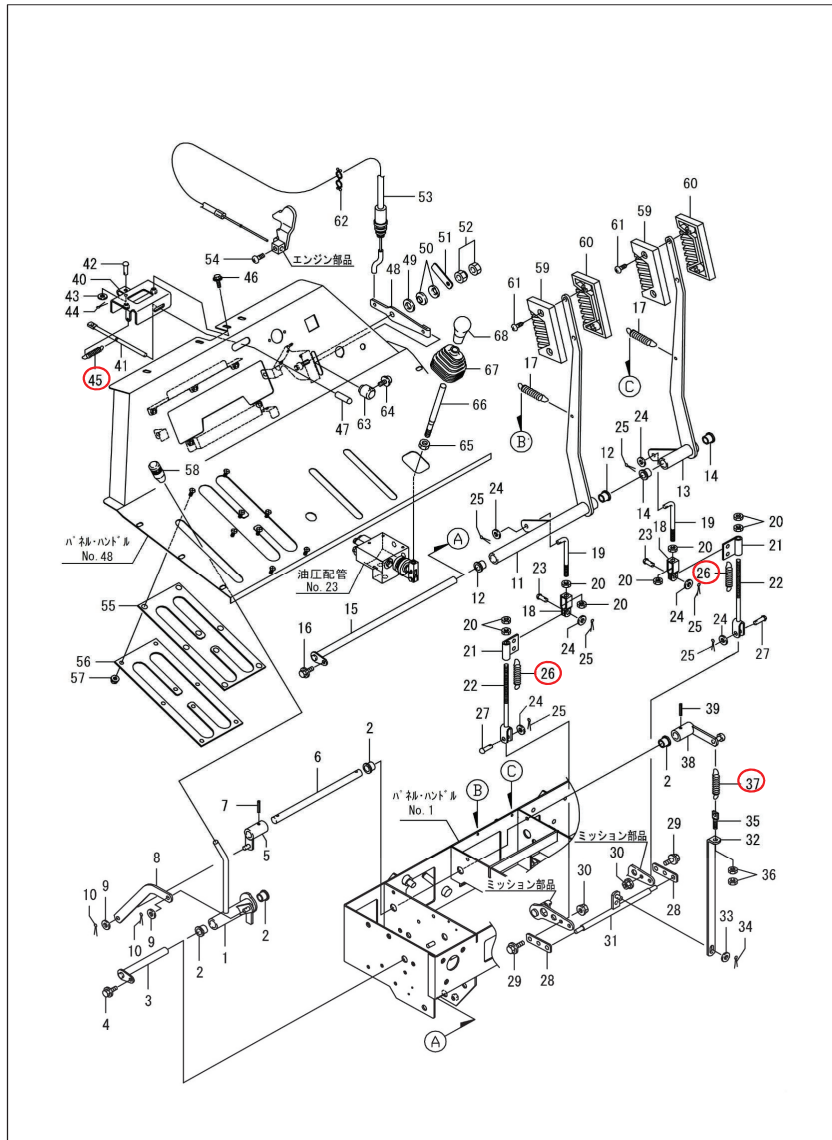
No	Parts Number	Parts Name	Quantity	Recommend Rank	Remark
54	93500-0301614	SCREW, PAN 3 × 16	2		
55	94001-03412	NUT, 3	2		
56	73904-B56-000	HOLDER, SPRING	1		
57	94511-03010	E RING, 3	2		
58	94004-14412	NUT, 14 × 1.5	1		
59	73906-B56-000	GRIP, HANDLE 34	1		
60	73500-B56-031	LEVER COMP, HST CLUTCH	1		
61	91644-060680	BUSH, 80F-0606	2	C	
62	73903-B56-000	PIN, CLUTCH	1		
63	94101-04010	WASHER, PLAIN 4	1		
64	94021-04413	NUT, CAP 4	1		
65	72903-B56-001	SPRING, CLUTCH	2	C	
66	78500-B56-804	COVER COMP, CLUTCH	1		
67	91216-3006020	BOLT, SCREW 3 × 6	4		
68	75902-B56-801	SUPPORT, PIPE	1		
69	91644-141580	BUSH, 80F-1415	2	C	
70	91323-015	CLAMP, HOSE 15	1		
71	94101-14010	WASHER, PLAIN 14	1		
72	94111-03012	WASHER, SPG 3	2		
77	83100-B89-001	SENSOR, ANGLE RPA211	1	B	
78	92000-0401614	BOLT, 4 × 16	2		
79	94111-04012	WASHER, SPG 4	2		
80	94101-04010	WASHER, PLAIN 4	2		
83	75200-B97-801	HOLDER COMP	1		
84	91644-121080	BUSH, 80F-1210	1	C	



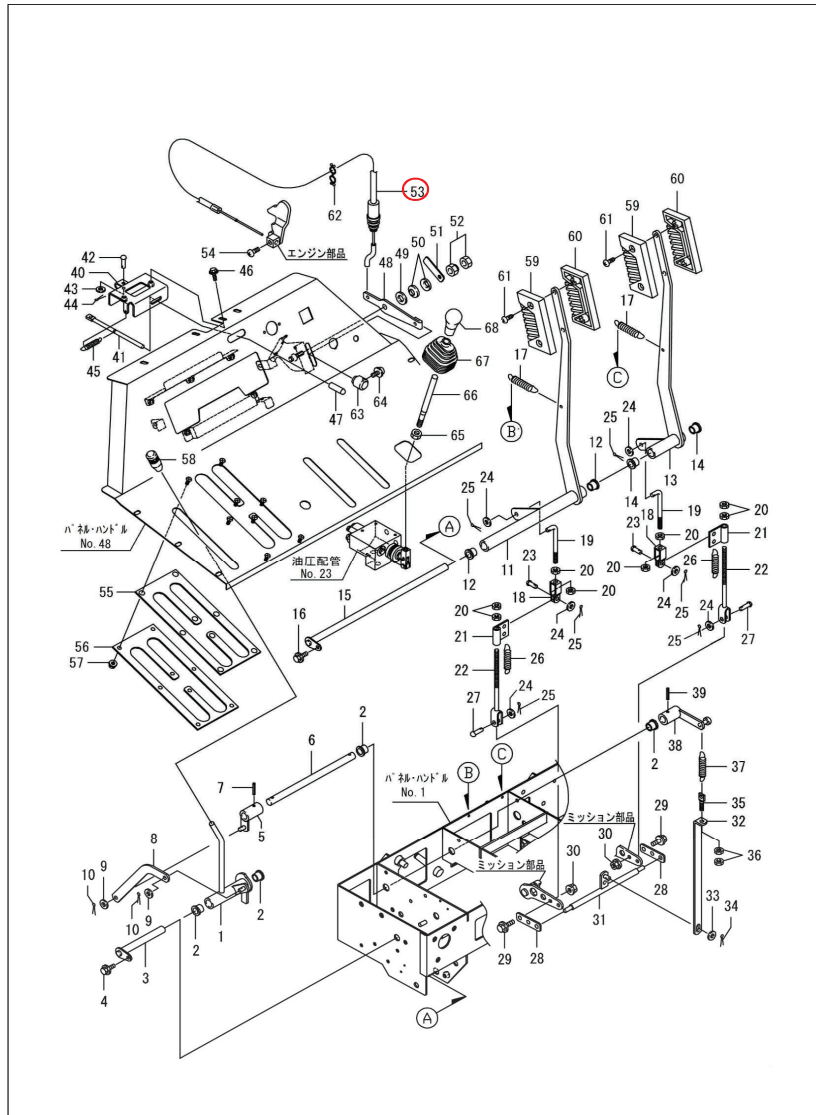
No	Parts Number	Parts Name	Quantity	Recommend Rank	Remark
85	93100-0801617	BOLT, FLANGE 8 × 16	2		
86	75903-B97-800	PLATE, SENSOR	1		
87	94002-06410	NUT, FLANGE 6	1		
90	75500-B85-800	BOLT COMP, TENSION	1		
91	91648-8012	WASHER, 80W-12	2		
92	72904-B85-000	COLLER, FRICTION	1		
93	91252-121	SPRING L, PLATE 12	8		
94	94101-12010	WASHER, PLAIN 12	1		
95	91233-124111	NUT, SPECIAL 12 × 1.25	1		
101	91981-114012	THREEBOND, 1401	5		



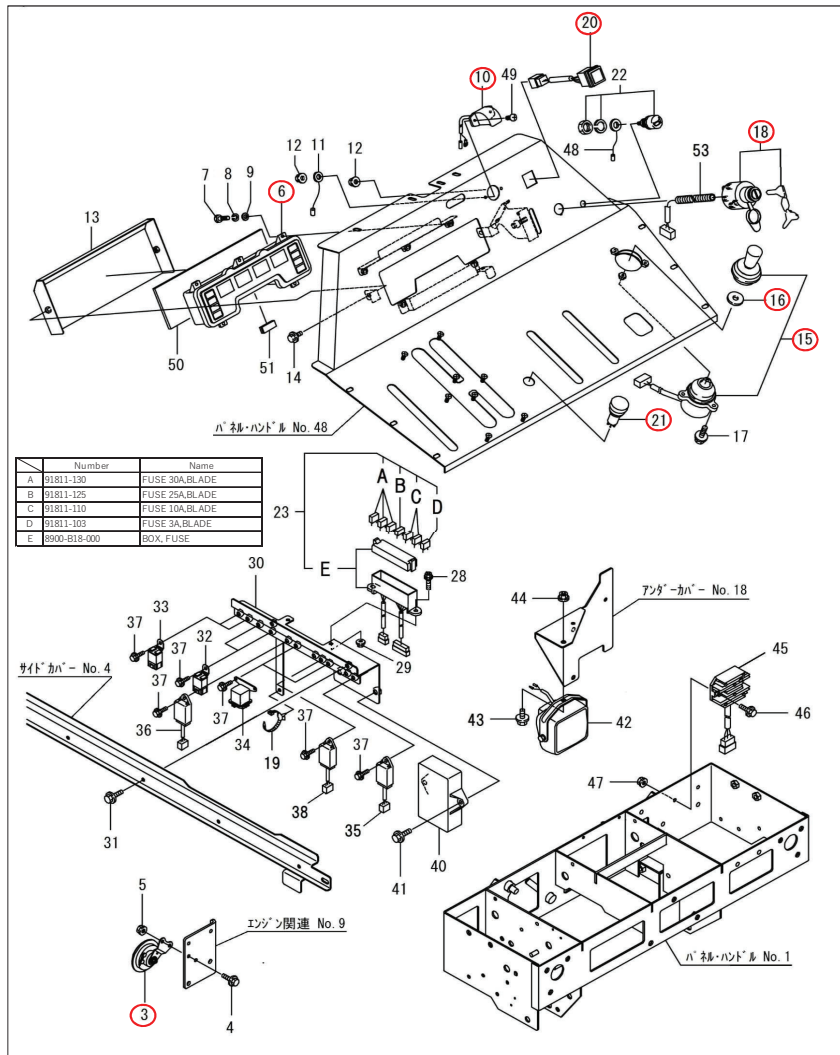
No	Parts Number	Parts Name	Quantity	Recommend Rank	Remark
1	76100-B56-800	LEVER COMP, PARKING BRAKE	1		
2	91644-151280	BUSH, 80F-1512	4	C	
3	76200-B56-000	PIN 132 COMP, LEVER	1		
4	93100-0601217	BOLT, FLANGE 6×12	1		
5	76400-B56-800	ARM B COMP, COUNTER	1		
6	76905-B56-000	SHAFT, BRAKE COUNTER	1		
7	94319-50028	PIN, SPG 5×28	1		
8	76906-B56-800	ARM, BRAKE LINK	1		
9	94101-08010	WASHER, PLAIN 8	2		
10	94210-25150	PIN, SPLIT 2.5×15	2		
11	73200-B56-801	LEVER L COMP, SIDE CLUTCH	1		
12	91644-151280	BUSH, 80F-1512	2	C	
13	73300-B72-801	LEVER R COMP, SIDE CLUTCH	1		
14	91644-151280	BUSH, 80F-1512	2	C	
15	73400-B56-000	PIN 410 COMP, LEVER	1		
16	93100-0601217	BOLT, FLANGE 6×12	1		
17	91604-A38-001	SPRING, COIL 16.5×125	2	C	
18	73903-A91-000	JOINT A	2		
19	75905-B39-031	ROD C, SUB	2		
20	94003-08412	NUT, SPECIAL 8	8		
21	73904-B54-800	HOLDER, SIDE CLUTCH	2		
22	76600-B53-000	ROD COMP, SIDE CLUTCH	2		
23	94330-0802210	PIN, 8×22	2		
24	94101-08010	WASHER, PLAIN 8	6		



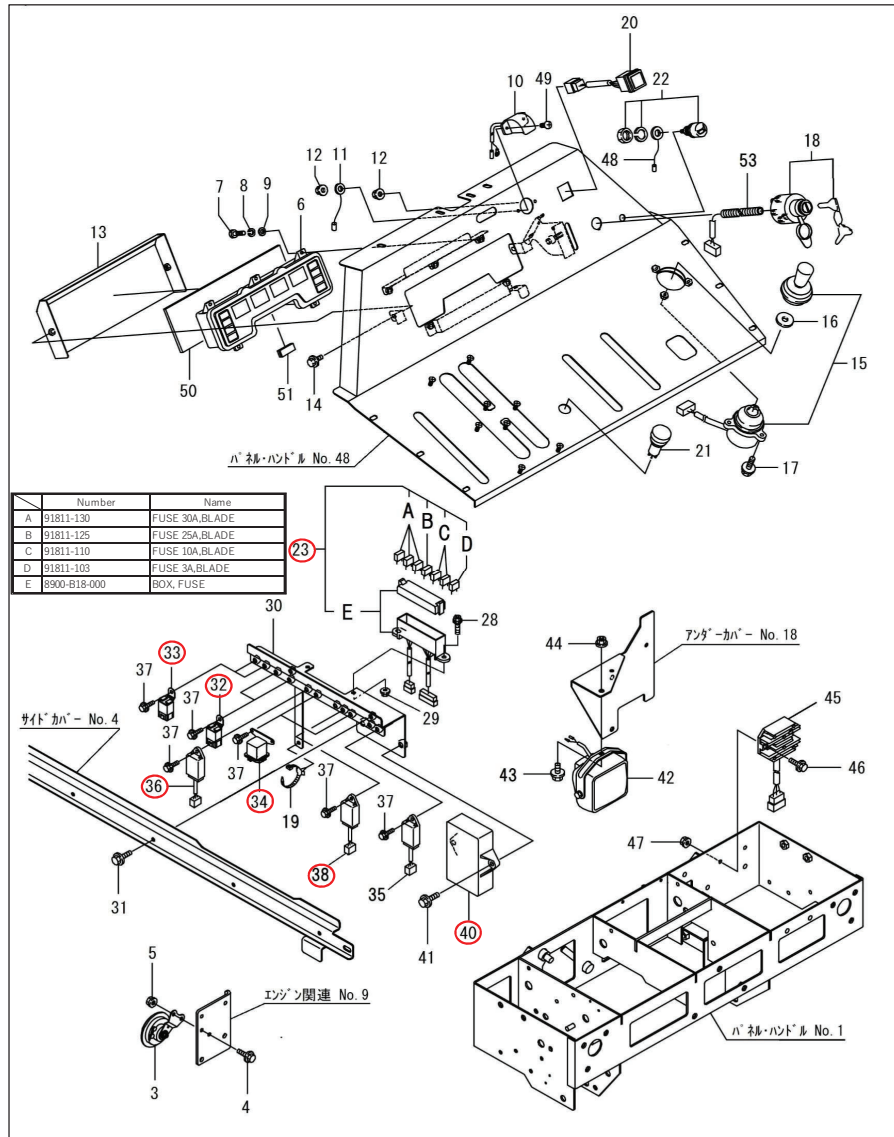
No	Parts Number	Parts Name	Quantity	Recommend Rank	Remark
25	94210-25150	PIN, SPLIT 2.5×15	6		
26	91601-B16-000	SPRING, SIDE CLUTCH	2	C	
27	94330-0802510	PIN, 8×25	2		
28	76903-B53-800	PLATE, BRAKE ARM	2		
29	93100-0802017	BOLT, FLANGE 8×20	2		
30	94002-08410	NUT, FLANGE 8	2		
31	76500-B53-800	PIN COMP, BRAKE	1		
32	76904-B56-800	BAR, BRAKE LINK	1		
33	94101-08010	WASHER, PLAIN 8	1		
34	94210-25150	PIN, SPLIT 2.5×15	1		
35	16904-M65-000	ROD, TENSION	1		
36	94003-08412	NUT, SPECIAL 8	2		
37	91601-B16-000	SPRING, SIDE CLUTCH	1	C	
38	76300-B56-800	ARM A COMP, COUNTER	1		
39	94319-50028	PIN, SPG 5×28	1		
40	75800-B56-800	HOLDER COMP, BONNET	1		
41	75901-B56-800	LEVER, BONNET	1		
42	94330-0602510	PIN, 6×25	1		
43	94101-06010	WASHER, PLAIN 6	1		
44	94210-20120	PIN, SPLIT 2×12	1		
45	91601-M27-001	SPRING, COIL 12.5×50	1	C	
46	93100-0601617	BOLT, FLANGE 6×16	2		



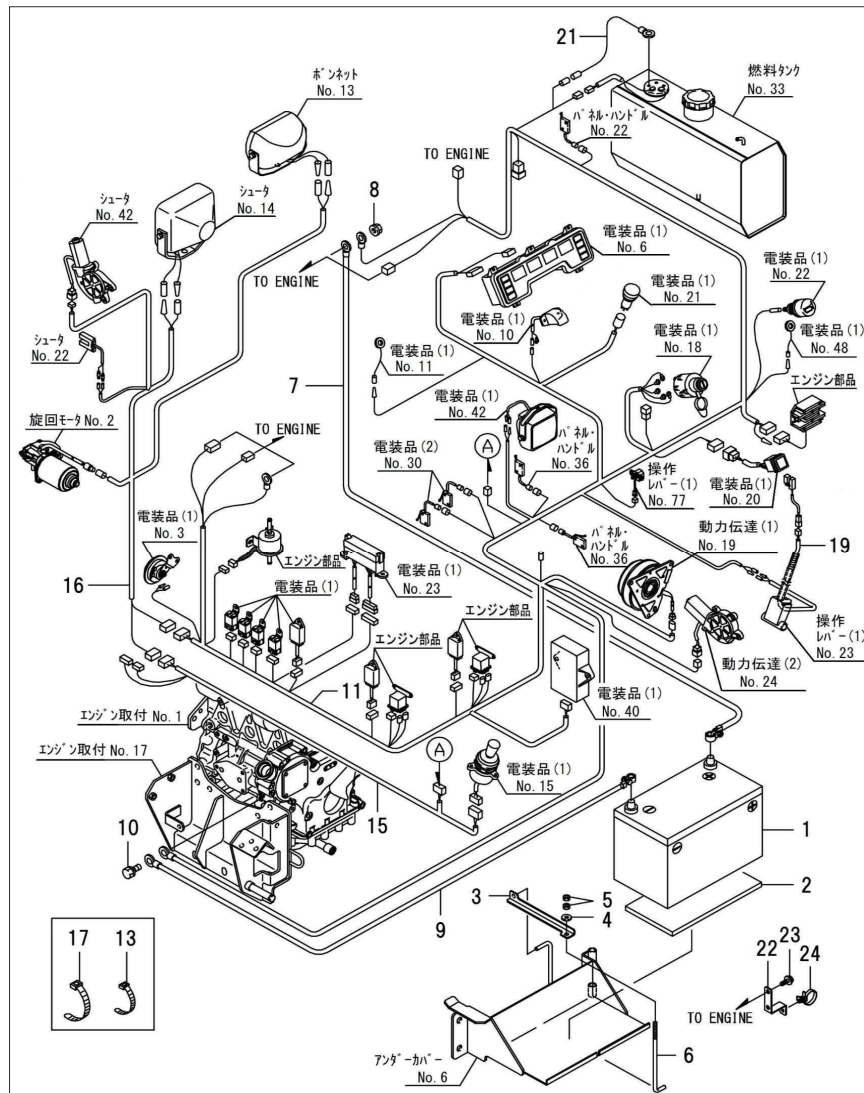
No	Parts Number	Parts Name	Quantity	Recommend Rank	Remark
47	91731-0809021	GRIP, LEVER J8	1		
48	75905-B84-801	LEVER, AXLE	1		
49	94101-08015	WASHER, PLAIN 8	1		
50	91252-082	SPRING H, PLATE 8	2		
51	75906-B84-800	PLATE, THRUST	1		
52	91235-08100	NUT, HARD LOCK 8	1		
53	77200-B97-000	WIRE, THROTTLE	1	B	
54	93500-0401014	SCREW, PAN 4 × 10	1		
55	75901-B72-000	GUIDE, CHANGE LEVER	1		
56	75902-B72-801	CLAMP, LEVER GUIDE	1		
57	94002-06410	NUT, FLANGE 6	8		
58	76902-A91-000	GRIP, PARKING LEVER	1		
59	76903-B18-000	GRIP A, CLUTCH LEVER	2		
60	76904-B18-000	GRIP B, CLUTCH LEVER	2		
61	76906-A91-000	BOLT, SCREW 4 × 20	4		
62	91318-20058	PURSE LOCK 2-0058	1		
63	75907-B18-000	KNOB, THROTTLE LEVER	1		
64	75908-B18-001	SCREW, SPECIAL 4 × 8	1		
65	94003-10412	NUT, SPECIAL 10	1		
66	75901-B53-800	LEVER, HYDRAULIC OPERATION	1		
67	76909-A91-000	BOOT, LEVER	1		
68	91731-1201011	GRIP, LEVER A12	1		



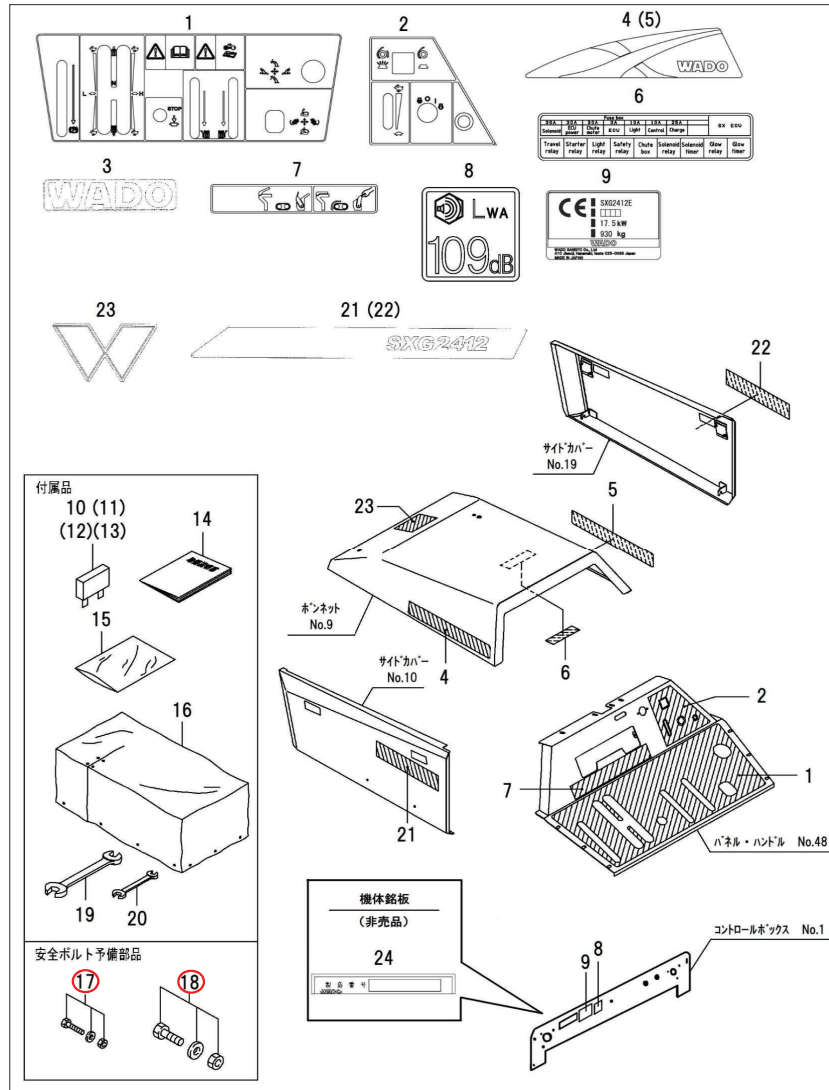
No	Parts Number	Parts Name	Quantity	Recommend Rank	Remark
1	-	-			
2	-	-			
3	83400-B72-000	BUZZER	1	C	
4	93100-0601617	BOLT, FLANGE 6×16	2		
5	94002-06410	NUT, FLANGE 6	2		
6	83100-B84-004	METER, COMBINATION	1	D	
7	92000-0401614	BOLT, 4×16	5		
8	94111-04012	WASHER, SPG 4	5		
9	94101-04010	WASHER, PLAIN 4	5		
10	83500-B72-000	LIGHT, LED	1	C	
11	87300-B18-000	CORD, EARTH	1		
12	94002-04410	NUT, FLANGE 4	2		
13	88100-B84-800	COVER COMP, METER	1		
14	93100-0601017	BOLT, FLANGE 6×10	2		
15	83200-B18-000	SWITCH, CONTROL	1	B	
16	83902-B18-000	WASHER, RD 11×32×4.5	1	B	
17	93100-0602017	BOLT, FLANGE 6×20	3		
18	83100-A58-000	SWITCH, KEY	1	B	
19	91314-11W02	STRAP, CABLE 1-1W02	1		
20	83200-B54-000	SWITCH, PUSH LIGHT	1	B	
21	83100-B97-000	BUTTON, EMERGENCY MW1B-M	1	B	
22	83300-B72-001	SWITCH, HORN	1		



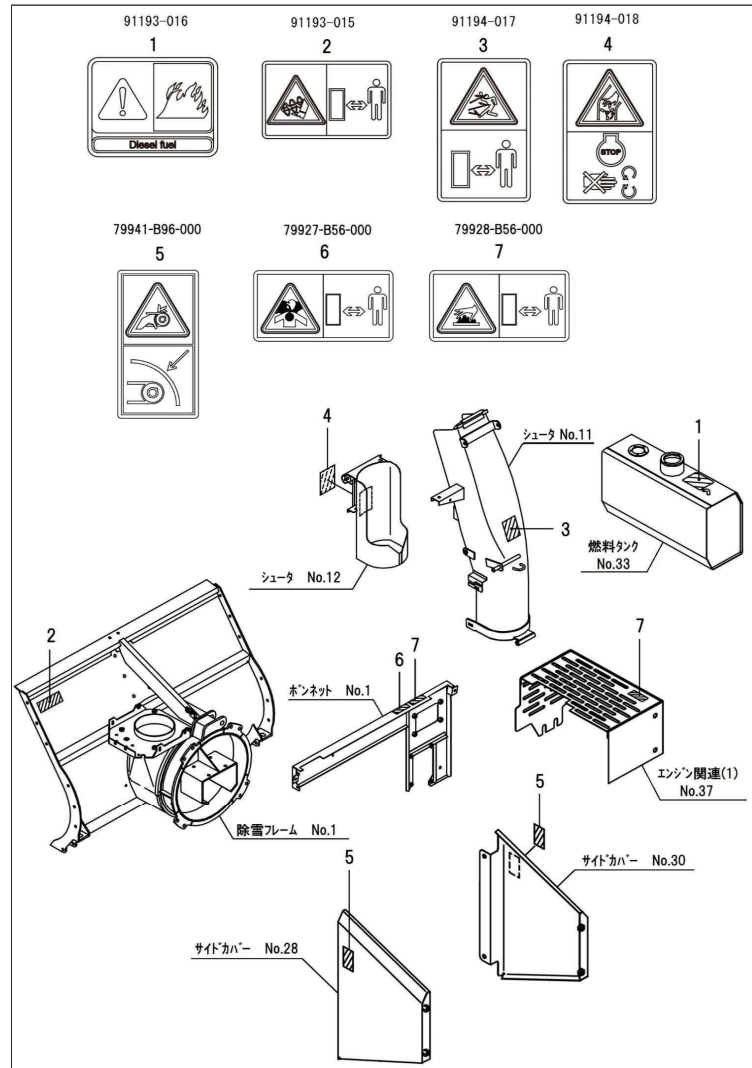
No	Parts Number	Parts Name	Quantity	Recommend Rank	Remark
23	80001-B85-000	BOX ASSY, FUSE	1	B	
28	93100-0601617	BOLT, FLANGE 6 × 16	2		
29	94002-06410	NUT, FLANGE 6	2		
30	82300-B97-802	BRACKET COMP, RELAY	1		
31	93100-0601217	BOLT, FLANGE 6 × 12	2		
32	84100-B32-001	RELAY, C	2	B	
33	84500-B18-001	RELAY, NO	2	B	
34	119650-77911	RELAY COMP, GLOW	2	B	
35	128300-77920	RELAY, TIMER (GLOW)	1	B	
36	84200-B18-000	RELAY, CHUTE	1	C	
37	93100-0601217	BOLT, FLANGE 6 × 12	12		
38	129211-77920	RELAY, TIMER (1 SEC)	1	B	
40	84100-B97-000	ECU, SX-ENG	1	B	
41	93100-0802517	BOLT, FLANGE 8 × 25	2		
42	83100-G18-000	LAMP, 18W	1		
43	93100-0801617	BOLT, FLANGE 8 × 16	1		
44	94002-08410	NUT, FLANGE 8	1		
45	119653-77711	CURRENT LIMITER 20A	1		
46	93100-0602517	BOLT, FLANGE 6 × 25	2		
47	94002-06410	NUT, FLANGE 6	2		
48	85500-B72-000	EARTH, PANEL	1		
49	93500-0401614	SCREW, PAN 4 × 16	2		
50	88901-B84-000	SPONGE, 90 × 298	1		
51	88902-B84-000	SHUTTER, COUPLER	1		
53	91382-1001501	CORRUGATE 10 × 150	1		



No	Parts Number	Parts Name	Quantity	Recommend Rank	Remark
1	81100-B97-000	BATTERY, D31R	1		
2	89903-A26-000	RUBBER, ANTIVIBRATION	1		
3	86901-B56-801	CLAMP, BATTERY	1		
4	94101-06015	WASHER, PLAIN 6	1		
5	94001-06412	NUT, 6	2		
6	86901-A20-001	BOLT, BATTERY	1		
7	87100-B56-000	CORD (+), BATTERY	1		
8	94002-08410	NUT, FLANGE 8	1		
9	87200-B56-001	CORD (-), BATTERY	1		
10	93000-1202017	BOLT, SPECIAL 12 x 20	1		
11	85100-B97-001	HARNESS, MAIN	1		
13	91311-140	BAND, REPEAT RF140	5		
15	85200-B85-000	HARNESS, CHUTE	1		
16	85200-B97-000	HARNESS, CHUTE LIGHT	1		
17	91311-250	BAND, REPEAT RF250	3		
19	85600-B56-030	HARNESS, REED SWITCH	1		
21	87300-B18-000	CORD, EARTH	1		
22	86901-B97-800	STAY, HARNESS	1		
23	93100-0802017	BOLT, FLANGE 8 x 20	2		
24	91314-11765	STRAP, CABLE 1-1765	1		



No	Parts Number	Parts Name	Quantity	Recommend Rank	Remark
1	79921-B97-000	MARK, PANEL	1		
2	79922-B72-000	MARK, INDICATOR PANEL	1		
3	91830-A26-000	MARK A, WADO	1		
4	79910-B79-000	MARK L, BONNET	1		
5	79911-B79-000	MARK R, BONNET	1		
6	79922-B97-000	MARK, RELAY FUSE	1		
7	79926-B99-000	MARK, CLUTCH	1		
8	79924-B97-000	MARK, NOISE (109dB)	1		
9	79923-B97-000	MARK, CE	1		
10	91811-103	FUSE, BLADE 3A	1		
11	91811-110	FUSE, BLADE 10A	1		
12	91811-125	FUSE, BLADE 25A	1		
13	91811-130	FUSE, BLADE 30A	1		
14	91906-B97-000	OWNERS MANUAL	1		
15	91998-070811	BAG, POLY 0.07 × 80 × 110	1		
16	98100-B18-000	COVER, SEAT	1		
17	90001-B18-000	BOLT ASSY, SHEAR 6 × 25	1	A	
18	90002-B18-000	BOLT ASSY, SHEAR 10 × 30	2	A	
19	91905-B16-000	WRENCH 17, COMBINATION	1		
20	91905-B56-000	WRENCH 10, COMBINATION	2		
21	79910-B97-000	MARK L, SIDE	1		
22	79911-B97-000	MARK R, SIDE	1		
23	79912-B97-000	MARK, WADO	1		
24	91906-001	NAMEPLATE	1		



No	Parts Number	Parts Name	Quantity	Recommend Rank	Remark
1	91193-016	LABEL, FUEL WARNING	1		
2	91193-015	LABEL, AUGER DANGER	1		
3	91194-017	LABEL, DISCHARGE WARNING	1		
4	91194-018	LABEL, BLOWER WARNING	1		
5	79941-B96-000	LABEL, BELT COVER CAUTION	2		
6	79927-B56-001	LABEL, EXHAUST GAS WARNING	1		
7	79928-B56-000	LABEL, HEAT CAUTION	2		