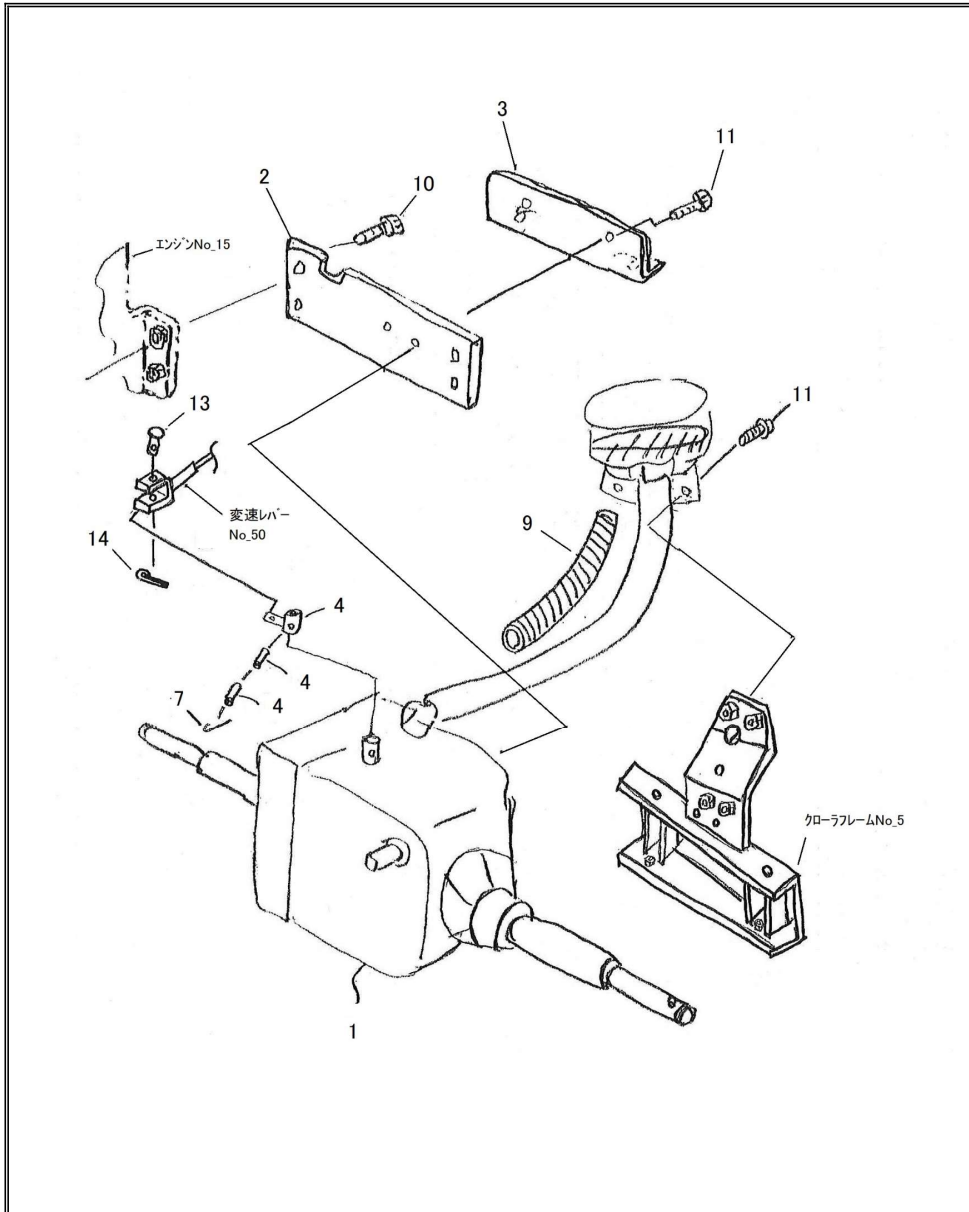


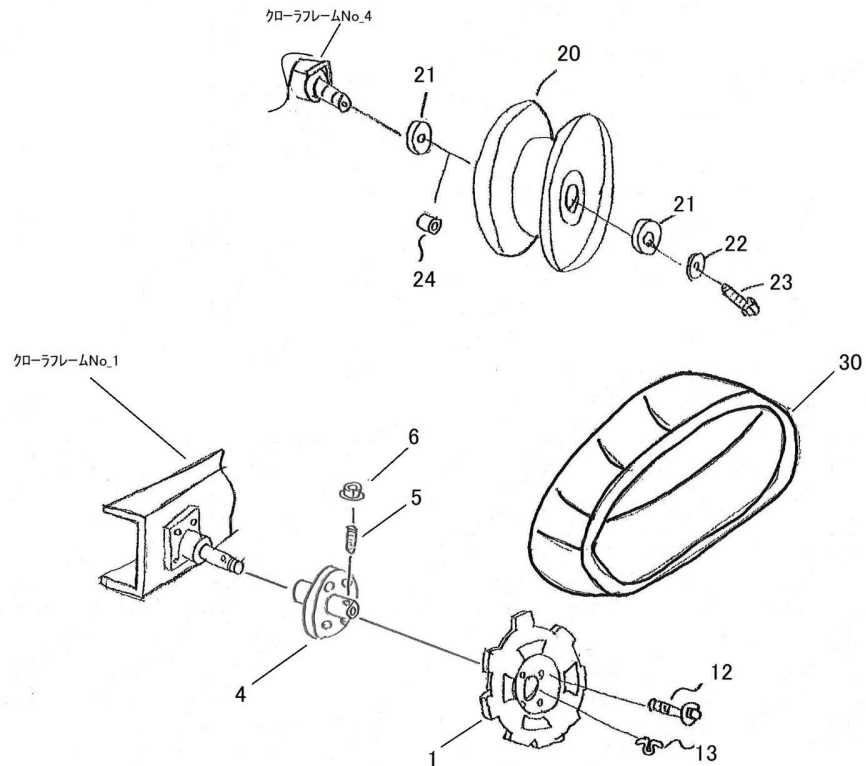
No	Parts No.	Parts name	Quantity	Remark
1	01002-B90-000	ENGINE, GX160T2 LXWD	1	
2	94002-08410	NUT, FLANGE 8	4	
3	-			
4	-			
5	-			
15	02100-B90-830	BASE COMP, ENGINE	1	
16	93100-0802017	BOLT, FLANGE 8×20	4	
17	-			
18	-			
19	-			
21	-			
30	02500-B90-831	COVER A COMP, RECOIL	1	
31	02600-B90-831	COVER B COMP, RECOIL	1	
32	93100-0601217	BOLT, FLANGE 6×12	2	
33	-			
34	03100-B90-800	COVER COMP, ENGINE	1	
35	93100-0502017	BOLT, FLANGE 5×20	1	
36	93100-0603017	BOLT, FLANGE 6×30	1	
37	-			
40	91358-3121910	BUSH, RUBBER B12-1	1	
41	91364-500750	PACKING 5, (75)	1	
42	91364-501750	PACKING 5, (175)	2	
43	-			
44	-			
45	-			



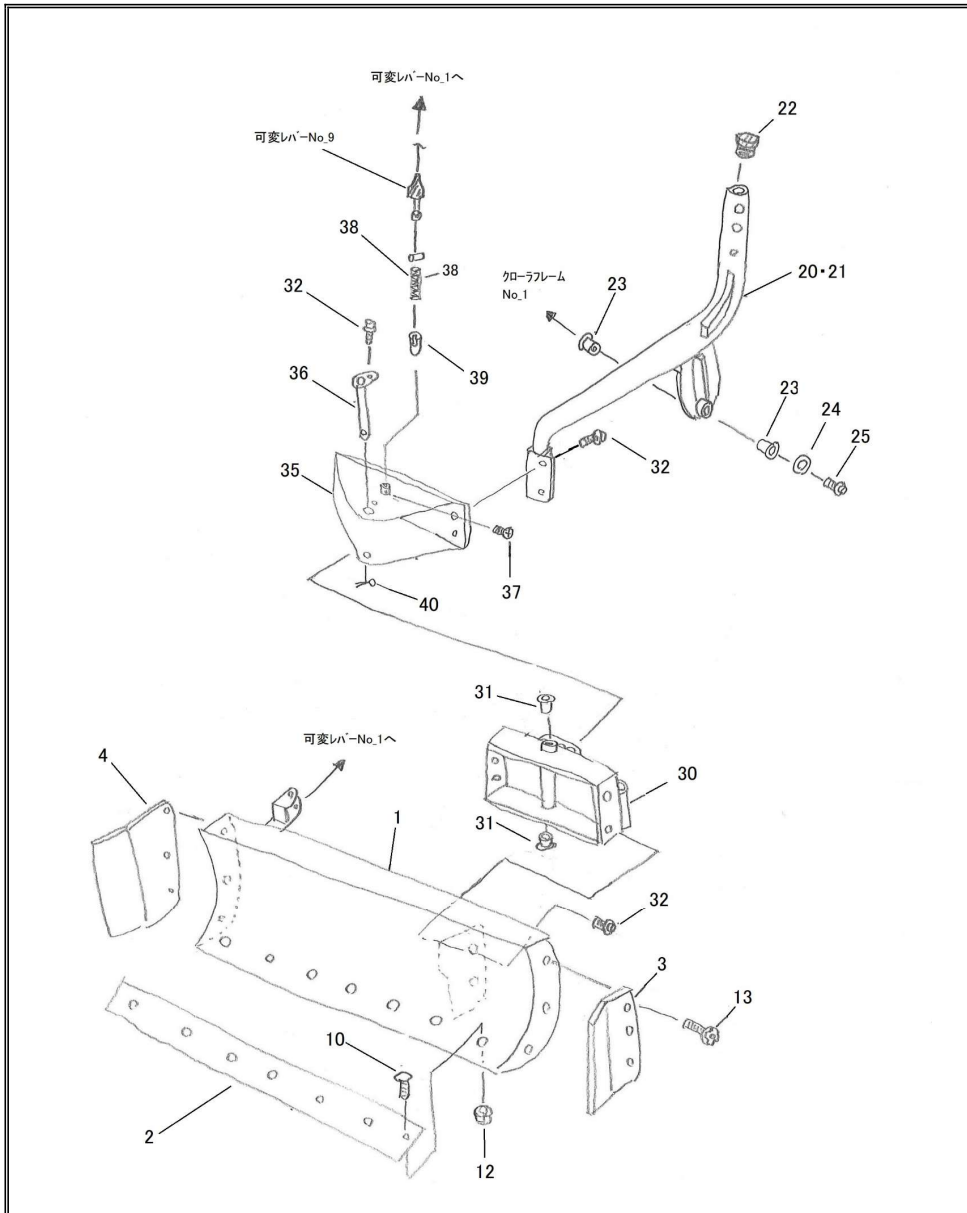
No	Parts No.	Parts name	Quantity	Remark
1	10001-B90-002	TRANSMISSION, SB-10SCS	1	
2	11901-B90-800	STAY, TRANSMISSION	1	
3	11902-B90-800	STAY, WIRE	1	
4	10002-B90-000	LEVER LIT, HST	1	
5	-			
6	-			
7	75913-B18-000	WIRE, SPECIAL 1.2×100	1	
8	-			
9	91382-2502701	CORRUGATE, 25×270	1	
10	93100-0801617	BOLT, FLANGE 8×16	4	
11	93100-0802017	BOLT, FLANGE 8×20	4	
13	94330-0802010	PIN, 8×20	1	
14	94210-25150	PIN, SPLIT 2.5×15	1	
15	-			
16	-			



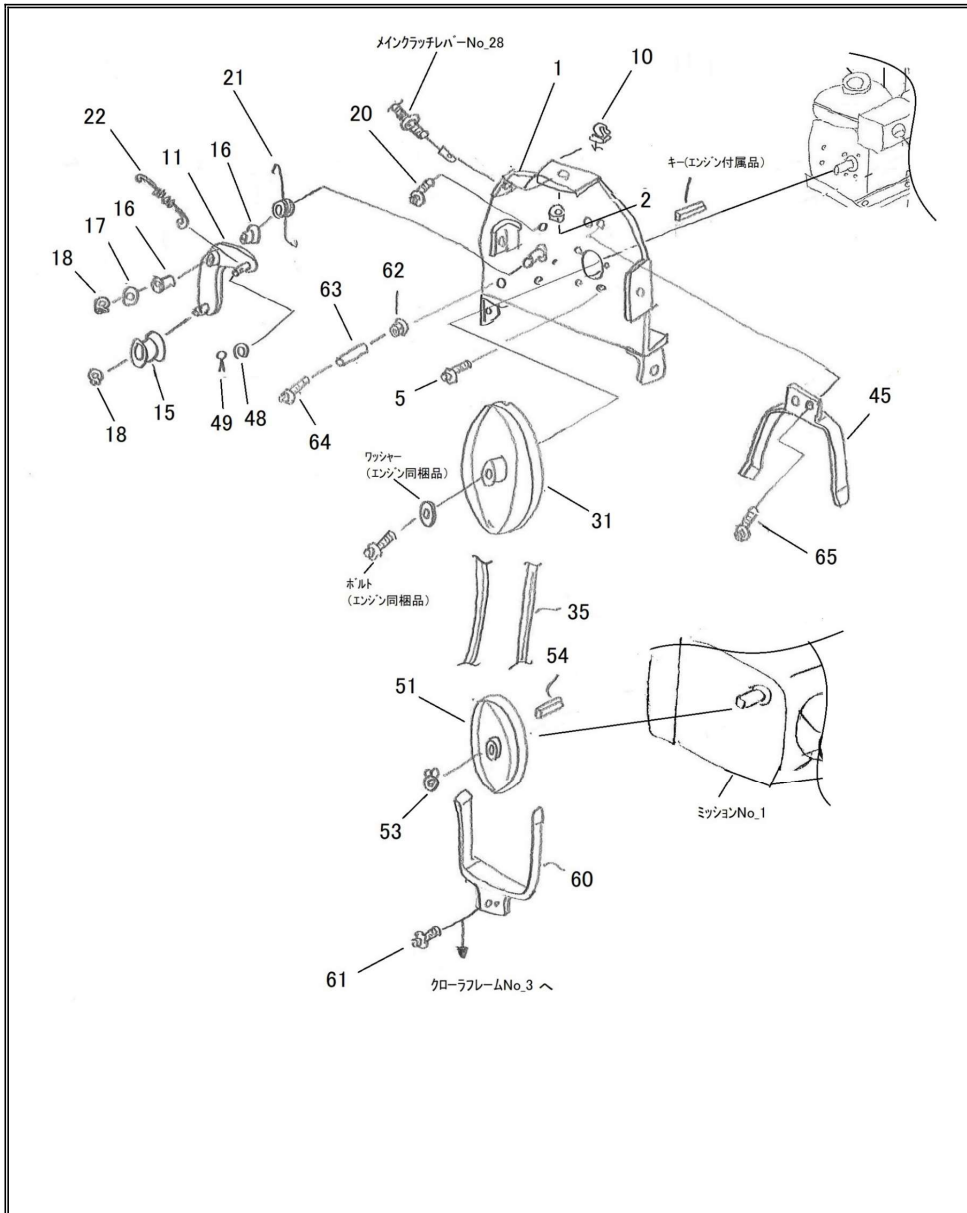
イラストはL側のみ



No	Parts No.	Parts name	Quantity	Remark
1	26901-B90-830	SPROCKET, DRIVE	2	
2	-			
3	-			
4	26400-B90-850	HUB, WHEEL	2	
5	91221-103040	BOLT, SPECIAL 10×30	4	
6	91248-1001	NUT, SPECIAL 10	4	
10	-			
11	-			
12	93300-1004517	BOLT, FLANGE 10×1.25×45	8	
13	94510-20080	CIRCLIP, EX 20	2	
14	-			
15	-			
20	26100-B90-800	WHEEL COMP, REAR	2	
21	96105-06004	BEARING, 6004UU	4	
22	91251-0825451	WASHER, RD 8×25×4.5	2	
23	93100-0802017	BOLT, FLANGE 8×20	2	
24	64903-B32-001	COLLER, 20×21	2	
30	23901-B83-000	CRAWLER, RUBBER 180×72×23	2	
31	-			



No	Parts No.	Parts name	Quantity	Remark
1	31500-B90-000	BLADE COMP, SNOW	1	
2	31901-B90-800	EDGE	1	
3	31907-B90-000	PLATE L, SIDE	1	
4	31908-B90-000	PLATE R, SIDE	1	
5	-			
10	92600-0801614	BOLT, SPECIAL 8×16	7	
11	-			
12	94002-08410	NUT, FLANGE 8	7	
13	91241-0820213	BOLT, KNOB 8×20	6	
15	-			
20	31700-B90-800	PIPE L COMP, UPPER LINK	1	
21	31800-B90-800	PIPE R COMP, UPPER LINK	1	
22	91357-110	CAP, PZ-11	2	
23	91642-2015R	BUSH, BM2015F31FS	4	
24	91251-0830231	WASHER, RD 8×30×2.3	2	
25	93100-0802017	BOLT, FLANGE 8×20	2	
26	-			
30	32100-B90-802	BRACKET COMP, ANGLE ADJUST	1	
31	91642-2020R	BUSH, BM2020F31FS	2	
32	93300-1002517	BOLT, FLANGE 10×1,25×25	9	
33	-			
35	32200-B90-801	BASE COMP, ANGLE ADJUST	1	
36	32300-B90-000	PIN COMP, 20×175	1	
37	93200-0400814	SCREW, SPG 4×8	1	
38	79901-M67-001	SPRING, STOPPER PIN	1	
39	31909-B90-000	PIN, STOPPER	1	
40	94210-40400	PIN, SPLIT 4×40	1	
41	-			

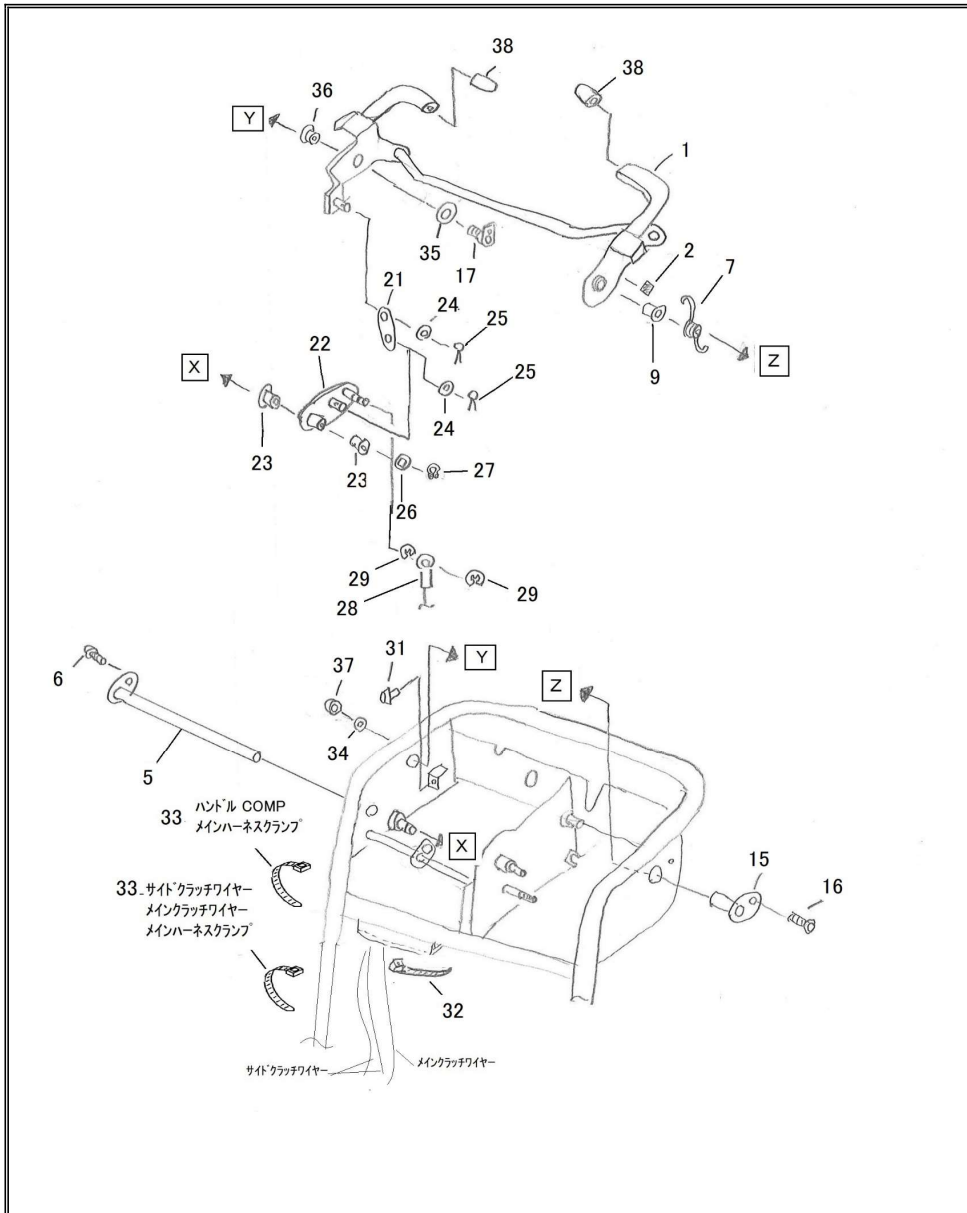


No	Parts No.	Parts name	Quantity	Remark
1	61100-B90-831	BRACKET COMP, TENSION	1	
2	94006-10410	NUT, FLANGE 10×1.25	1	
5	93100-0801617	BOLT, FLANGE 8×16	4	
6	-			
10	91315-C1J77	CRIP, CABLE C-1J77	1	
11	66100-B90-830	ARM COMP, TENSION	1	
15	91615-12503743	PULLEY ,TENSION 50TA2	1	
16	91644-121080	BUSH, FLANGE 80F-1210	2	
17	94101-12010	WASHER, PLAIN 12	1	
18	94510-12080	CIRCLIP, EX 12	2	
20	93100-0802517	BOLT, FLANGE 8×25	2	
21	72901-B54-002	SPRING L, RETURN	1	
22	61901-M60-001	SPRING, COIL 16.3×61	1	
30	-			
31	63100-B90-030	PULLEY COMP, 127B×20	1	
35	91652-0808033	BELT W800, SB33	1	
36	-			
37	-			
38	-			
39	-			
40	-			
45	65901-B90-801	STOPPER A, BELT	1	
46	-			
48	94101-08010	WASHER, PLAIN 8	1	
49	94210-25150	PIN, SPLIT 2.5×15	1	
50	-			
51	63200-B90-001	PULLEY COMP, 106B-1×20	1	
53	94510-15080	CIRCLIP, EX 15	1	
54	97112-020141	KEY, 5×5×20SR	1	
55	-			
60	65200-B90-802	STOPPER B COMP, BELT	1	
61	93100-0802017	BOLT, FLANGE 8×20	2	
62	94002-08410	NUT, FLANGE 8	1	
63	91544-0730015	TUBE 7.3×15	1	
64	93100-0803517	BOLT, FLANGE 8×35	1	
65	93100-0801617	BOLT, FLANGE 8×16	2	
66	-			



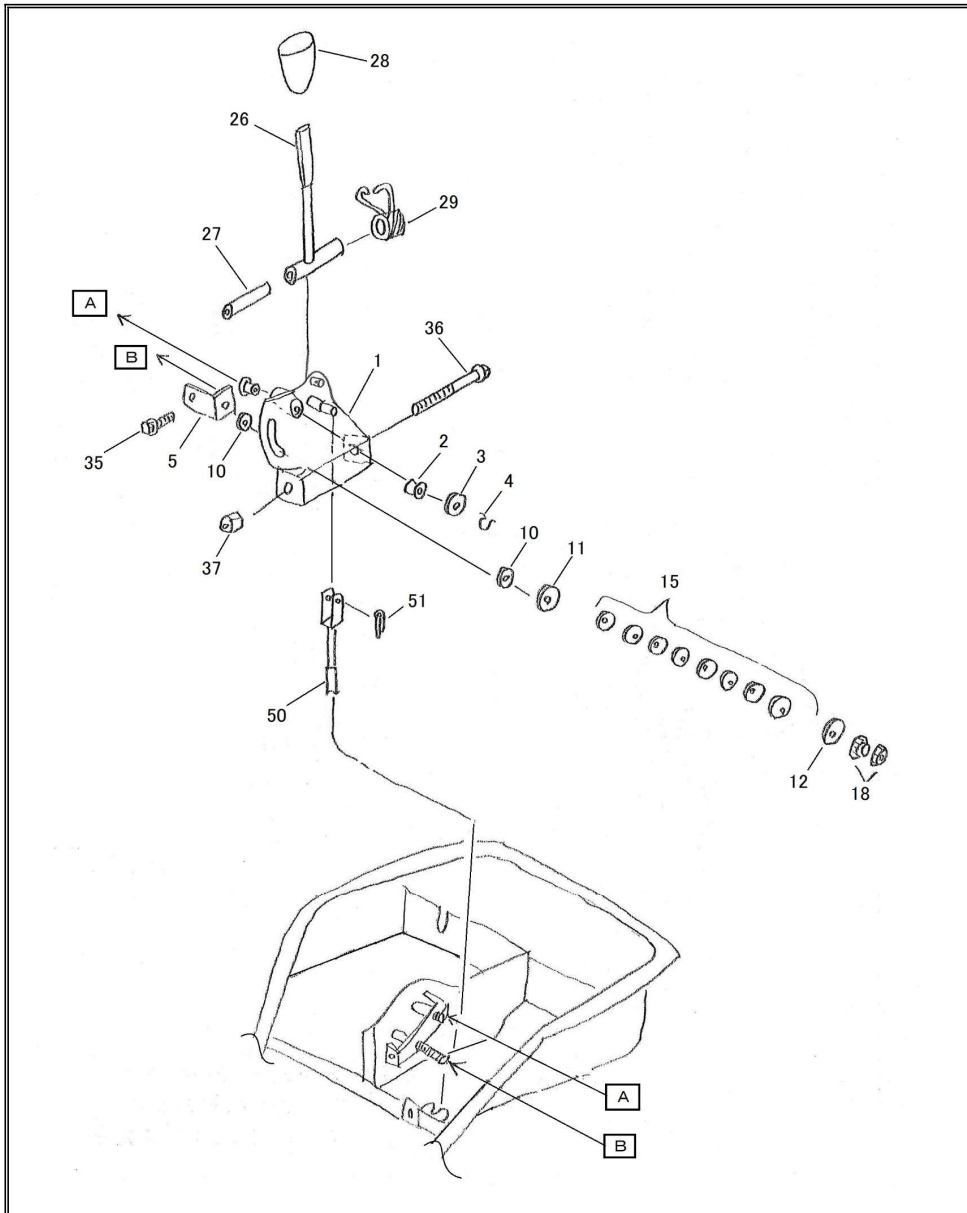






No	Parts No.	Parts name	Quantity	Remark
1	73100-B90-031	LEVER COMP, MAIN CLUTCH	1	
2	79904-B90-000	SEAL, PROTECT	1	
5	71300-B90-000	PIN 250 COMP, LEVER	1	
6	93100-0601617	BOLT, FLANGE 6×16	1	
7	72901-B56-001	SPRING L, SIDE	1	
8	-			
9	91644-121080	BUSH, 80F-1210	1	
10	-			
15	72800-B88-000	PIN 30 COMP, LEVER	1	
16	93100-0601617	BOLT, FLANGE 6×16	1	
17	72700-B90-800	PIN COMP FULCRUM	1	
18	-			
19	-			
20	-			
21	72901-B90-800	LINK 58	1	
22	72600-B90-800	LINK COMP, MAIN CLUTCH	1	
23	91644-151080	BUSH, 80F-1210	2	
24	94101-08010	WASHER, PLAIN 8	2	
25	94210-25150	PIN, SPLIT 2.5×15	2	
26	91251-1525231	WASHER, RD 15×25×2.3	1	
27	94510-15080	CIRCLIP, EX 15	1	
28	77100-B90-030	WIRE, MAIN CLUTCH	1	
29	94511-07010	E RING, 7	2	
30	-			
31	33907-B72-000	RUBBER	1	
32	91314-119P7	STRAP, CABLE 1-19P7	1	
33	91310-150	BAND, PRT1.5S	2	
34	94101-08015	WASHER, PLAIN 8	1	
35	91251-1240231	WASHER, RD 12×40×2.3	1	
36	91644-120680	BUSH, 80F-1206	1	
37	94022-08413	NUT, CAP 8	1	
38	73901-B90-000	COVER, DIPPING	2	
39	-			





No	Parts No.	Parts name	Quantity	Remark
1	75300-B90-830	BRACKET COMP, LEVER	1	
2	91644-151280	BUSH, 80F-1512	2	
3	75903-B90-000	WASHER, RD 15×21×2.3	1	
4	94510-15080	CIRCLIP, EX 15	1	
5	75902-B90-800	PLATE A, THRUST	1	
10	91648-8010	WASHER, 80W-10	2	
11	91251-1025321	WASHER, RD 10×25×3.2	1	
12	94101-10010	WASHER, PLAIN 10	1	
15	91252-101	WASHER, SPG L10	8	
18	91235-10100	NUT, HARD LOCK 10	1	
20	-			
25	-			
26	75200-B90-801	LEVER COMP, CHANGE	1	
27	75903-M72-002	COLLER, 9×63.5	1	
28	75991-A90-000	GRIP, CHANGE LEVER	1	
29	72901-B56-001	SPRING L, RETURN	1	
35	93100-0601217	BOLT, FLANGE 6×12	1	
36	93100-0808017	BOLT, FLANGE 8×80	1	
37	91233-084120	NUT, SPECIAL 8	1	
40	-			
45	-			
50	77300-B90-000	WIRE, CHANGE MAIN	1	
51	94210-25150	PIN, SPLIT 2.5×15	1	
52	-			
53	-			









