

Mikasa

PLATE COMPACTOR
MVC-F60R VAS
MVC-F60H VAS
PARTS LIST



MIKASA SANGYO CO.,LTD.

405-04305

PARTS REMARK INDEX

How to read the marks and remarks used in this parts book.

Section 1 : Explanation of Code Use In “MRK” Column

OO : Interchangeable between the new part and the old one.

XX : Not Interchangeable between new and old.

OX : New part is usable for the old machine but the old part is not usable for the new machine.

XO : The old part is usable for the new machine but the new part is not usable for the old machine.

Note : In case of the lack of interchangeability between the new part and old part, a new part may be used by replacing all other parts found in the assembly. In this case, refer to section 2 for instruction on identifying other parts involved in a new assembly.

AD : Newly established(added)

DC : Suspended(discontinued)

NC : Part number changed

QC : Quantity used has been changed

NS : Not supplied individually but supplied in an assembly or a group.

AS : Special part designed to allow interchangeability between new and old part.

CR : Correction

Section 2 : Items Found In “Remark” Column

Serial Numbers — Where indicated, this indicates a serial number range (inclusive) where a particular part is used.

Model Number — Where indicated, this shows that the corresponding part is utilized only with this specific model number or model number variant.

or * : All parts with the same number following # or * belong to the same assembly. this part cannot be interchanged individually with any other assemblies to replace an old part (indicated by #), with a new part(indicated by *), then all other parts of that assembly must be replaced with new ones.

Note : If more than one of the same reference number is listed, the last one listed indicates newest(or latest)part available.

Section 3: Example

| REF NO. | PART NO. | PART NAME | QTY | MRK | REMARKS |
|---------|------------|------------------------|-----|-------|-----------------|
| 457(1) | 5122-09230 | Hinge Metal, Upper/24g | 1 | | -1070 #3 (5) |
| 457(2) | 5072-09420 | Hinge Metal, Upper M16 | 1 | OX(3) | U1071-(6) *3(7) |

(1) Old part

(2) New part

(3) New part usable with old machine, but old part not usable with new machine (reference section 1).

(4) Old part number is used through this machine serial number.

(5) Old part, used in an assembly with other parts marked with #3. To use this part on a new machine, all other parts in this assembly must be replaced with old ones.

(6) New part put into use starting with this serial number and is still current.

(7) New part used in an assembly with other parts marked *3, to use this part as a replacement for an old part, all other *3 marked parts must be changed at the same time.

Section 4: Items Found In “MK2” Column

(only for suspended products)

! OO (“OO” is shown in figure) : The part shown in lower line is supplied.

! SD : Not available due to termination of production.

! NS : Not supplied individually, but supplied in an assembly or a group.

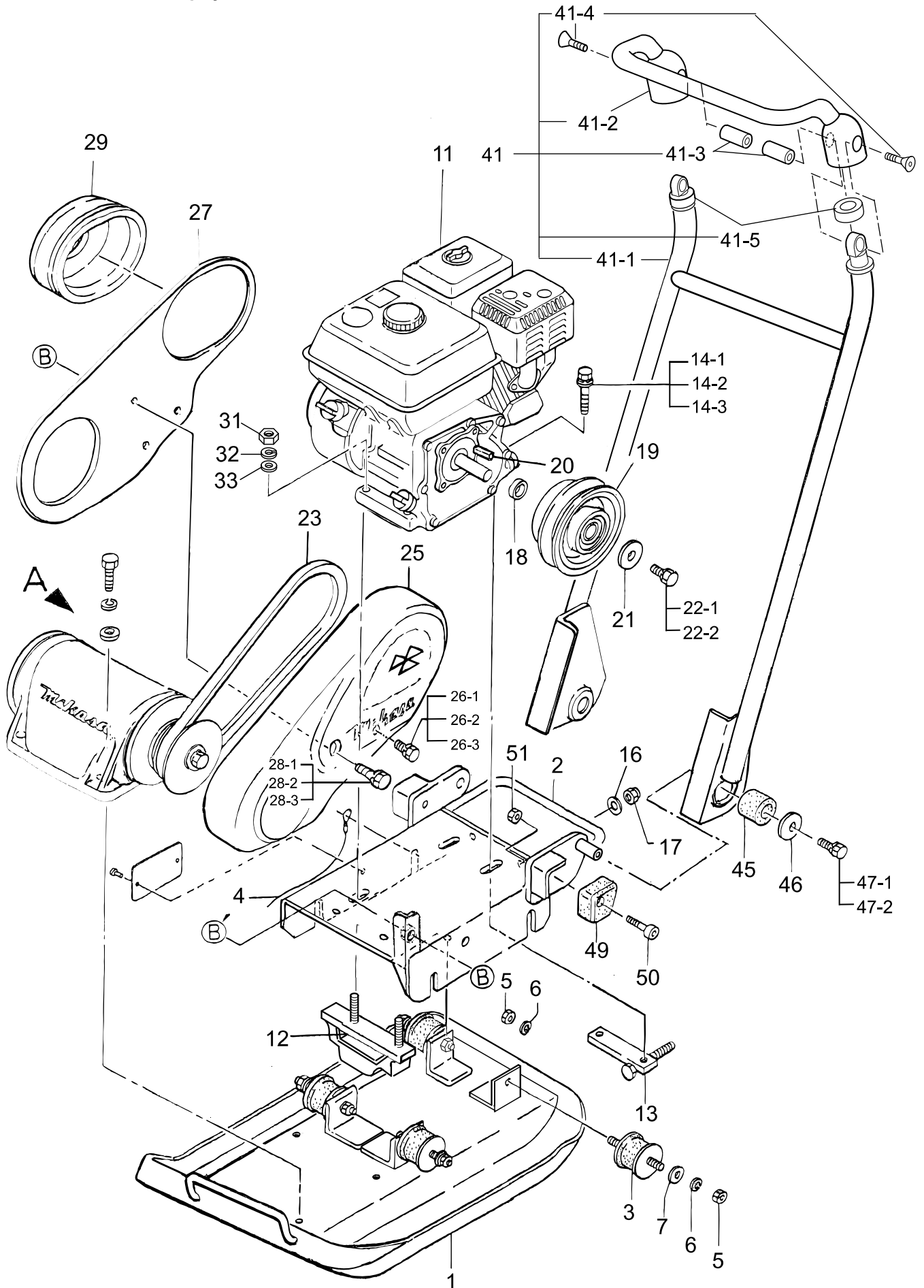
! PD : Supplied as unit product.

SS : Not available after stock run out.

(The contents of this parts catalog are subject to change without notice.)

MVC-F60R VAS / F60H VAS
BODY / 本体

40B1



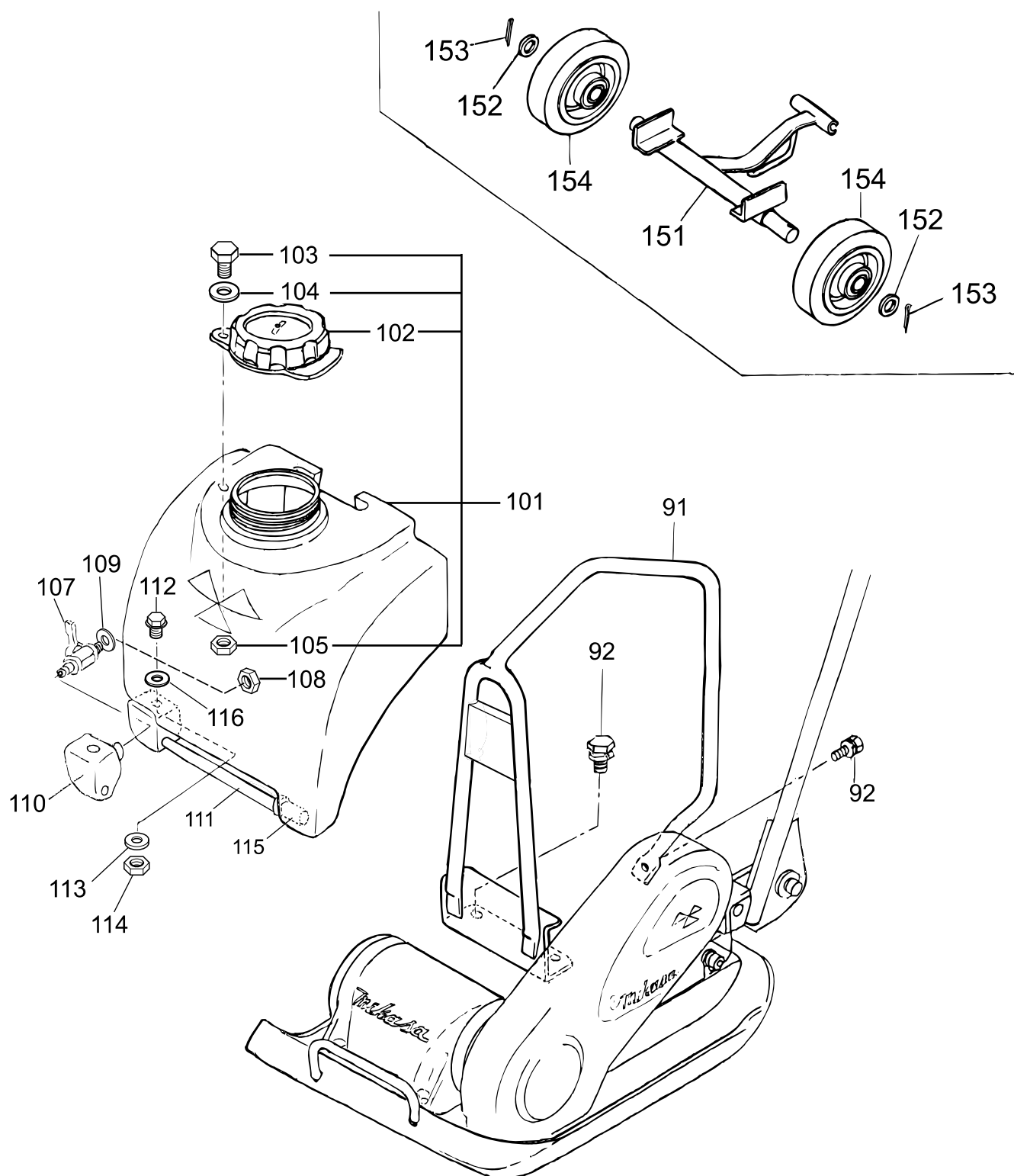
BODY

** 40B **

| REF NO. | PART NO. | PART NAME | Q' TY | MRK | MK2 | REMARKS |
|---------|--------------|------------------------------|-------|-----|-----|--------------|
| 1 | 4181-18540 | VIB. PLATE 570X350/MVC-F60 | 1 | | | |
| 2 | 4182-16890 | BASE / MVC-F60SERIES | 1 | | | |
| 2 | 4181-19060 | BASE / MVC-F60SERIES | 1 | OX | | |
| 3 | 9390-10254 | SHOK ABSORBER D45-H41 | 4 | | | |
| 4 | 9594-04350 | EARTH WIRE | 1 | | | |
| 5 | 0203-10080 | NUT M10 | 8 | | | |
| 6 | 0302-10250 | SW M10 | 8 | | | |
| 7 | 0311-10160 | PW M10 | 4 | | | |
| 11 | 9122-12009 | ENGINE AY/GX120U1SM12 | 1 | | | GX120/MQ |
| 11 | 9122-12010 | ENGINE AY/GX120U1SM14 | 1 | | | GX120/EXPORT |
| 11 | 9112-21304 | ENGINE AY EX13 EXP/BL/MM | 1 | | | EX13 |
| 12 | 4184-57690 | BOLT, ENGINE/MVC-F60 | 1 | | | |
| 13 | 4134-36870 | ENGINE NUT, REAR /MVC-60 | 1 | | | |
| 14 -1 | 0012-20840 | BOLT 8X40 T | 2 | | | |
| 14 -2 | 0302-08200 | SW M8 | 2 | | | |
| 14 -3 | 0311-08160 | PW M8 | 2 | | | |
| 16 | 0311-08160 | PW M8 | 1 | | | |
| 17 | 0227-10809 | NYLON NUT M8 | 1 | | | |
| 18 | 4044-18150 | SPACER 18X25X8/CLUTCH | 1 | | | F60 |
| 19 | 4604-46780 | CLUTCH AY A1 /65W | 1 | | | |
| 20 | 032-00501-50 | KEY | 1 | | | |
| 21 | 9524-00130 | WASHER 9304 | 1 | | | |
| 22 -1 | 0012-20825 | BOLT 8X25 T | 1 | | | |
| 22 -2 | 0302-08200 | SW M8 | 1 | | | |
| 23 | 0701-00312 | V-BELT RPF-3310 | 1 | | | |
| 25 | 4182-16470 | BELT COVER MQ-OR/F60, 70 | 1 | | | MQ-OR |
| 25 | 4182-16460 | BELT COVER / MVC-F60, F70 | 1 | SX | | EXP-GR |
| 26 -1 | 0012-21035 | BOLT 10X35 T | 1 | | | |
| 26 -2 | 0302-10250 | SW M10 | 1 | | | |
| 26 -3 | 0311-10160 | PW M10 | 1 | | | |
| 27 | 4182-16480 | BELT COVER (IN) /MVC-F60, 70 | 1 | | | |
| 28 -1 | 0012-21053 | BOLT 10X65 T | 1 | | | |
| 28 -2 | 0302-10250 | SW M10 | 1 | | | |
| 28 -3 | 0311-10160 | PW M10 | 1 | | | |
| 29 | 4183-43420 | COVER SEAL (E/G) /F60, F70 | 1 | | | |
| 31 | 0203-08060 | NUT M8 | 2 | | | |
| 32 | 0302-08200 | SW M8 | 2 | | | |
| 33 | 0311-08160 | PW M8 | 2 | | | |
| 41 | 4189-10070 | VAS HANDLE ASSY /F60 | 1 | | SX | |
| 41 -1 | 4182-17050 | VAS HANDLE BODY/MVC-F60 | 1 | | | |
| 41 -2 | 4182-17060 | GRIP, VAS HANDLE/MVC-F60 | 1 | | | |
| 41 -3 | 4164-59320 | HANDLE NUT, VAS HANDLE/88G | 2 | | | |
| 41 -4 | 0091-20407 | SUNK HEAD BOLT 10X20 T | 2 | | | |
| 41 -5 | 4164-59340 | RUBBER, VAS HANDLE/MVC-88G | 2 | | | |
| 45 | 4044-33430 | RUBBER 20X32X28. 5/52H | 2 | | | |
| 46 | 9524-03450 | WASHER 11X35X4. 5 | 2 | | | |
| 47 -1 | 0012-21020 | BOLT 10X20 T | 2 | | | |
| 47 -2 | 0302-10250 | SW M10 | 2 | | | |
| 49 | 4134-36720 | RUBBER, HANDLE /MVC-60 | 2 | | | |
| 50 | 0015-20845 | SOCKET HEAD BOLT 8X45 T | 2 | | | |
| 51 | 0203-08060 | NUT M8 | 2 | | | |

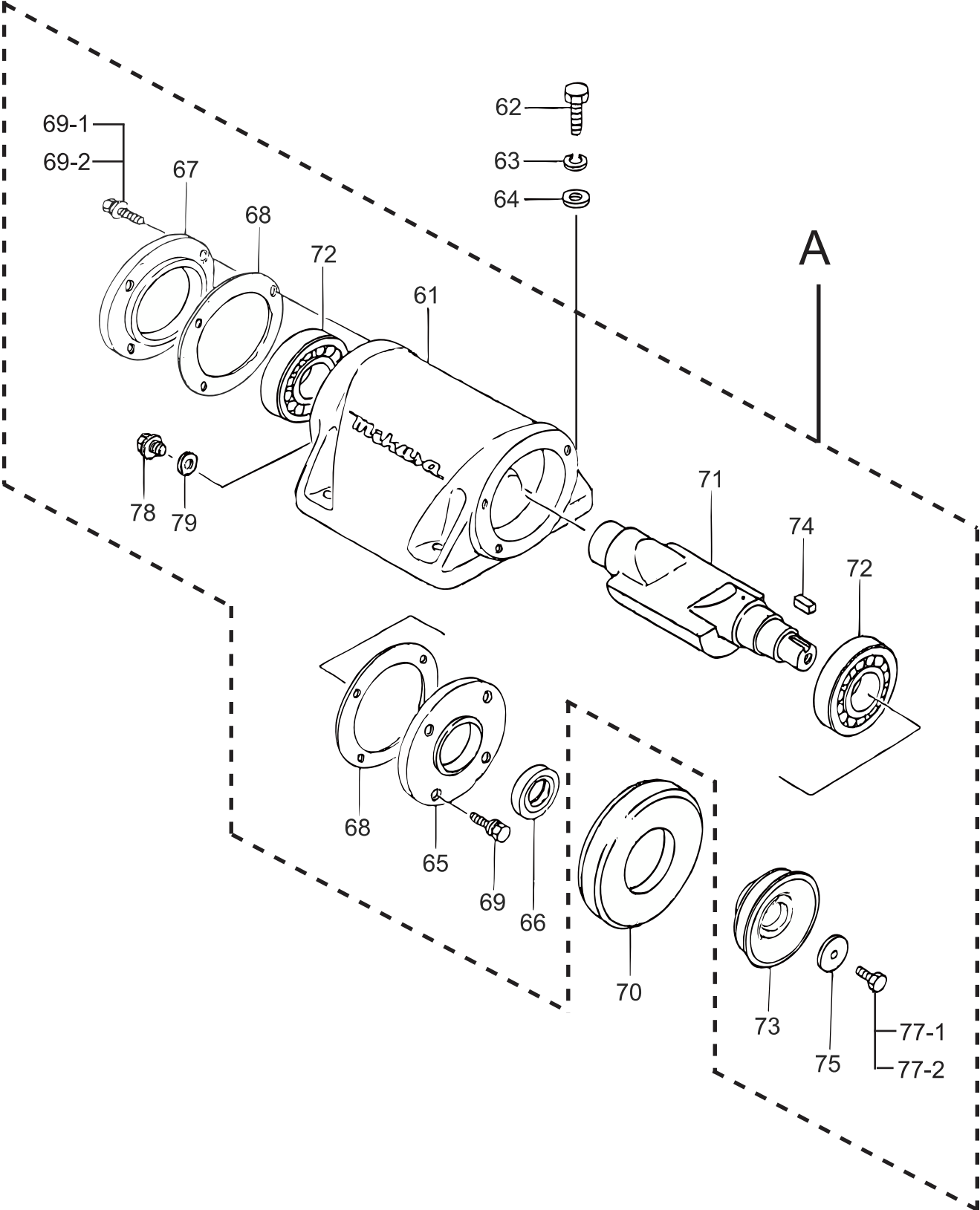
MVC-F60R VAS / F60H VAS

ACCESSORIES / 装備品 (フック、散水装置、移動車)



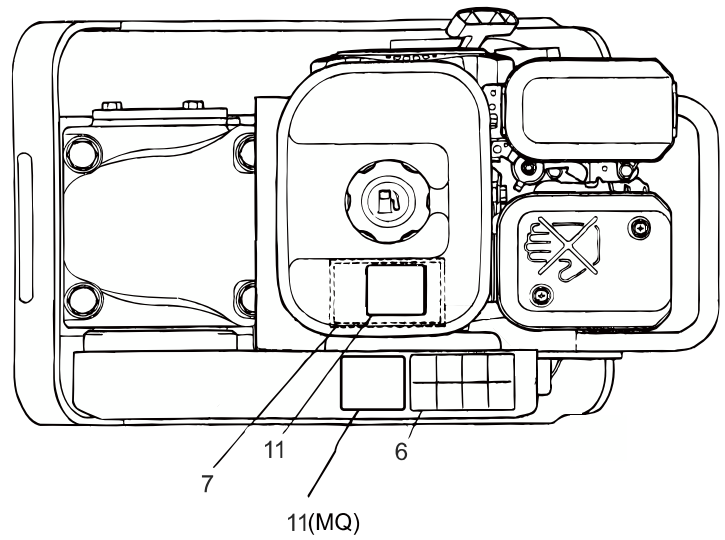
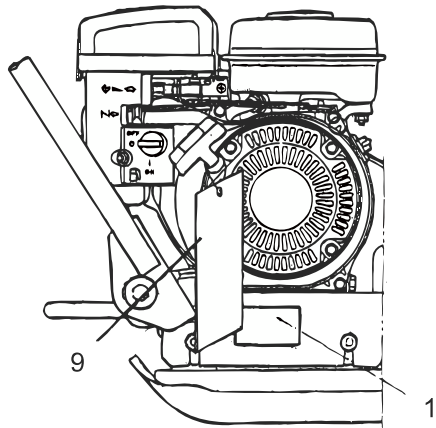
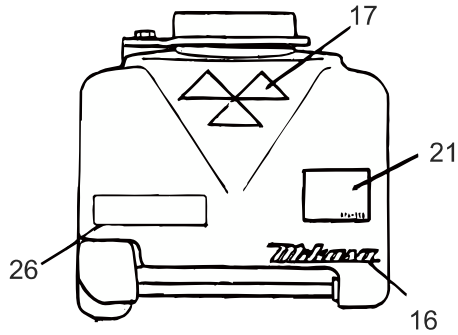
MVC-F60R VAS / F60H VAS
VIBRATOR / 起振体

4OD1



MVC-F60R VAS / F60H VAS NAME PLATES / 銘板

40E1



45

EXP / EU

Makasa S3-000343
 MVC/MCD : NPA-1473, 1474, 1479
 MCD ONLY : NPA-1468, 1481

NPA-1480 : EH/EX/GX

| | | | | | |
|--|--|--|--|--|--|
| | | | | | |
| | | | | | |
| | | | | | |
| | | | | | |

109-11790

109-12100



MIKASA SANGYO CO.,LTD.

HEAD OFFICE
NO. 4-3. 1-CHOME, SARUGAKU-CHO, CHIYODA-KU
TOKYO, JAPAN