

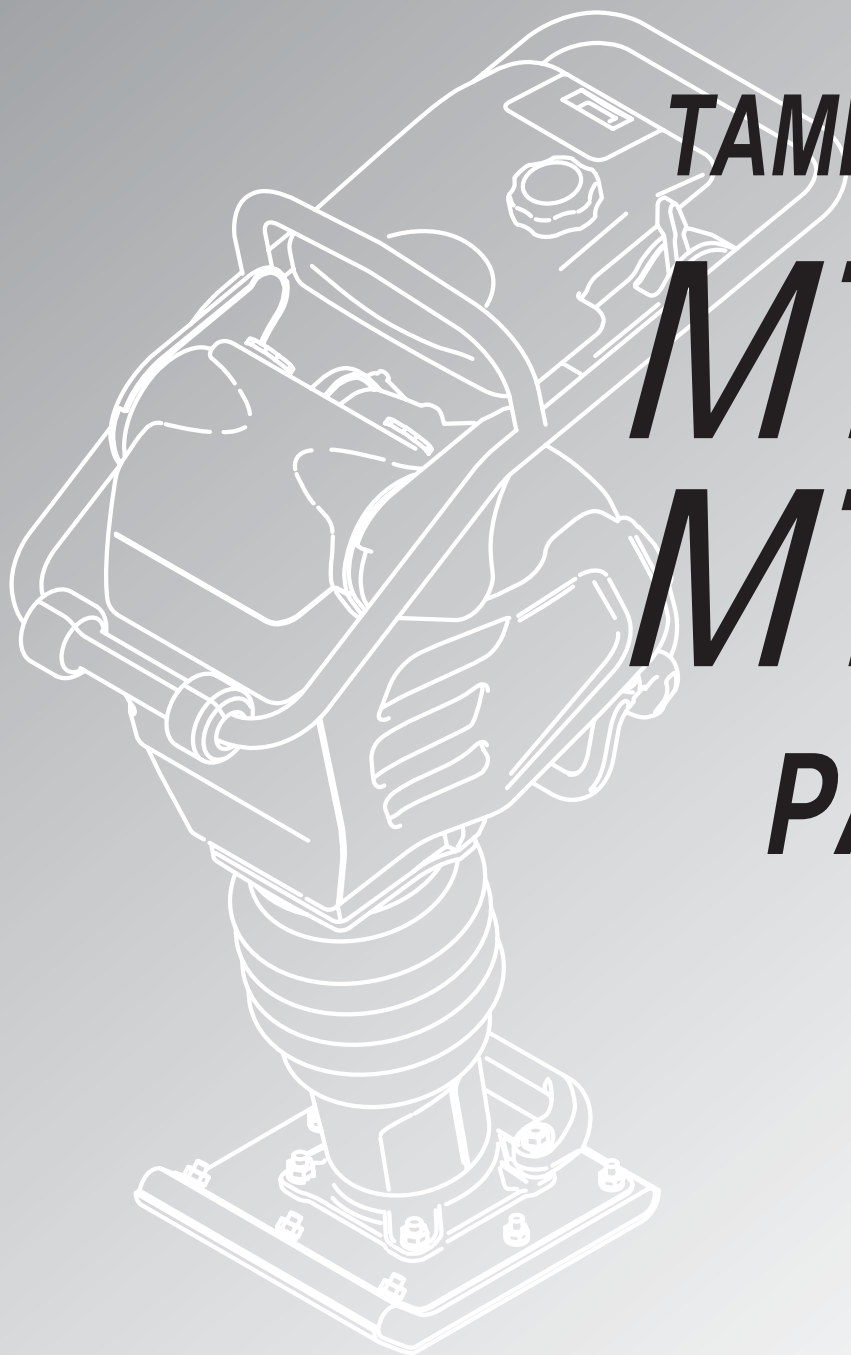


TAMPING RAMMER

MTX-80

MTX-90

PARTS LIST



MIKASA SANGYO CO.,LTD.

305-03704

PARTS REMARK INDEX

How to read the marks and remarks used in this parts book.

Section 1 : Explanation of Code Use In “MRK” Column

OO : Interchangeable between the new part and the old one.

XX : Not Interchangeable between new and old.

OX : New part is usable for the old machine but the old part is not usable for the new machine.

XO : The old part is usable for the new machine but the new part is not usable for the old machine.

Note : In case of the lack of interchangeability between the new part and old part, a new part may be used by replacing all other parts found in the assembly. In this case, refer to section 2 for instruction on identifying other parts involved in a new assembly.

AD : Newly established(added)

DC : Suspended(discontinued)

NC : Part number changed

QC : Quantity used has been changed

NS : Not supplied individually but supplied in an assembly or a group.

AS : Special part designed to allow interchangeability between new and old part.

CR : Correction

Section 2 : Items Found In “Remark” Column

Serial Numbers - Where indicated, this indicates a serial number range (inclusive) where a particular part is used.

Model Number - Where indicated, this shows that the corresponding part is utilized only with this specific model number or model number variant.

or * : All parts with the same number following # or * belong to the same assembly. this part cannot be interchanged individually with any other assemblies to replace an old part (indicated by #), with a new part(indicated by *), then all other parts of that assembly must be replaced with new ones.

Note : If more than one of the same reference number is listed, the last one listed indicates newest(or latest)part available.

Section 3: Example

REF NO.	PART NO.	PART NAME	QTY	MRK	REMARKS
457(1)	5122-09230	Hinge Metal, Upper/24g	1		-1070 #3 (5)
457(2)	5072-09420	Hinge Metal, Upper M16	1	OX(3)	U1071-(6) * 3(7)

(1) Old part

(2) New part

(3) New part usable with old machine, but old part not usable with new machine (reference section 1).

(4) Old part number is used through this machine serial number.

(5) Old part, used in an assembly with other parts marked with #3. To use this part on a new machine, all other parts in this assembly must be replaced with old ones.

(6) New part put into use starting with this serial number and is still current.

(7) New part used in an assembly with other parts marked * 3, to use this part as a replacement for an old part, all other * 3 marked parts must be changed at the same time.

Section 4: Items Found In “MK2” Column

(only for suspended products)

! OO (“OO” is shown in figure) : The part shown in lower line is supplied.

! SD : Not available due to termination of production.

! NS : Not supplied individually, but supplied in an assembly or a group.

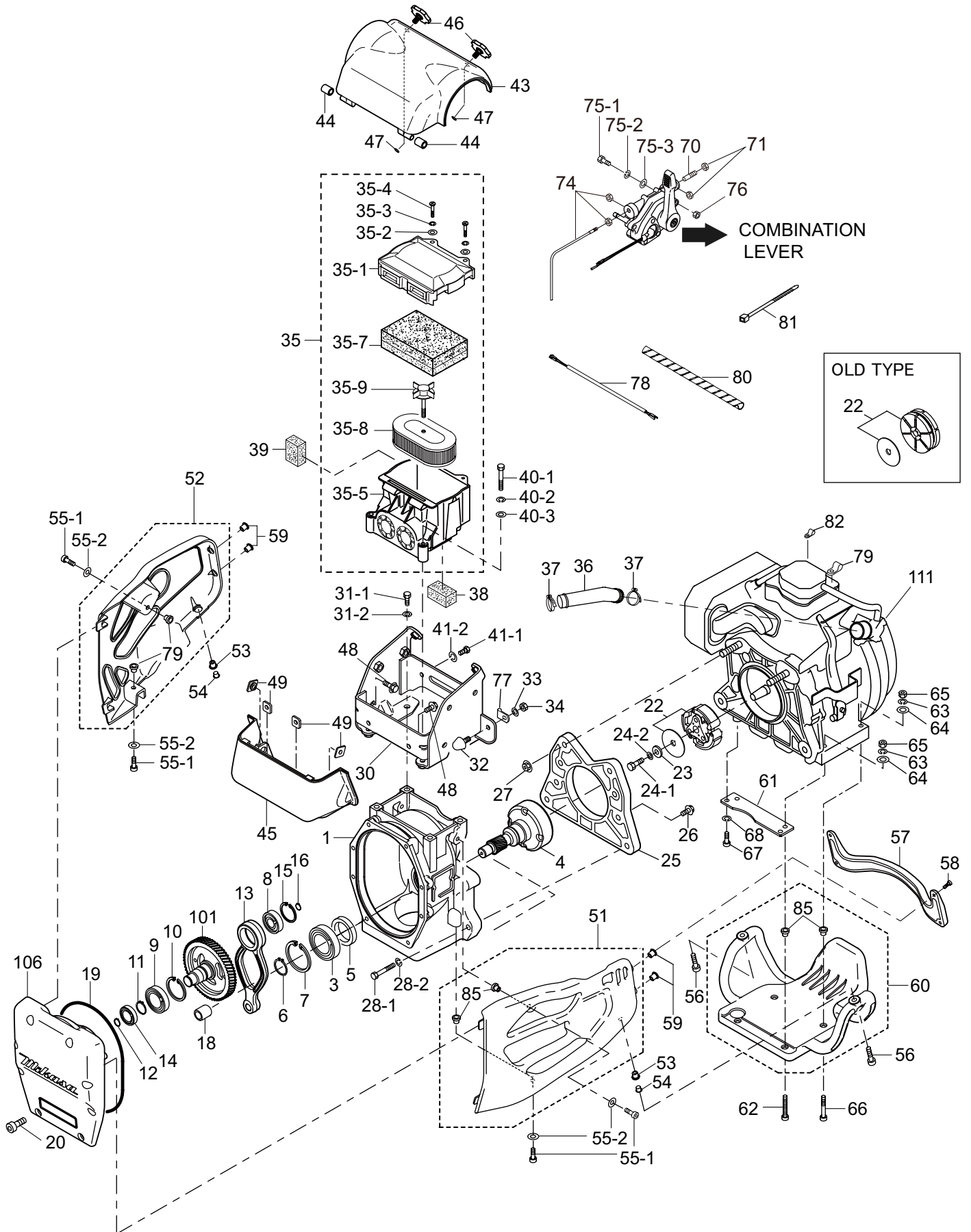
! PD : Supplied as unit product.

SS : Not available after stock run out.

(The contents of this parts catalog are subject to change without notice.)

MTX-80 , 90 CRANK CASE,ENGINE

3LY1



CRANK CASE, ENGINE

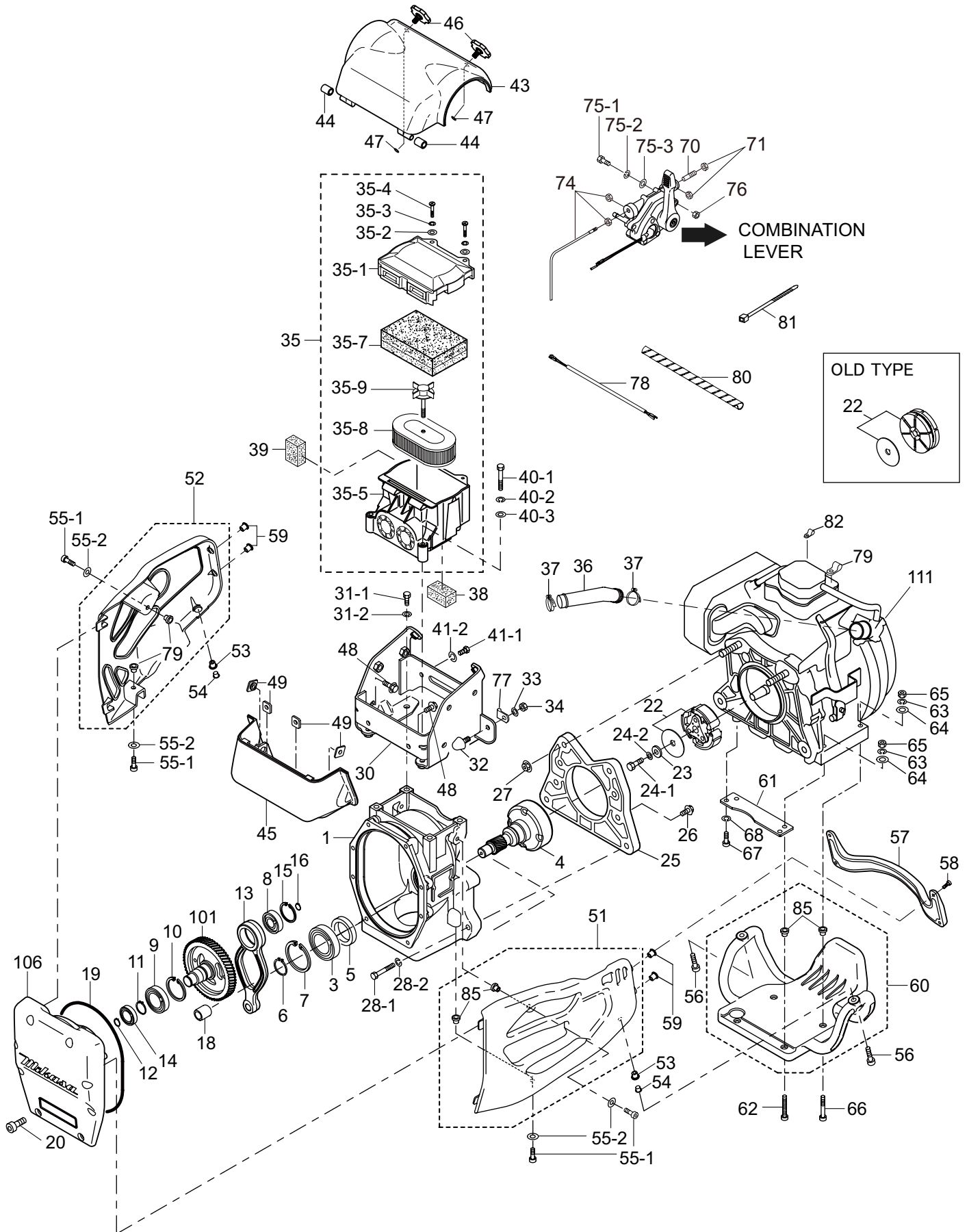
** 3LY

**

REF NO.	PART NO.	PART NAME	Q' TY	MRK	MK2	REMARKS
1	3661-18940	CRANK CASE / MTX-80	1			
3	0410-06007	BEARING 6007Z	1			
4	3673-45180	PINION, DRUM / MTX-80	1			
5	0604-04010	OIL SEAL TC-40528	1			
6	0802-00350	STOP RING S-35	1			
7	0801-00620	STOP RING R-62	1			
8	0400-06207	BEARING 6207	1			
9	0400-06305	BEARING 6305	1			
10	0801-00720	STOP RING R-72	1			
11	0802-00350	STOP RING S-35	1			
12	0802-00250	STOP RING S-25	1			
13	3663-45230	CONNECTING ROD / MTX-70	1			
14	0400-06304	BEARING 6304	1			
15	0801-00520	STOP RING R-52	1			
16	0802-00200	STOP RING S-20	1			
18	0479-40060	NEEDLE BEARING FJ-1816	1			
19	0507-10080	O-RING AS568-267	1			
20	0015-20825	SOCKET HEAD BOLT 8X25 T	8			
22	3663-46210	CLUTCH ASSY / MTX-70	1		SS!3663-48550	-S1241-S1077
22	3663-48550	CLUTCH ASSY (L)/MTX	1			MTX80 S1242-
22	3663-48550	CLUTCH ASSY (L)/MTX	1			MTX90 S1078-
23	9524-01450	WASHER 8. 5X22X3	1			
24 -1	0012-20825	BOLT 8X25 T	1			
24 -2	0302-08200	SW M8	1			
25	3672-17260	FLANGE, ENGINE / MTX-80	1			
26	0017-10830	FLANGE BOLT 8X30	4			
27	0226-11010	FLANGE NUT M10 H	2			
28 -1	0012-21054	BOLT 10X70 T	2			
28 -2	0302-10250	SW M10	2			
30	3663-46280	BRACKET, SHOCK ABSORBER	1			
31 -1	0012-11030	BOLT 10X30 H	4			
31 -2	0302-10250	SW M10	4			
32	9390-10270	STOPPER RUBBER (70) /MT	1			
33	0302-08200	SW M8	1			
34	0203-08060	NUT M8	1			
35	3669-00010	AIR CLEANER ASSY / MTX	1			
35 -1	3660-10010	AIR CLEANER COVER / MTX	1			
35 -2	3660-10020	PW M6 (6. 5X18X1. 5)	2			
35 -3	0302-06150	SW M6	2			
35 -4	3660-10040	COIN BOLT M6 /MTX	2		SX	
35 -5	3660-10050	BASE CP, AIR CLEANER/MTX	1			
35 -7	3660-10070	PRIMARY ELEMENT CP /MTX	1			
35 -8	3660-10080	SECONDARY ELEMENT/MTX	1			
35 -9	3620-30040	GRIP BOLT CP, AIR CLERNER	1			
36	3672-17460	PIPE, INTAKE / MTX-80	1			
37	9544-07682	CYCLONE CLAMP (CY-1) 38	2			
38	3664-60160	SEALING FORM, UNDER / MTX	1			
39	3664-60150	SEALING FORM, SIDE / MTX	1			
40 -1	0012-20851	BOLT 8X55 T	2			
40 -2	0302-08200	SW M8	2			
40 -3	0311-08160	PW M8	2			
41 -1	0012-10815	BOLT 8X15 H	2			
41 -2	0302-08200	SW M8	2			
43	3662-17340	COVER, CLEANER AY (UPPER)	1			
44	3664-60140	RUBBER BUSH (10X16X17)	2			
45	3662-17350	COVER, CLEANER AY (UNDER)	1			
46	3663-45980	KNOB, CLEANER COVER / MTX	2			
47	0502-00060	O-RING P6	2			
48	0091-10040	FLANGE BOLT 8X20	4			
49	9594-07670	SQUARE NUT M8	4			
51	3671-18990	GUARD, LINK / MTX-80	1			
52	3671-19000	GUARD, MUFFLER / MTX-80	1			
53	0229-10260	WELL NUT M8	2			
54	3664-60170	FULANGE COLLAR 8	2			
55 -1	0015-20820	SOCKET HEAD BOLT 8X20 T	4			

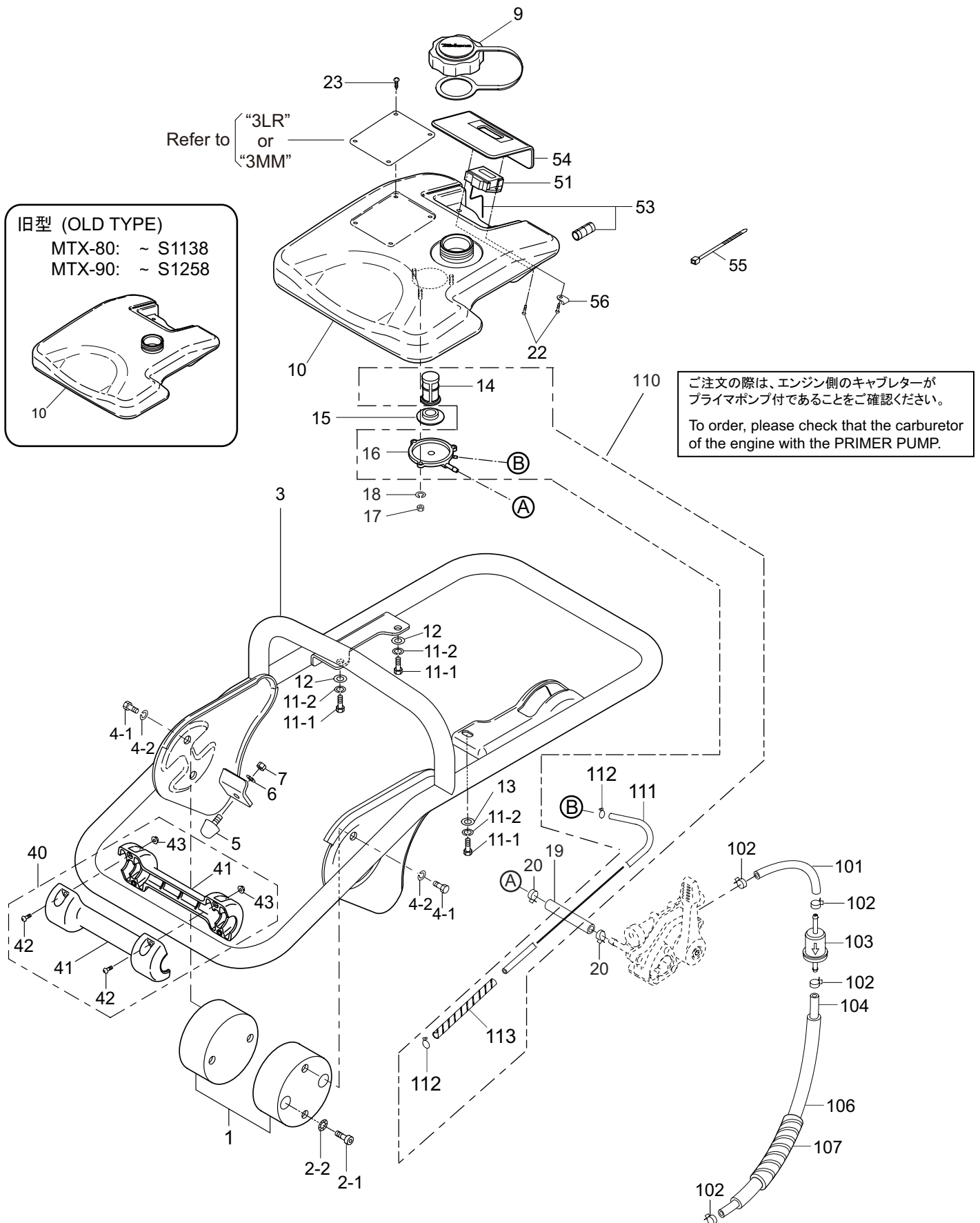
MTX-80 , 90 CRANK CASE,ENGINE

3LY1



MTX-80 , 90 FUEL TANK, HANDLE / 燃料タンク、ハンドル

3LZ0



FUEL TANK, HANDLE

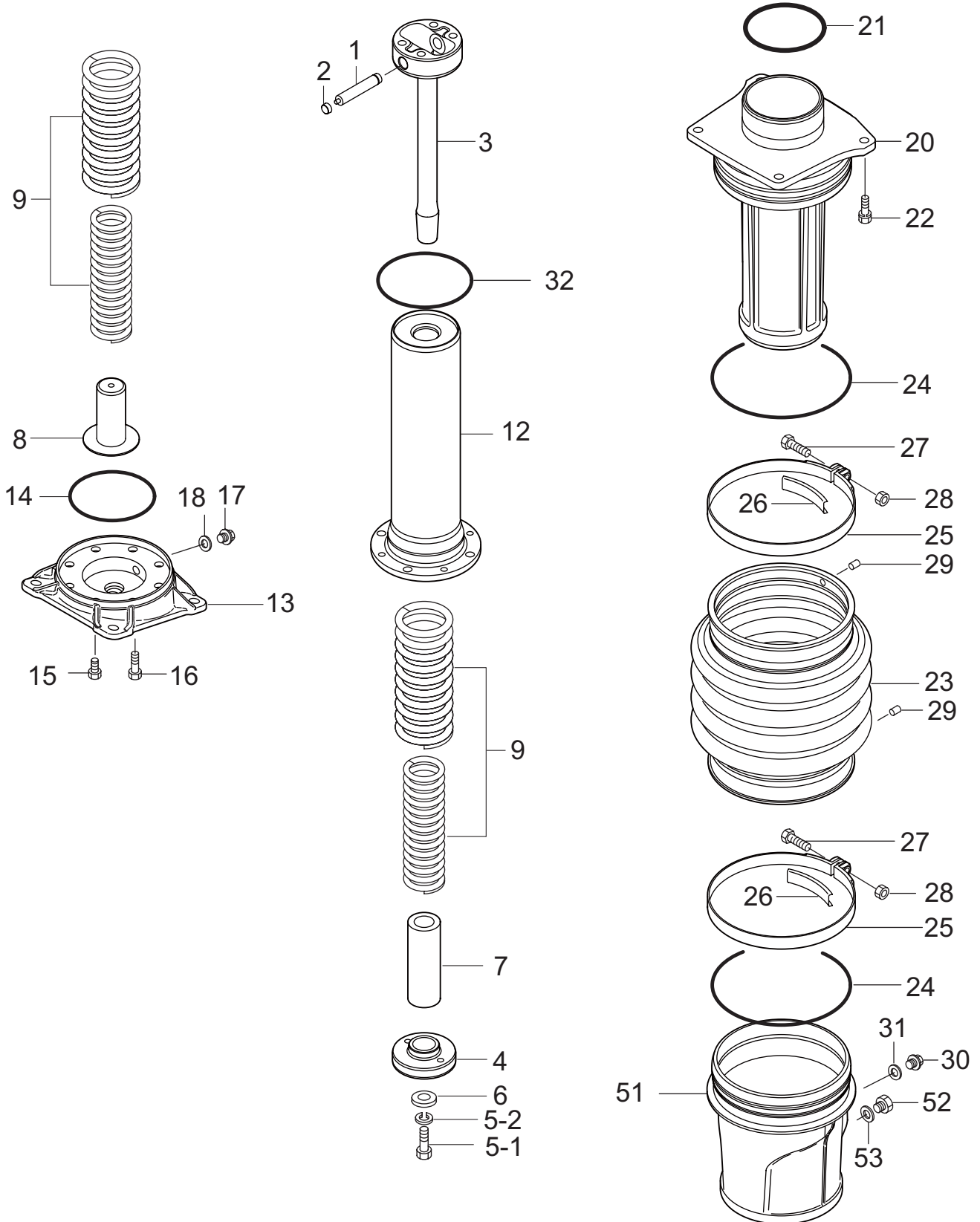
** 3LZ

**

REF NO.	PART NO.	PART NAME	Q' TY	MRK	MK2	REMARKS
1	3663-46270	SHOCK ABSORBER W/PIN	2			
2 -1	0015-21020	SOCKET HEAD BOLT 10X20 T	4			
2 -2	0331-21009	TOOTHED LOCK WASHER B M10	4			
3	3671-19050	HANDLE / MTX-80	1			
4 -1	0012-11020	BOLT 10X20 H	4			
4 -2	0302-10250	SW M10	4			
5	9390-10270	STOPPER RUBBER (70) /MT	2			
6	0302-08200	SW M8	2			
7	0203-08060	NUT M8	2			
8	3660-10060	STRAP, TANK CAP	1			
9	3669-00020	CAP ASSY, FUEL TANK / MTX	1			INCL. 8
10	3661-18700	FUEL TANK / MTX-70	1		!3661-18702	OLD TYPE
10	3661-18703	FUEL TANK/MTX-70	1			#1
11 -1	0012-10815	BOLT 8X15 H	3			
11 -2	0302-08200	SW M8	3			
12	9524-01450	WASHER 8.5X22X3	2			
13	0311-08160	PW M8	1			
14	9593-00770	STRAINER #508 / MTX-70	1			
14	9544-06010	STRAINER (#110)	1			PRIMER PUMP
15	3664-59790	PACKING, FUEL TANK /MTX-70	1			
16	3663-45280	HOLDER, FILTER	1			
16	3663-49420	HOLDER FILTER W/V/MTX-70	1			PRIMER PUMP
17	0203-05040	NUT M5	3			
18	0302-05130	SW M5	3			
19	9590-26122	FUEL HOSE L=70 / MTX-70	1			
19	085-10417-80	FUEL HOSE L70/EVP	1	XX		MTX80 T4165-
19	085-10417-80	FUEL HOSE L70/EVP	1			MTX90 S1332-
20	9544-06420	HOSE BAND 10.5	2			
20	056-10800-20	HOSE CLAMP	2	XX		MTX80 T4165-
20	056-10800-20	HOSE CLAMP	2			MTX90 S1332-
22	0091-10037	TAPPING SCREW 5X20	2			
23	0940-10053	PAN HEAD SCREW 4X8	4			#1
40	3669-10030	ROLLER AY, W/SCREW/MTX	1			INCL. 41-43
41	3662-17170	ROLLER / MTX	2			
42	0910-05020	SCREW 5X20	4			
43	0226-10505	FLANGE NUT M5 H	4			
51	9550-10311	TP-22 TACHO/HOUR METER	1			
53	9550-10305	CURL CORD TP-22 / MTX	1			
54	3663-45620	FINISHER, METER / MTX	1			
55	4540-10020	CLAMP TC-100	5			
56	9540-10270	CLIP AB-3N	1			
101	9590-26199	FUEL HOSE/1M	1			L=170
101	085-10418-00	FUEL HOSE L170/EVP	1	XX		MTX80 T4165-
101	085-10418-00	FUEL HOSE L170/EVP	1			MTX90 S1332-
102	9544-06420	HOSE BAND 10.5	4			
102	056-10800-20	HOSE CLAMP	4	XX		MTX80 T4165-
102	056-10800-20	HOSE CLAMP	4			MTX90 S1332-
103	263-65012-A3	FUEL, FILTER CP	1			
104	950014500150M	FUEL HOSE (1M)	1			L=250
104	085-10417-60	FUEL HOSE L260/EVP	1	XX		MTX80 T4165-
104	085-10417-60	FUEL HOSE L260/EVP	1			MTX90 S1332-
106	9594-07720	V, TUBE 11X13X180	1		S!950033600110M	L=180
107	9590-21824	SPIRAL TUBE KEP6/L110	1	AD		MTX80 T4165-
107	9590-21824	SPIRAL TUBE KEP6/L110	1	AD		MTX90 S1332-
110	3669-00060	PRIMER PUMP KIT/NO CARB	1			PRIMER PUMP
111	9590-28301	RETURN HOSE 3X6X600/MTX	1			PRIMER PUMP
112	9544-08170	HOSE CLIP 5	2			PRIMER PUMP
113	9590-21814	SPIRAL TUBE 6D-200L	1		!!9590-21810	PRIMER PUMP
113	9590-21810	SPIRAL TUBE KEP6/L=500	1			PRIMER PUMP

MTX-80 , 90 SPRING CYLINDER, GUIDE CYLINDER

3LU0



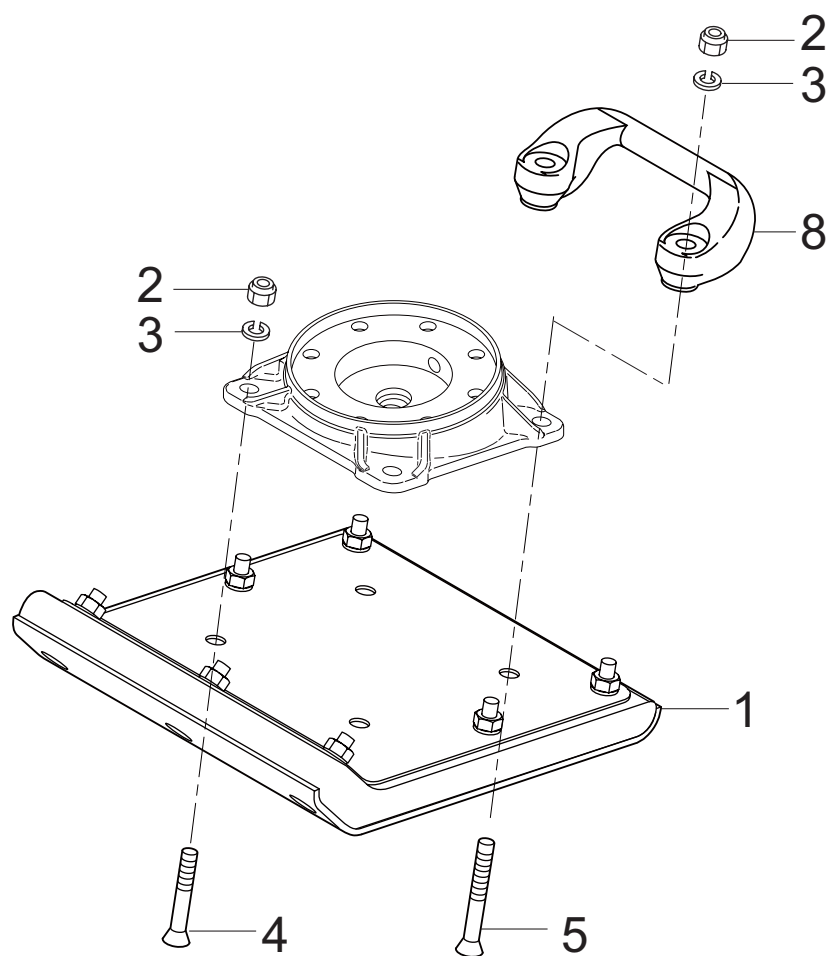
SPRING CYLINDER, GUIDE CYLINDER

** 3LU **

REF NO.	PART NO.	PART NAME	Q' TY	MRK	MK2	REMARKS
1	3664-60100	PISTON PIN / MTX-70	1			
2	3664-59910	PLUG, PISTON PIN / MTX-70	2			
3	3663-46000	PISTON ROD / MTX-70	1			
4	3714-59690	PISTON END/MT-76D, 2HOLE	1			
5 -1	0011-21230	BOLT 12X30 T P1.5	1			
5 -2	0302-12300	SW M12	1			
6	9524-04790	WASHER 13306	1			
7	3554-47260	STOPPER, LOWER /MT-63W	1			
8	3664-59900	STOPPER, BOTTOM / MTX-70	1			
9	3664-59730	MAIN SPRING / MTX-70	2			
12	3663-45990	SPRING CYLINDER / MTX-70	1			
13	3662-17210	FOOT PLATE 12 / MTX-70	1			
14	0501-00900	O-RING G-90	1			
15	0015-21020	SOCKET HEAD BOLT 10X20 T	4			
16	0015-21040	SOCKET HEAD BOLT 10X40 T	4			
17	9534-05270	PLUG 1/4X14 13L	1			
18	9534-05260	PACKING 1/4 (CU)	1			
20	3662-17440	GUIDE CYLINDER / MTX-70	1			MTX-70/80
20	3672-17450	GUIDE CYLINDER / MTX-90	1			MTX-90
21	0507-10070	O-RING AS568-344	1			
22	0022-11035	BOLT 10X35 H, SW	4			MTX-70/80
22	0022-11045	BOLT 10X45 H, SW	4			MTX-90
23	3540-10010	BELLOWS, ORANGE/MT-70V, 63W	1			
24	0509-31500	O-RING JASO3150	2			
25	3543-36352	BELLOWS CLAMP(1.6T)171D	2			
26	3544-42340	BAND GUIDE, BELLOWS /MT68	2			
27	0012-20840	BOLT 8X40 T	2			
28	0203-08060	NUT M8	2			
29	3544-46170	PIN 6D-8.5L	2			
30	9534-05270	PLUG 1/4X14 13L	1			
31	9534-05260	PACKING 1/4 (CU)	1			
32	0502-00950	O-RING P-95	1			
51	3661-18590	PROTECTION SLEEVE/MTX-70E	1			
52	3664-60300	OIL GAUGE ASSY / MTX	1			
53	9534-04670	COPPER PACKING 17X25.5X1	1			

MTX-80 , 90
FOOT

3LV0

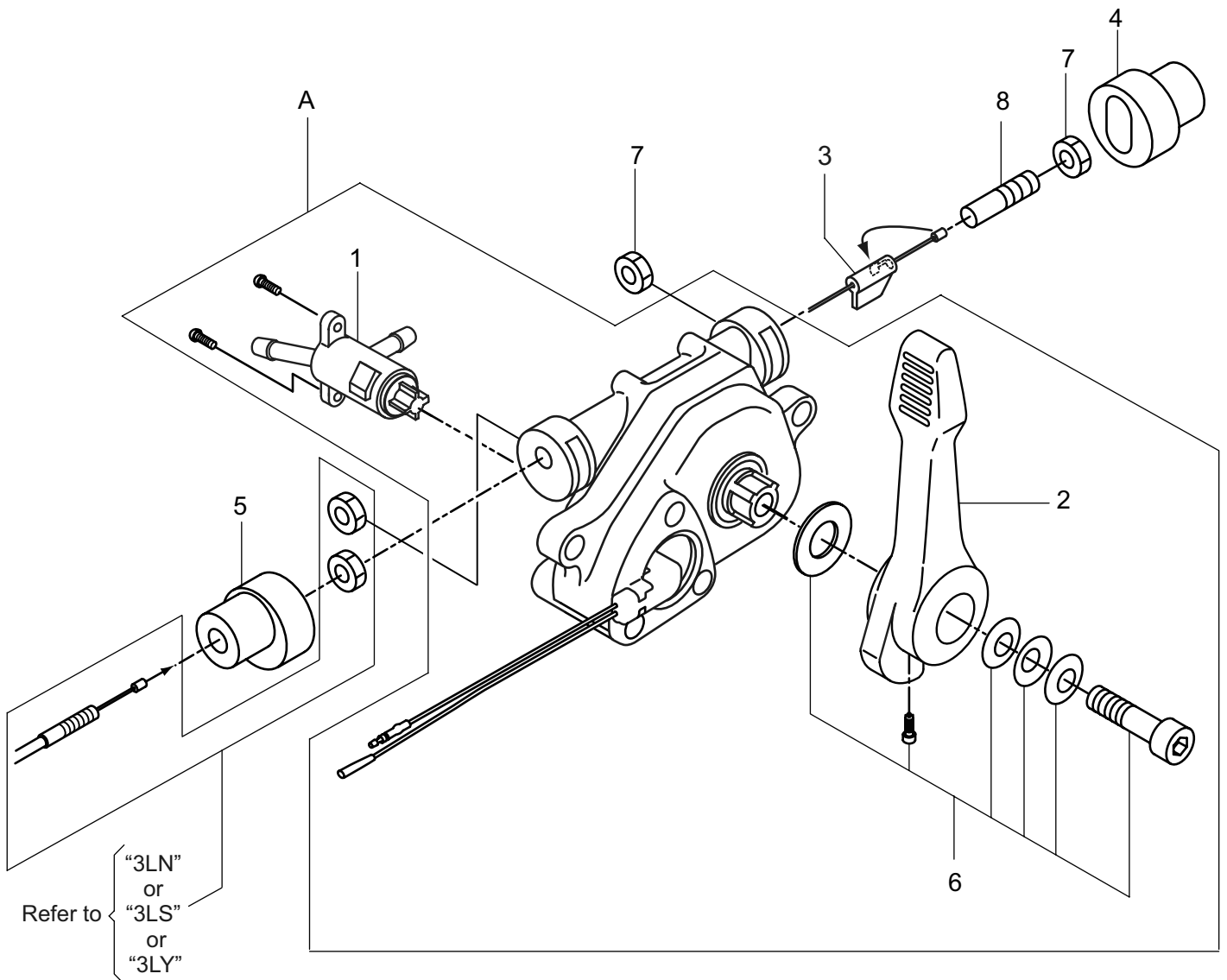


MTX-60 , 70 , 80 , 90

3LW0

COMBINATION LEVER / コンビネーションレバー

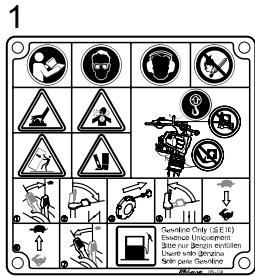
OLD (旧型)	NEW (新型)
MTX-60 : ~ T2216	MTX-60 : T2217 ~
MTX-70 : ~ T3432	MTX-70 : T3433 ~
MTX-80 : ~ T1270	MTX-80 : T1271 ~
MTX-90 : ~ T1092	MTX-90 : T1093 ~



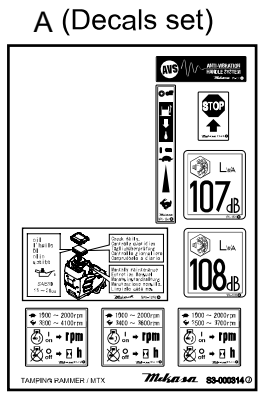
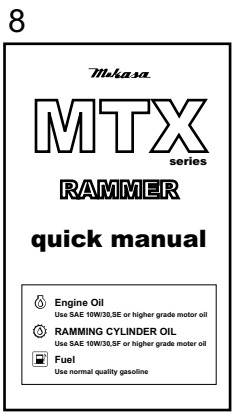
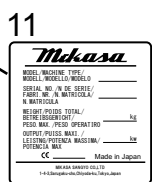
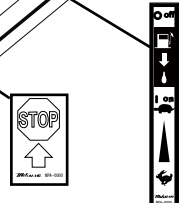
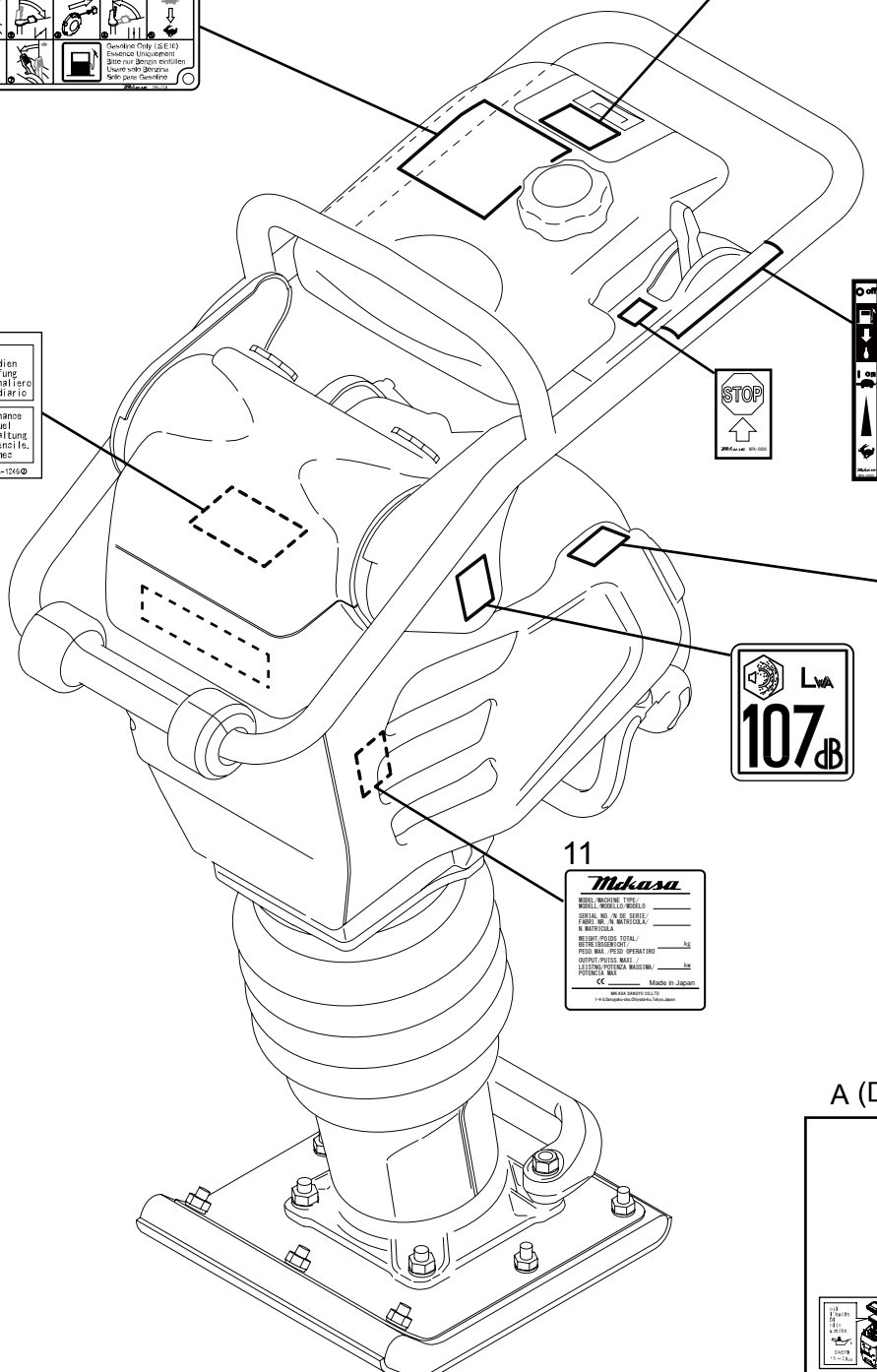
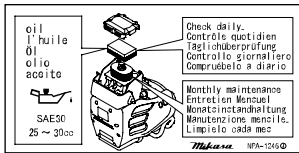
MTX-60, 70, 80, 90 NAME PLATE,DECALS

3MMO

MTX-70: S2197 ~
MTX-80: S1139 ~
MTX-90: S1066 ~



MTX-60,70	MTX-80	MTX-90
1900 ~ 2000rpm 3800 ~ 4100rpm	1900 ~ 2000rpm 3400 ~ 3600rpm	1900 ~ 2000rpm 3500 ~ 3700rpm
on → rpm off → h	on → rpm off → h	on → rpm off → h
Makasa MA 124G	Makasa MA 126G	Makasa MA 128G





MIKASA SANGYO CO.,LTD.

HEAD OFFICE
NO. 4-3. 1-CHOME, SARUGAKU-CHO, CHIYODA-KU
TOKYO, JAPAN